



▶ Integrator's Reference Manual
for Polycom® HDX® Systems

Trademark Information

Polycom®, the Polycom “Triangles” logo, and the names and marks associated with Polycom’s products are trademarks and/or service marks of Polycom, Inc., and are registered and/or common-law marks in the United States and various other countries.

All other trademarks are the property of their respective owners.

Patent Information

The accompanying product may be protected by one or more U.S. and foreign patents and/or pending patent applications held by Polycom, Inc.

Customer Feedback

We are constantly working to improve the quality of our documentation, and we would appreciate your feedback. Please send email to videodocumentation@polycom.com.

© 2011 Polycom, Inc. All rights reserved.

Polycom, Inc.
4750 Willow Road
Pleasanton, CA 94588-2708
USA

No part of this document may be reproduced or transmitted in any form or by any means, electronic or mechanical, for any purpose, without the express written permission of Polycom, Inc. Under the law, reproducing includes translating into another language or format.

As between the parties, Polycom, Inc., retains title to and ownership of all proprietary rights with respect to the software contained within its products. The software is protected by United States copyright laws and international treaty provision. Therefore, you must treat the software like any other copyrighted material (e.g., a book or sound recording).

Every effort has been made to ensure that the information in this manual is accurate. Polycom, Inc., is not responsible for printing or clerical errors. Information in this document is subject to change without notice.

About This Guide

The Integrator's Reference Manual for Polycom® HDX® Systems is for system integrators who need to configure, customize, manage, and troubleshoot Polycom HDX systems. The API commands in this guide are applicable to the Polycom HDX 9000 series, Polycom HDX 8000 HD series, Polycom HDX 7000 HD series and Polycom HDX 6000 HD series systems.

Contents

About This Guide	iii
-------------------------------	------------

1 Room Integration

Setting Up a Room for Video Conferencing	1-1
Room Layout Examples	1-1
Setting Up the Room for Polycom People On Content™	1-3
Polycom HDX Installation Precautions	1-4
Integrating Video	1-5
Connecting Polycom Cameras	1-5
Connecting Sony and ELMO Cameras	1-17
Connecting Vaddio and Canon Cameras	1-19
Integrating Audio and Content	1-21
Connecting a Computer to a Polycom HDX 9000 Series System ..	1-21
Connecting a Vortex® Mixer to a Polycom HDX 9000 Series System	1-25
Connecting a Polycom SoundStructure C-Series Mixer to a Polycom HDX 9000 Series System	1-26

2 Cables

Network Cables	2-1
CAT 5e LAN Cable	2-1
LAN Cable	2-3
Polycom Touch Control LAN Cable	2-4
ISDN Cable	2-5
Analog Telephone (POTS) Cable	2-7
V.35/RS-449/RS-530 Serial Adapter	2-8
V.35 NIC Cable	2-9
V.35 and RS-366 Serial Cable	2-10
RS-449 and RS-366 Serial Cable	2-11
RS-530 with RS-366 Serial Cable	2-13
Polycom Touch Control Power Adapter	2-15
Video and Camera Cables	2-16

S-Video Cable	2-16
BNC to S-Video Cable	2-17
BNC to S-Video Adapter	2-18
S-Video to RCA Adapter	2-19
DVI to VGA Monitor Cable	2-20
HDMI Monitor Cable	2-21
BNC Monitor Adapter Cable	2-22
Polycom HDX Component Monitor Cable	2-23
HDX Component Video Cable	2-24
DVI-D Monitor Cable	2-25
Component A/V Monitor Cable	2-26
HDCI Analog Camera Cable	2-27
HDCI Polycom EagleEye Director Camera Cable	2-28
HDCI Camera Break-Out Cable	2-30
VCR/DVD Composite Cable	2-31
Composite Video Cable	2-32
PowerCam Plus Primary Cable	2-33
HDCI PowerCam Cable	2-34
HDCI PowerCam Plus Adapter Cable	2-35
HDCI VISCA Adapter Cable	2-36
HDCI Polycom EagleEye 1080 Camera Cable	2-37
HDCI Polycom EagleEye View Camera Cable	2-38
HDCI Sony VISCA Adapter Cable	2-39
HDCI EagleEye 1080 or Sony Adapter Cable	2-40
PowerCam Primary Camera Cable	2-41
PowerCam Break-Out Cable	2-42
PowerCam Plus/VISCA Control Cable	2-43
People+Content Cable	2-45
Audio Cables	2-46
Polycom HDX Microphone Host Cable	2-46
Polycom HDX Microphone Array Cable	2-48
Polycom HDX Microphone Array Cable Adapter	2-49
Polycom HDX Ceiling Microphone Adaptor Cable	2-50
Custom Cabling for Polycom HDX Microphones	2-51
Audio Adapter Cable	2-54
Audio Cable	2-55
Vortex Cable	2-56
3.5mm Screw Cage Connector	2-57
Subwoofer Volume Attenuator	2-58

Polycom EagleEye Director Audio Feedback Phoenix to Phoenix Cable	2-59
Serial Cables	2-60
Straight-Through Serial Cable	2-60
Null Modem Adapter	2-62

3 Using the API

Using the API with an RS-232 Interface	3-1
Configuring the RS-232 Interface	3-1
Starting an API Session using an RS-232 Interface	3-3
Using the API with the Maximum Security Profile Enabled	3-4
Using the API with a LAN Connection	3-4
Using the API Controller Code	3-4
Additional API Resources	3-5
Technical Support Contact Information	3-5
Feature Enhancement Request Web Site	3-5
Video Test Numbers	3-5
Knowledge Base	3-5

4 System Commands

About the API Commands	4-2
Syntax Conventions	4-2
Availability of Commands	4-2
Command Response Syntax	4-3
Commands that Restart the System	4-5
Additional Tips	4-5
!	4-7
abk (deprecated)	4-9
addrbook	4-12
addressdisplayedingab	4-14
advnetstats	4-15
alertusertone	4-17
alertvideotone	4-18
all register	4-19
all unregister	4-21
allowabkchanges	4-22
allowcamerapresetssetup	4-23
allowdialing	4-24
allowmixedcalls	4-25
allowusersetup	4-26

amxdd	4-27
answer	4-28
areacode	4-29
audiometer	4-30
audiotransmitlevel	4-32
autoanswer	4-34
autoshowcontent	4-35
backlightcompensation	4-36
basicmode	4-37
bri1enable, bri2enable, bri3enable, bri4enable	4-38
briallenable	4-39
button	4-40
calendardomain	4-44
calendarmeetings	4-45
calendarpassword	4-50
calendarplaytone	4-51
calendarregisterwithserver	4-52
calendarremindertime	4-53
calendarresource	4-54
calendarserver	4-55
calendarshowpvtmeetings	4-56
calendarstatus	4-57
calendaruser	4-58
calldetail	4-59
calldetailreport	4-60
callinfo	4-61
callstate	4-62
callstats	4-64
camera	4-65
cameradirection	4-69
camerainput	4-70
chaircontrol	4-71
clientvalidatepeercert	4-73
cmdecho	4-74
colorbar	4-75
configchange (deprecated)	4-76
configdisplay	4-77
configparam	4-79
configpresentation	4-80
confirmdiradd	4-82

confirmdir	4-83
contentauto	4-84
contentsplash	4-85
contentvideoadjustment	4-86
country	4-87
cts	4-88
daylightsavings	4-89
dcd	4-90
dcdfilter	4-91
defaultgateway	4-92
destunreachbletx	4-93
dhcp	4-94
dial	4-95
dialchannels	4-99
diffservaudio, diffservfec, diffservvideo	4-100
directory	4-101
display (deprecated)	4-102
displayglobaladdresses	4-104
displaygraphics	4-105
displayipext	4-106
displayipidninfo (deprecated)	4-107
displayparams	4-108
dns	4-110
dsr	4-111
dsranswer	4-112
dtr	4-113
dualmonitor	4-114
dynamicbandwidth	4-115
e164ext	4-116
echo	4-117
echocanceller	4-118
echoreply	4-119
enablefirewalltraversal	4-120
enablekeyboardnoisereduction	4-121
enablelivemusicmode	4-122
enablepvec	4-123
enablersvp	4-124
enablesnmp	4-125
encryption	4-126
exit	4-128

exportdirectory	4-129
exportprofile	4-131
farcontrolnearcamera	4-133
farnametimedisplay	4-134
flash	4-135
gabk (deprecated)	4-136
gabpassword	4-139
gabserverip	4-140
gaddrbook	4-141
gatekeeperip	4-144
gatewayareacode	4-145
gatewaycountrycode	4-146
gatewayext	4-147
gatewaynumber	4-148
gatewaynumbertype	4-149
gatewayprefix	4-150
gatewaysetup	4-151
gatewaysuffix	4-152
gdsdirectory	4-153
gential	4-154
gentialtonepots (deprecated)	4-155
generatetone	4-156
get screen	4-157
getcallstate	4-158
getconfiguredipaddress	4-159
gmscity	4-160
gmscontactemail	4-161
gmscontactfax	4-162
gmscontactnumber	4-163
gmscontactperson	4-164
gmscountry	4-165
gmsstate	4-166
gmstechsupport	4-167
gmsurl	4-168
h239enable	4-169
h323name	4-170
h331audiomode	4-171
h331dualstream	4-172
h331framerate	4-173
h331videoformat	4-174

h331videoprotocol	4-175
hangup	4-176
history	4-177
homecallquality	4-178
homemultipoint (deprecated)	4-179
homerecentcalls	4-180
homesystem	4-181
homesystemname	4-182
hostname	4-183
icmpoutpacketrates	4-185
ignoreredirect	4-186
importdirectory	4-187
importprofile	4-190
incompleterevoationcheck	4-192
ipaddress	4-193
ipdialspeed	4-194
ipisdninfo	4-196
ipprecaudio, ipprefec, ipprecvideo	4-197
ipv6addrmode	4-198
ipv6globaladdress	4-199
ipv6defaultgateway	4-200
ipv6linklocal	4-201
ipv6sitelocal	4-202
ipstat	4-203
isdnareacode	4-204
isdncountrycode	4-205
isdndialingprefix	4-206
isdndialspeed	4-207
isdnum	4-209
isdnswhitch	4-210
keypadaudioconf	4-211
language	4-212
lanport	4-213
ldapauthenticationtype	4-214
ldapbasedn	4-215
ldapbinddn	4-216
ldapdirectory	4-217
ldapntlmomain	4-218
ldappassword	4-219
ldapsveraddress	4-220

ldapserversport	4-221
ldapsslenabled	4-222
ldapusername	4-223
linestate	4-224
listen	4-225
localdatetime	4-226
loginwindowduration	4-227
marqueedisplaytext	4-228
maxgabinternationalcallspeed	4-229
maxgabinternetcallspeed	4-230
maxgabisdncallspeed	4-231
maxtimeincall	4-232
mcupassword	4-233
meetingpassword	4-234
monitor1 (deprecated)	4-235
monitor1screensaveroutput	4-236
monitor2 (deprecated)	4-237
monitor2screensaveroutput	4-238
mpautoanswer	4-239
mpmode	4-240
mtumode	4-242
mtusize	4-243
mute	4-244
muteautoanswer	4-245
natconfig	4-246
nath323compatible	4-247
nearloop	4-248
netstats	4-249
nonotify	4-250
notify	4-251
ntpmode	4-254
ntpsecondaryserver	4-255
ntpserver	4-256
numberofmonitors (deprecated)	4-257
numdigitsdid	4-258
numdigitsext	4-259
ocsdirectory	4-260
oobcomplete	4-262
pause	4-263
peoplevideoadjustment	4-264

phone	4-265
pip	4-266
popupinfo	4-268
preset	4-269
pricallbycall	4-271
prichannel	4-272
pricsu	4-274
pridialchannels	4-275
priintlprefix	4-276
prilinebuildout	4-277
prilinesignal	4-278
prinumberingplan	4-279
prioutsideline	4-280
priswitch	4-281
reboot	4-282
recentcalls	4-283
registerall (deprecated)	4-284
registerthissystem	4-285
remotecontrol	4-286
remotemonenable	4-287
requireacctnumtodial	4-288
resetsystem	4-289
roomphonenumber	4-291
rs232 baud, rs232port1 baud	4-292
rs232 mode, rs232port1 mode	4-293
rs366dialing	4-295
rt	4-296
rts	4-297
screen	4-298
screencontrol	4-299
serialnum	4-300
servvalidatepeercert	4-301
session	4-302
sessionsenabled	4-303
setaccountnumber	4-304
setpassword	4-305
showpopup	4-306
sleep	4-307
sleeptext	4-308
sleeptime	4-309

snmpadmin	4-310
snmpcommunity	4-311
snmpconsoleip	4-312
snmplocation	4-313
snmpsystemdescription	4-314
snmptrapversion	4-315
soundeffectsvolume	4-316
spidnum	4-317
st	4-319
sslverificationdepth	4-320
subnetmask	4-321
sysinfo	4-322
systemname	4-323
systemsetting telnetenabled	4-324
tcpports	4-325
techsupport	4-326
teleareacode	4-327
telenumber	4-328
telnetechoeol	4-329
timediffgmt	4-330
typesofservice	4-331
udpports	4-332
unregisterall (deprecated)	4-333
usefixedports	4-334
usegatekeeper	4-335
usepathnavigator	4-336
useroompassword	4-338
v35broadcastmode	4-339
v35dialingprotocol	4-340
v35num	4-341
v35portsused	4-343
v35prefix	4-344
v35profile	4-345
v35suffix	4-346
validateacctnum	4-347
vcbutton	4-348
vcraudioout	4-351
vcrecordsource	4-352
version	4-353
vgaqualitypreference	4-354

videocallorder	4-355
voicecallorder	4-356
volume	4-357
vortex	4-359
waitfor	4-361
wake	4-362
wanipaddress	4-363
webmonitoring	4-364
webport	4-365
whitelistenabled	4-366
whoami	4-367

A Room Design and Layout

Room Requirements	A-1
Walls	A-3
Windows	A-3
Ceiling Tiles	A-4
Air Conditioning	A-4
Interior Design and Finishes	A-5
Furniture	A-5
Acoustics	A-5
Room Lighting	A-6
Light Fixtures	A-7
Room Preparation Conclusion	A-8
Audio Elements	A-8
Audio Input	A-8
Audio Output	A-10
Direction	A-10
Power	A-10
Range/Frequency Response	A-11
Video Elements	A-11
Video Projection for Use in Videoconference	A-12
Cameras	A-12
Room Control Elements	A-13

B Status Messages

Status Display	B-1
B Channel Status Message Example	B-1

C Polycom HDX 9000 Series Specifications

Back Panel Information	C-1
Inputs/Outputs	C-1
Audio Specifications	C-1
DTMF Dialing	C-2
Remote Control	C-3
RS-232 Serial Interface	C-6

D Secure RS-232 Interface API Permissions

API Permissions Table	D-1
-----------------------------	-----

E Categorical List of API Commands

Local Directory Commands	E-2
Call Function Commands	E-2
Calling Commands	E-2
Call Status Request	E-2
Call Logging Data	E-2
Call Registrations	E-2
Call Account Settings	E-3
Call Preference Settings	E-3
Conference Setting Commands	E-3
Conference Settings	E-3
Conference Password Settings	E-3
Chair Control Commands	E-4
Global Services Commands	E-4
Calendar Commands	E-4
GAB and GDS Commands	E-4
GMS Commands	E-4
LDAP Commands	E-5
SNMP Commands	E-5
OCS Commands	E-5
LAN, WAN, and IP Commands	E-5
H323 Commands	E-5
Gatekeeper Commands	E-6
Gateway Commands	E-6
LAN and WAN Commands	E-6
Network and QoS Commands	E-7
Network Security Commands	E-7
H320, POTS and Miscellaneous Network Commands	E-7

ISDN - Global Commands E-7

ISDN - BRI Commands E-8

ISDN - PRI Commands E-8

V35 Commands E-8

POTS Commands E-9

Miscellaneous Network Commands E-9

Video and Audio Commands E-9

 Audio Commands E-9

 Content Commands E-10

 Camera Control/Input Select Commands E-10

 Camera Input Setting Commands E-10

 Monitor Video Output Setting Commands E-10

Registration Commands E-11

System Commands E-11

 System Setting Commands E-11

 Query Commands for System Information E-12

 Diagnostic Commands E-12

User Interface and System Display/Sound Commands E-12

 Sound Setting Commands E-12

 Display Setting Commands E-12

 IR Emulation Commands and Control E-13

Miscellaneous Commands E-13

Index Index-1

Room Integration

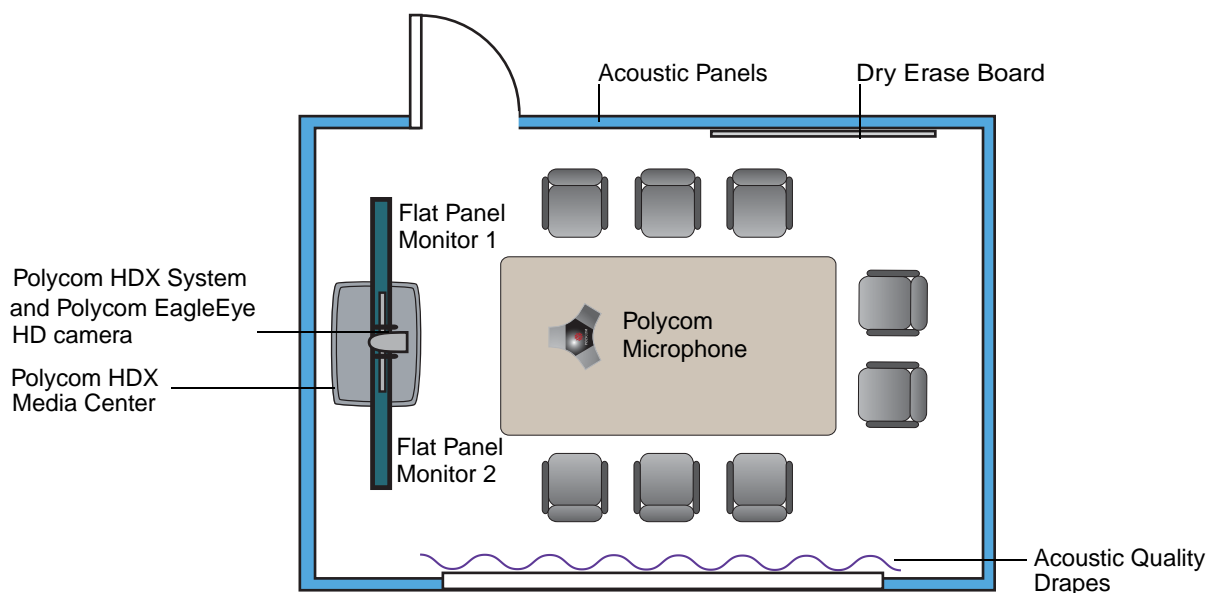
Setting Up a Room for Video Conferencing

For detailed information about setting up a room for video conferencing, refer to [Room Design and Layout](#) on page A-1.

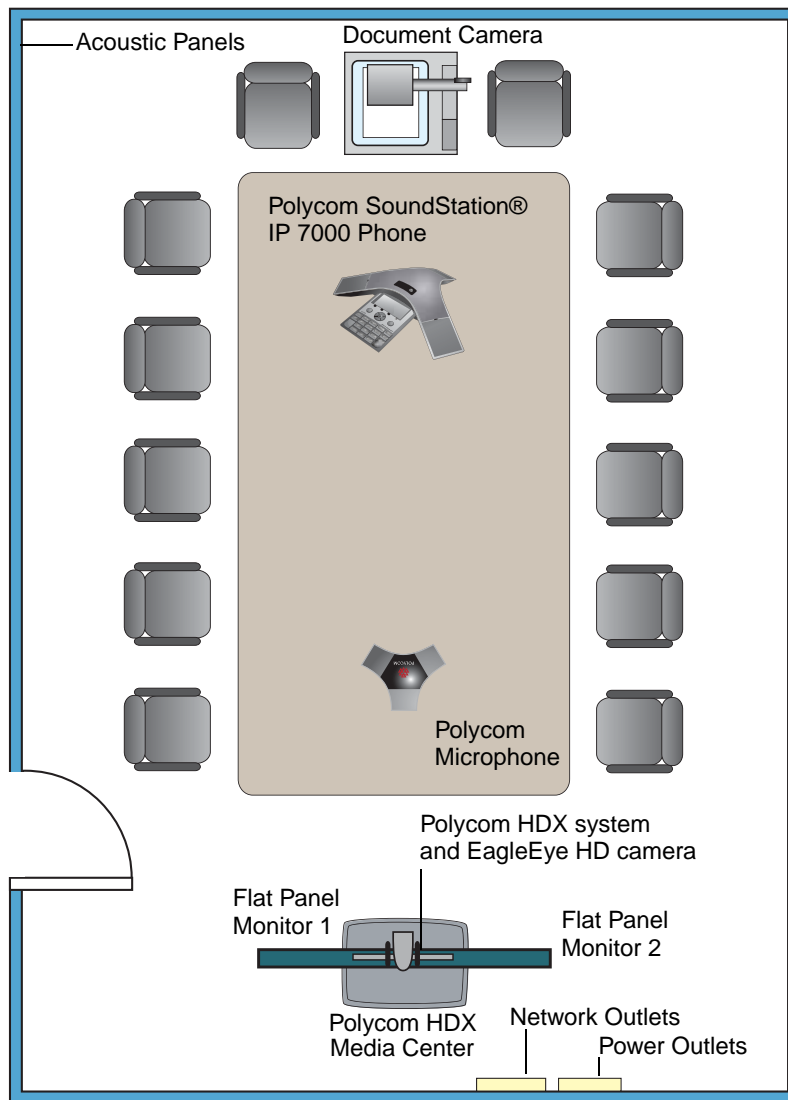
Room Layout Examples

Use the following diagrams as examples for setting up a conference room with Polycom HDX systems. Polycom recommends that you contract an experienced contractor to ensure all the components operate as a single cohesive system.

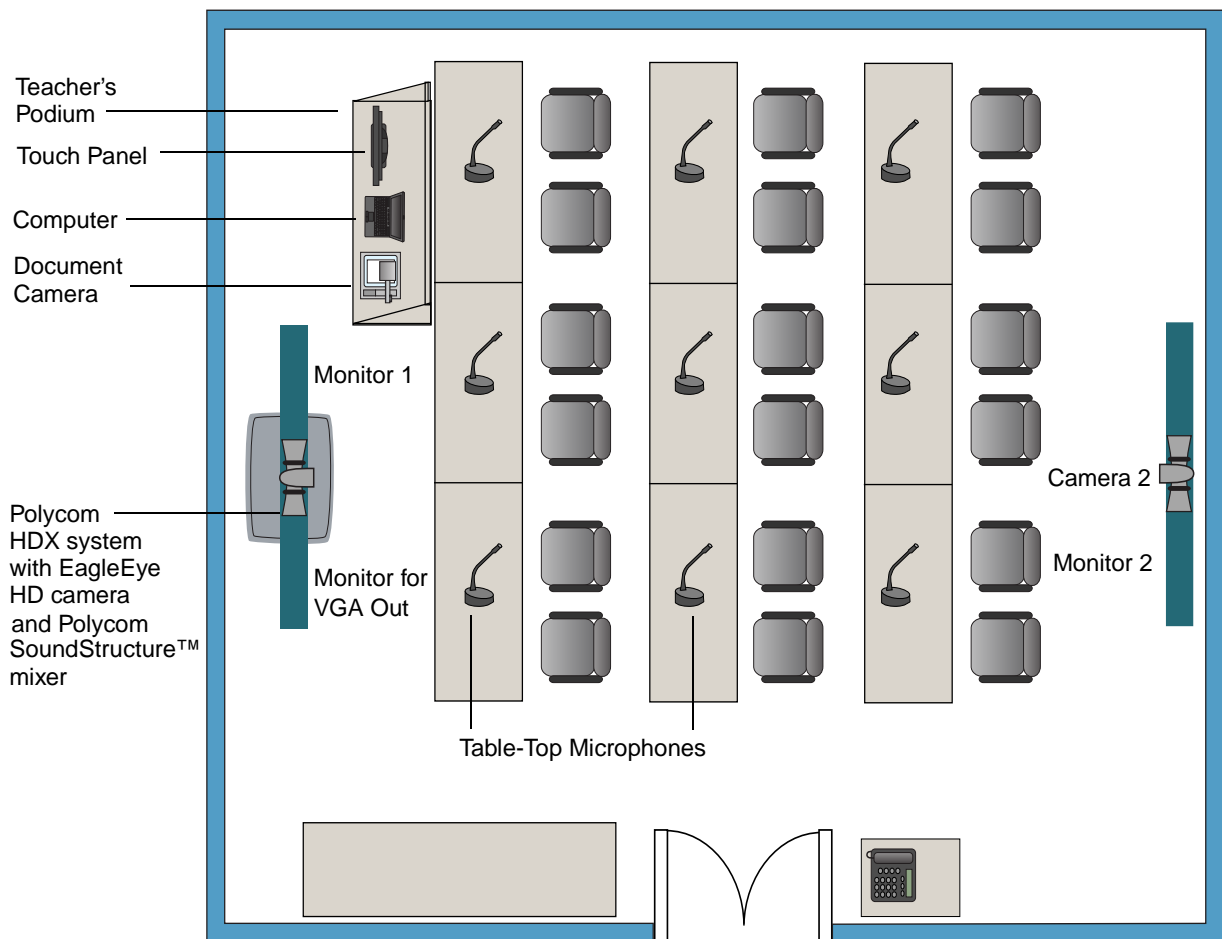
Small Conference Room



Large Conference Room



Classroom

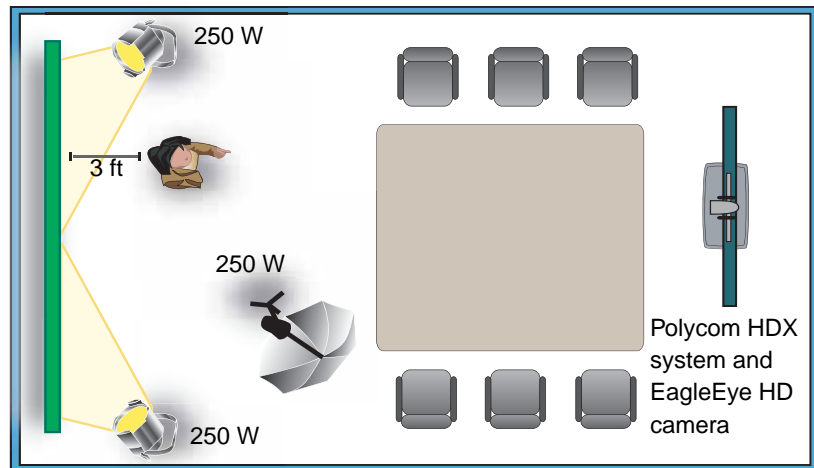


Setting Up the Room for Polycom People On Content™

For the best results, follow these guidelines for setting up Polycom People On Content™:

- Use the Polycom EagleEye HD camera with Polycom HDX 9000 series and Polycom HDX 8000 series systems. Polycom recommends using a Polycom EagleEye II, Polycom EagleEye III, Polycom EagleEye HD or Polycom EagleEye HD 1080 camera with People on Content. If you are using a Polycom EagleEye 1080 or Polycom EagleEye View camera, activating People on Content automatically reduces the resolution to 720p.
- Create a flat, consistent background color using a screen or matte-finish paint in green or blue. Make sure the background has no shadows or glare.

- Make sure that the background and the presenter are well lit. For example, use a minimum of two 250 W halogen lights on the background and one on the presenter.
- Experiment with different room and lighting arrangements until the best results are achieved.

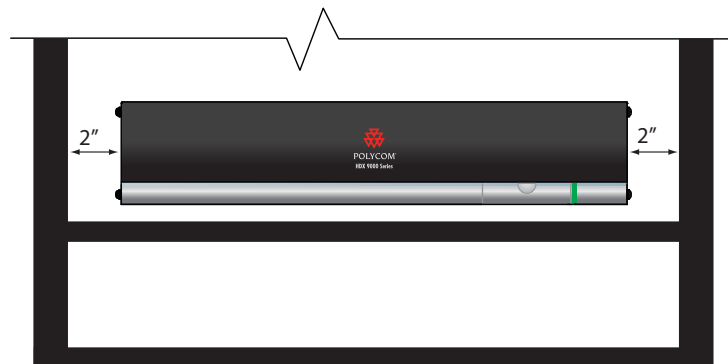


You can find more information about configuring and using People On Content in the *User's Guide for Polycom HDX Systems* and in the Knowledge Base on the Polycom web site.

Polycom HDX Installation Precautions

If you place the Polycom HDX series system in a cart or credenza, ensure that there is proper ventilation for maintaining an ambient temperature of 40°C or lower.

Polycom recommends ventilation gaps of at least 2 inches (50.80 mm) on the left and right of the system with appropriate access to fresh air.



Integrating Video

The following sections describe how to connect cameras to Polycom HDX systems. After you connect a camera to a Polycom HDX system, refer to the Administrator's Guide for Polycom HDX Systems for information about configuring the camera options in the user interface.

Connecting Polycom Cameras

You can connect Polycom HDX systems to a Polycom EagleEye 1080, Polycom EagleEye HD, Polycom EagleEye View, Polycom EagleEye II, Polycom EagleEye III, Polycom EagleEye Director, Polycom PowerCam™, or PowerCam Plus camera from Polycom, or to other supported cameras. Refer to the release notes for the software release installed on the Polycom HDX system for a list of supported PTZ cameras.



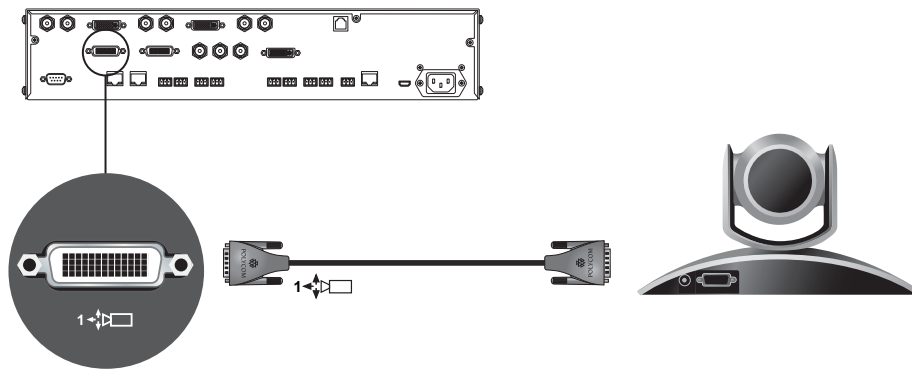
Points to Note about Polycom Cameras:

- The Polycom EagleEye HD connection diagrams can be applied to Polycom EagleEye II cameras on Polycom HDX 9006 systems only. The diagrams can also be applied to EagleEye III cameras on all Polycom HDX 9000 series systems.
- Polycom HDX 6000 series, Polycom HDX 7000 series, and Polycom HDX 8000 series systems *must* be connected to one of the Polycom EagleEye cameras to receive signals from the remote control. Point the remote control at the camera to control those Polycom HDX systems.

Polycom EagleEye HD Camera as the Main Camera up to 30 ft Away

You can connect a Polycom EagleEye HD camera (part number 8200-23600-001, 8200-23610-001, 8200-08270-xxx, or 8200-08260-xxx) to a Polycom HDX 9000 Series system as the main camera using:

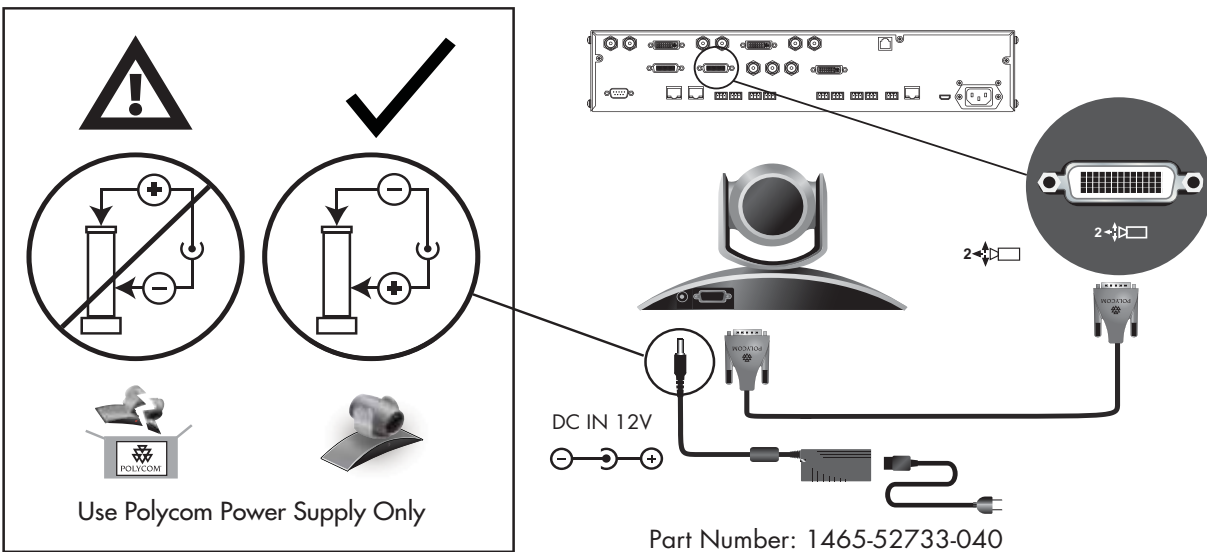
- [HDCI Analog Camera Cable](#) on page 2-27.



Polycom EagleEye HD Camera as the Second Camera up to 30 ft Away

You can connect a Polycom EagleEye HD camera (part number 8200-23600-001, 8200-23610-001, 8200-08270-xxx, or 8200-08260-xxx) to a Polycom HDX 9000 Series system as the second camera using:

- [HDCI Analog Camera Cable](#) on page 2-27.
- Power supply. Use only the approved power supply from Polycom (part number 1465-52748-040). Do not exceed 12 Volts at 3 Amps. Verify the polarity of the power supply as shown on the Polycom camera next to the power supply input.



Polycom EagleEye HD Camera as the Main or Second Camera up to 100 ft Away

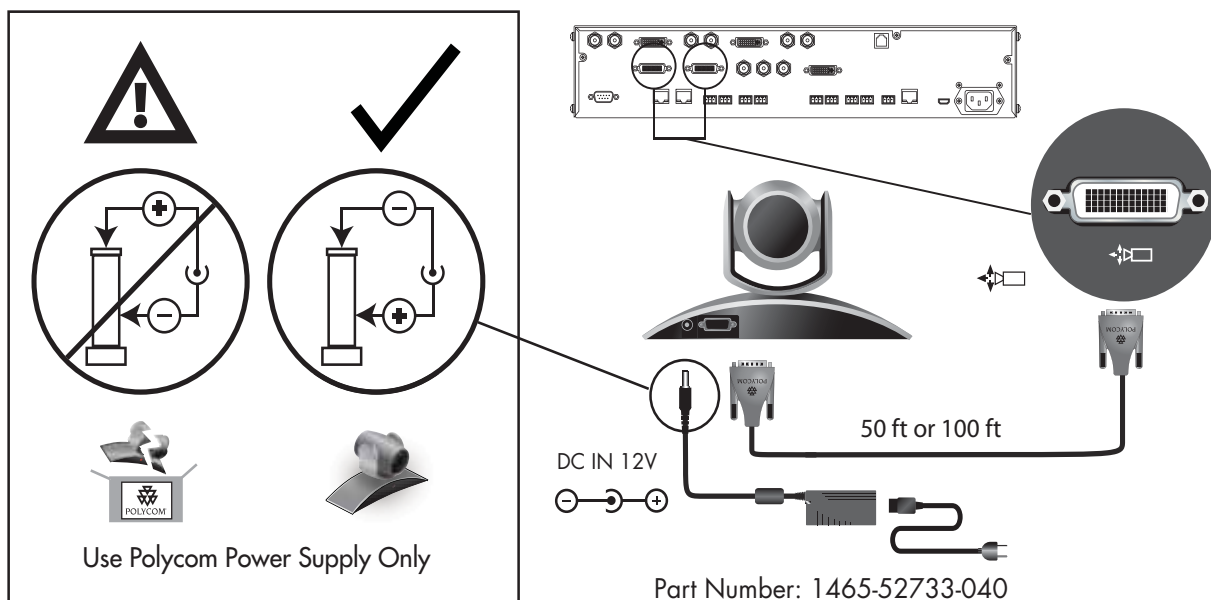
To connect a Polycom EagleEye HD camera (part number 8200-23600-001, 8200-23610-001, 8200-08270-xxx, 8200-08260-xxx, or 7200-25689-xxx) to a Polycom HDX 9000 Series system more than 30 ft away:

Option 1

- [HDCI Analog Camera Cable](#) on page 2-27.
- Power supply. Use only the approved power supply from Polycom (part number 1465-52748-040). Do not exceed 12 Volts at 3 Amps. Verify the polarity of the power supply as shown on the Polycom camera next to the power supply input.



Polycom recommends this configuration when a custom cable length is not required.

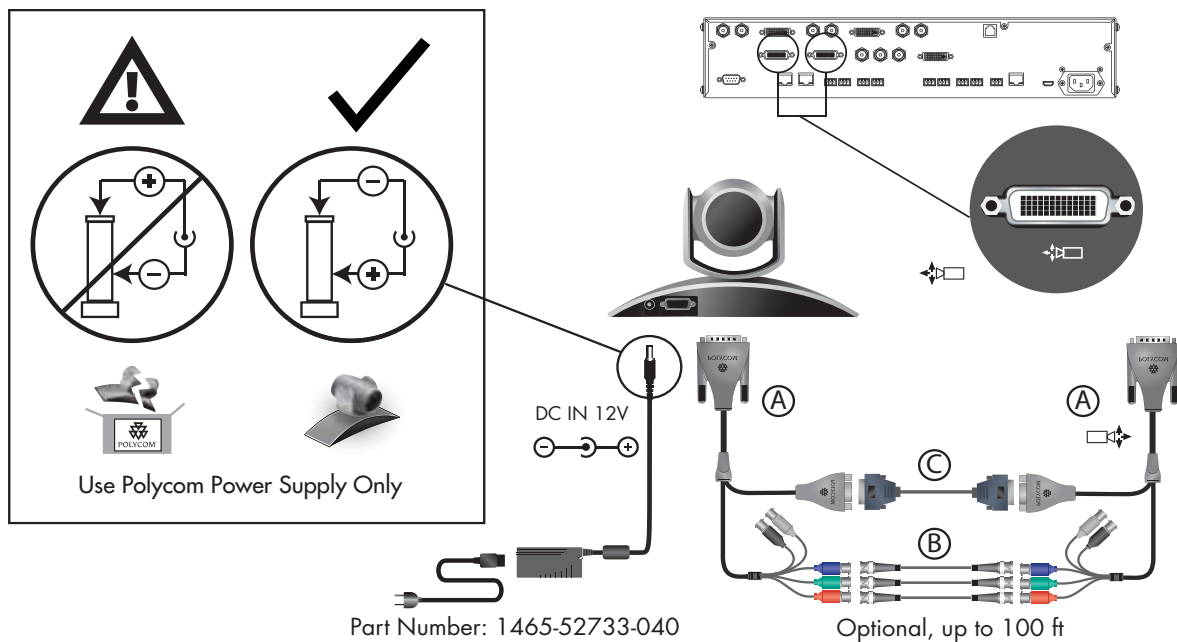


Option 2

- A—Two [HDCI Camera Break-Out Cable](#) on page 2-30.
- B—Coaxial analog video cables.
- C—DB-9 serial cable.
- Power supply. Use only the approved power supply from Polycom (part number 1465-52748-040). Do not exceed 12 Volts at 3 Amps. Verify the polarity of the power supply as shown on the Polycom camera next to the power supply input.



Polycom recommends this configuration when a custom cable length is required. The BNC and serial cables can be built to custom lengths.



Polycom EagleEye 1080 or Sony EVI-HD1 PTZ as the Main or Second Camera

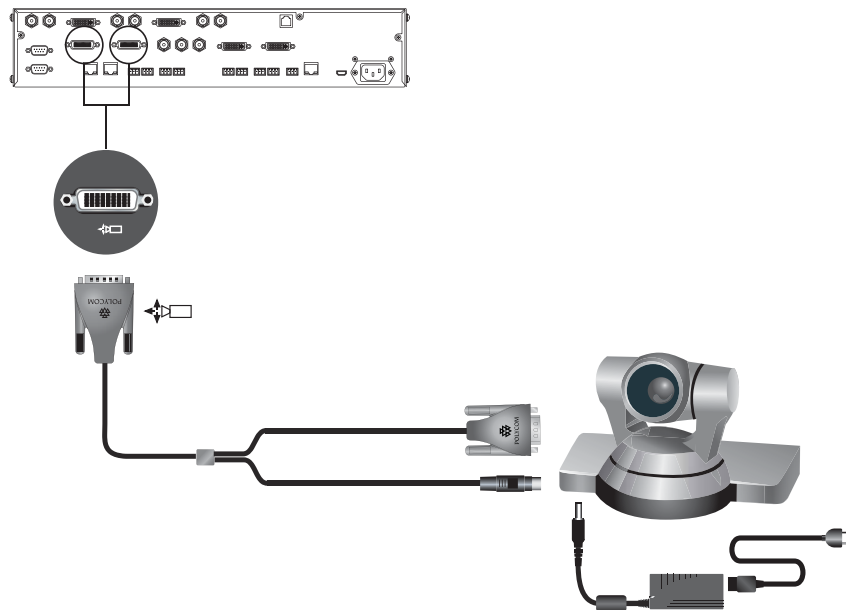
You can connect a Polycom EagleEye 1080 or Sony EVI-HD1 PTZ camera to a Polycom HDX 9000 Series system as the main or second camera using:

Option 1

- [HDCI Polycom EagleEye 1080 Camera Cable](#) on page 2-37 (this cable is compatible with the Sony EVI-HD1 PTZ camera).



Polycom recommends this configuration when a custom cable length is required.

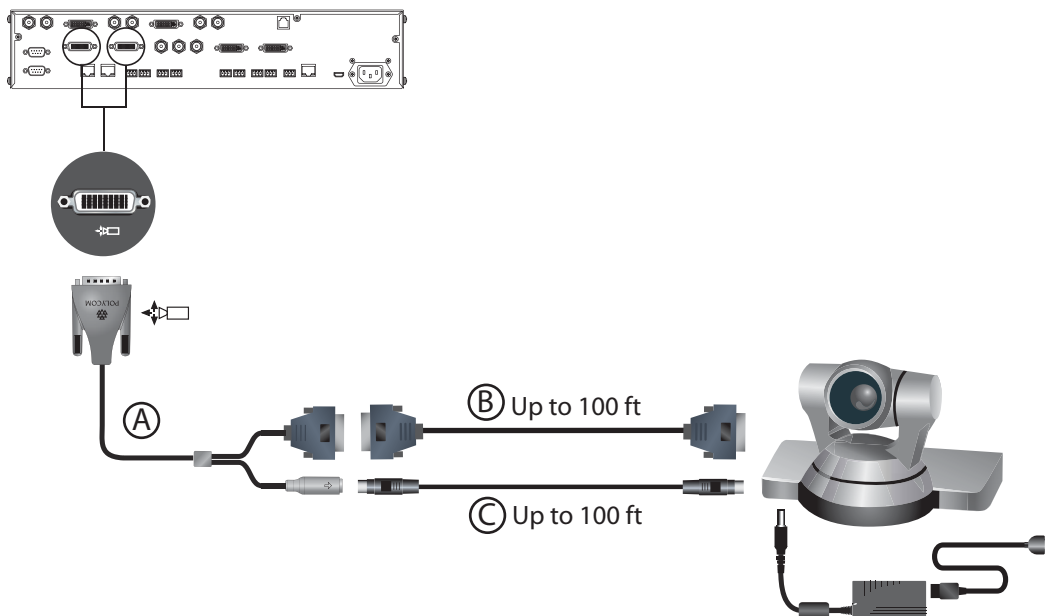


Option 2

- A— [HDCI Sony VISCA Adapter Cable](#) on page 2-39.
- B—VGA cable.
- C—VISCA cable.



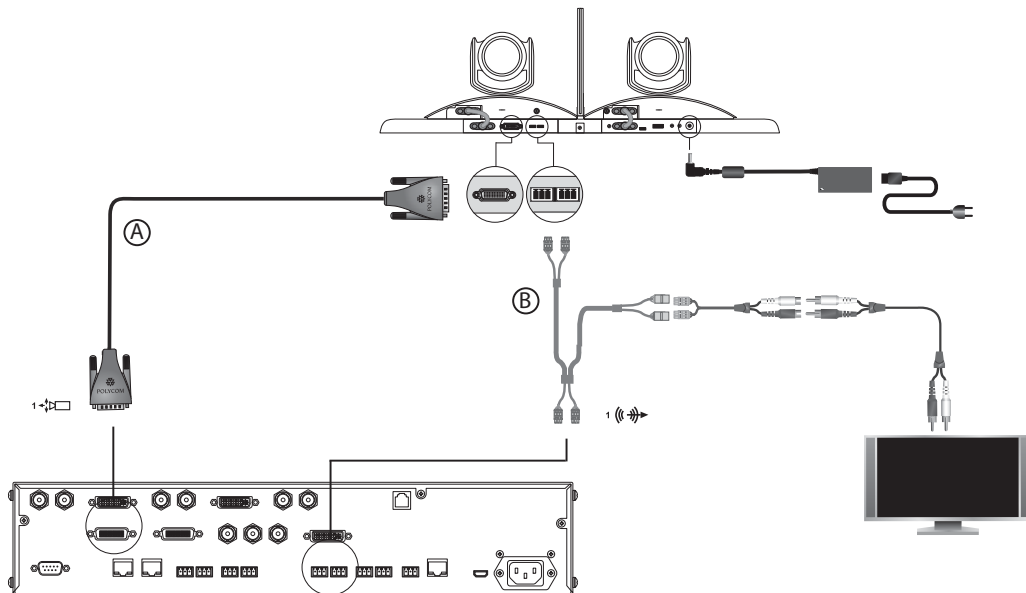
Polycom recommends this configuration when a custom cable length is required.



Polycom EagleEye Director as the Main Camera or Second Camera

You can connect a Polycom EagleEye Director (part number 7200-82632-xxx, 7200-82631-xxx, or 2200-82559-xxx) to a Polycom HDX 9001, Polycom HDX 9002, or Polycom HDX 9004 system as the main camera using:

- A—HDCI Analog Camera Cable on page 2-27.
- B—Polycom EagleEye Director Audio Feedback Phoenix to Phoenix Cable on page 2-59.

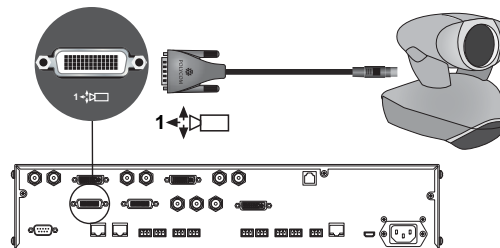


PowerCam as the Main Camera up to 10 ft Away

You can connect a PowerCam (part number 2215-50370-001) to a Polycom HDX 9001, Polycom HDX 9002, or Polycom HDX 9004 system as the main camera up to 10 ft away using:

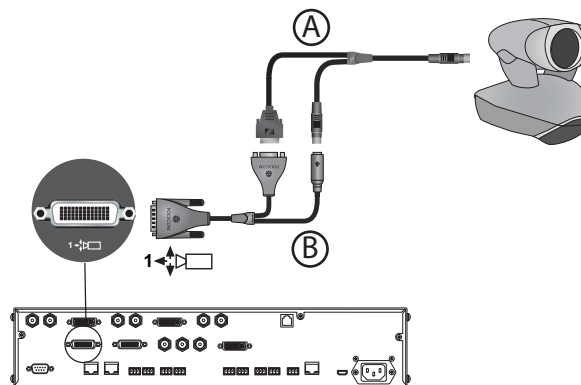
Option 1

- [HDCI PowerCam Cable](#) on page 2-34.



Option 2

- A—[PowerCam Primary Camera Cable](#) on page 2-41.
- B—[HDCI PowerCam Plus Adapter Cable](#) on page 2-35.



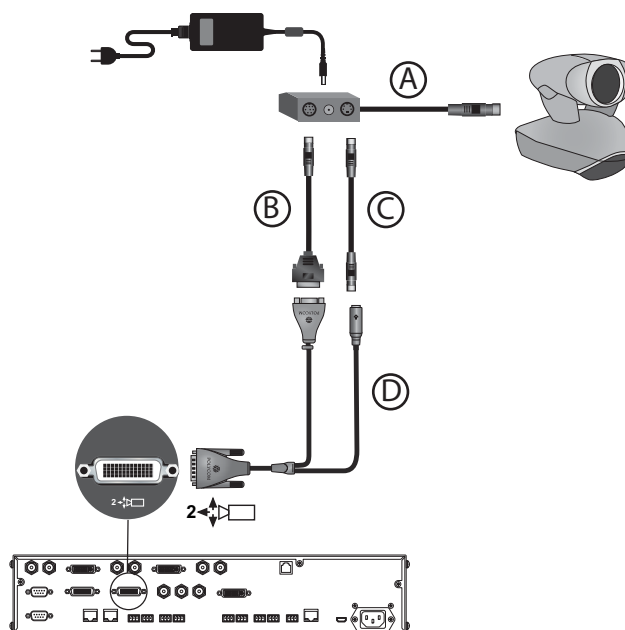
PowerCam as the Second Camera

The following kits are available, which include the power supply, PowerCam Break-Out cable, 8-pin mini-DIN to DB-9 cable, and S-Video cable:

- 7230-22231-001 (50 ft)
- 7230-22232-001 (100 ft)

You can connect a PowerCam (part number 2215-50370-001) to a Polycom HDX 9001, Polycom HDX 9002, or Polycom HDX 9004 system as the second camera using:

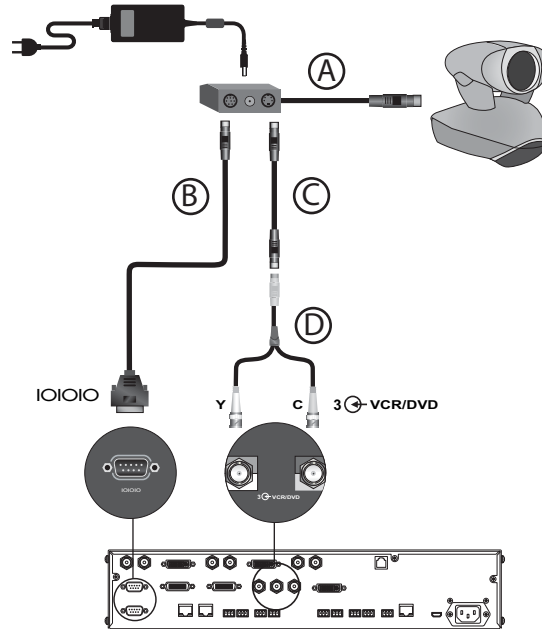
- A— [PowerCam Break-Out Cable](#) on page 2-42.
- B— [8-pin mini-DIN to DB-9](#) on page 2-44.
- C— [S-Video Cable](#) on page 2-16.
- D— [HDCI PowerCam Plus Adapter Cable](#) on page 2-35.
- Power Supply (part number 1465-52748-040).



You can connect a PowerCam (part number 2215-50370-001) to a Polycom HDX 9001, Polycom HDX 9002, or Polycom HDX 9004 system as the third camera using:

- A— [PowerCam Break-Out Cable](#) on page 2-42.
- B— [8-pin mini-DIN to DB-9](#) on page 2-44.
- C— [S-Video Cable](#) on page 2-16.

- D—[BNC to S-Video Cable](#) on page 2-17.
- Power Supply (part number 1465-52748-040).



If you connect a PTZ camera to a serial port, set **RS-232 Mode** to **Camera PTZ** on the Serial Ports screen.

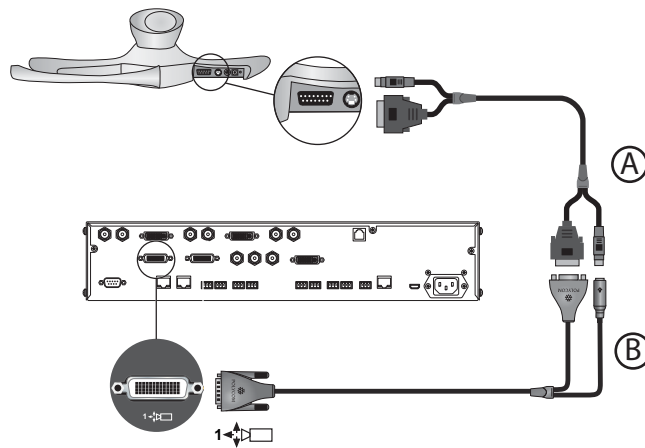
PowerCam Plus as the Main Camera up to 10 ft Away

You can connect a PowerCam Plus (part number 2215-50200-001) to a Polycom HDX 9001, Polycom HDX 9002, or Polycom HDX 9004 system as the main camera up to 10 ft away using:

- A— [PowerCam Plus Primary Cable](#) on page 2-33.
- B— [HDCI PowerCam Plus Adapter Cable](#) on page 2-35.



Automatic camera tracking is not available when using the PowerCam Plus camera with a Polycom HDX system.



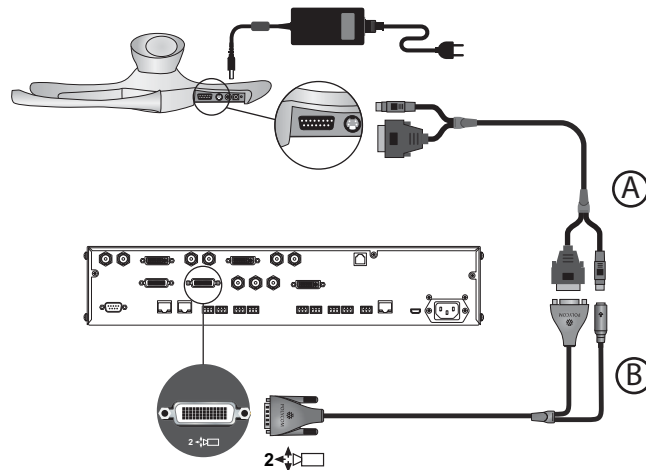
PowerCam Plus as the Second Camera up to 10 ft Away

You can connect a PowerCam Plus (part number 2215-50200-001) to a Polycom HDX 9001, Polycom HDX 9002, or Polycom HDX 9004 system as the second camera up to 10 ft away using:

- A— [PowerCam Plus Primary Cable](#) on page 2-33.
- B— [HDCI PowerCam Plus Adapter Cable](#) on page 2-35.
- Power Supply (part number 1465-52748-040).



Automatic camera tracking is not available when using the PowerCam Plus camera with a Polycom HDX system.



Connecting Sony and ELMO Cameras

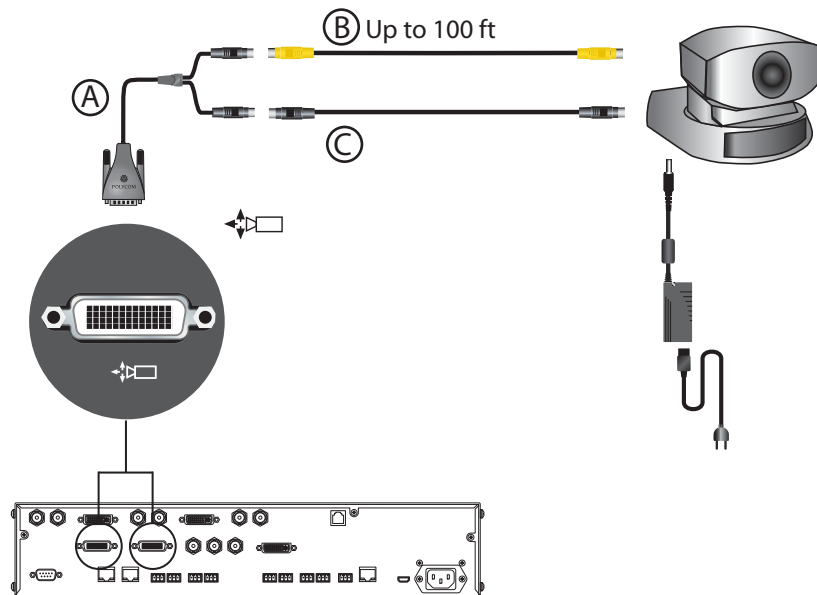
Refer to the release notes for a list of supported Pan/Tilt/Zoom (PTZ) cameras.

Sony or ELMO PTZ as the Main or Second Camera

To connect a Sony or ELMO PTZ camera to a Polycom HDX 9000 Series system as the main or second camera:

You can connect a Sony or ELMO PTZ camera to a Polycom HDX system using:

- A— [HDCI Sony VISCA Adapter Cable](#) on page 2-39.
- B— [S-Video Cable](#) on page 2-16.
- C— Sony VISCA cable.



Sony BRC-H700 PTZ

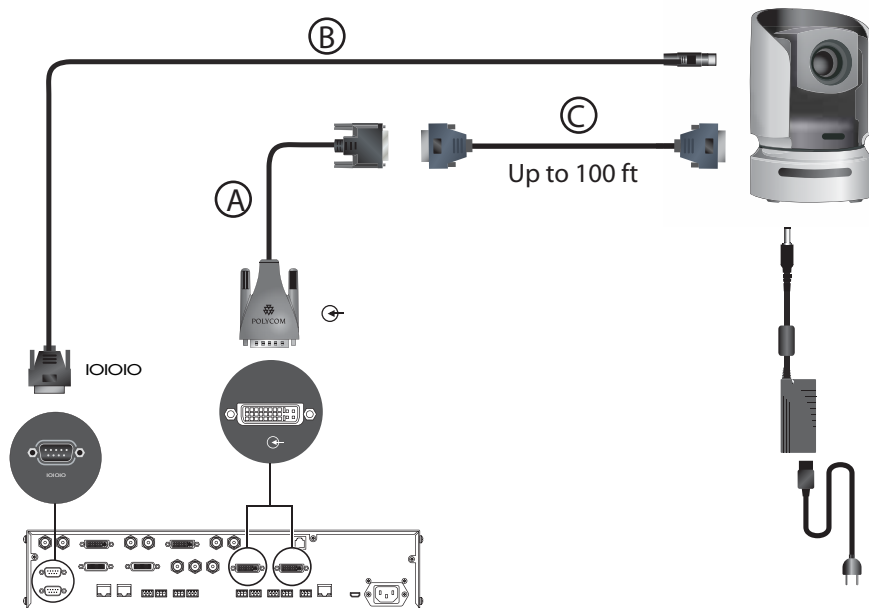
To connect a Sony BRC-H700 PTZ camera to a Polycom HDX 9000 Series system:

You can connect a Sony BRC-H700 PTZ camera to a Polycom HDX system using:

- A— [DVI to VGA Monitor Cable](#) on page 2-20.
- B— [8-pin mini-DIN to DB-9](#) on page 2-44.
- C—VGA extension cable.



To provide XGA output (1024x768), you must install the optional Sony HFBK-XG1 card into the slot on the back of the Sony BRC-H700 PTZ camera.



Another option is to use a VGA cable for cable C and to use a VGA/DVI-A adapter (part number 1517-52689-001) for cable A. The VGA/DVI-A adapter is a solid overmolded adapter that connects to the Polycom HDX 9000 Series system side of cable C and adapts from cable C's VGA connector to a DVI-A connector to plug into the Polycom HDX 9000 Series system.

Connecting Vaddio and Canon Cameras

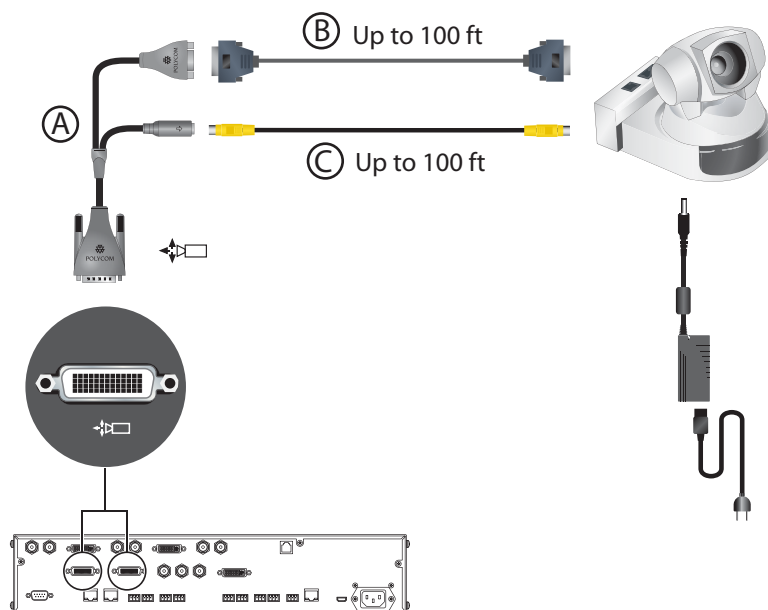
Refer to the release notes for a list of supported Pan/Tilt/Zoom (PTZ) cameras.

Vaddio or Canon PTZ as the Main or Second Camera

To connect a Vaddio or Canon PTZ camera to a Polycom HDX 9000 Series system as the main or second camera:

You can connect a Vaddio 70, Vaddio 100, or Canon (with VISCA cable shoe) PTZ camera to a Polycom HDX system using:

- A— [HDCI VISCA Adapter Cable](#) on page 2-36.
- B—DB-9 serial cable.
- C— [S-Video Cable](#) on page 2-16.



A separate power supply is required regardless of which connector is used on the HDX 9000 Series back panel.

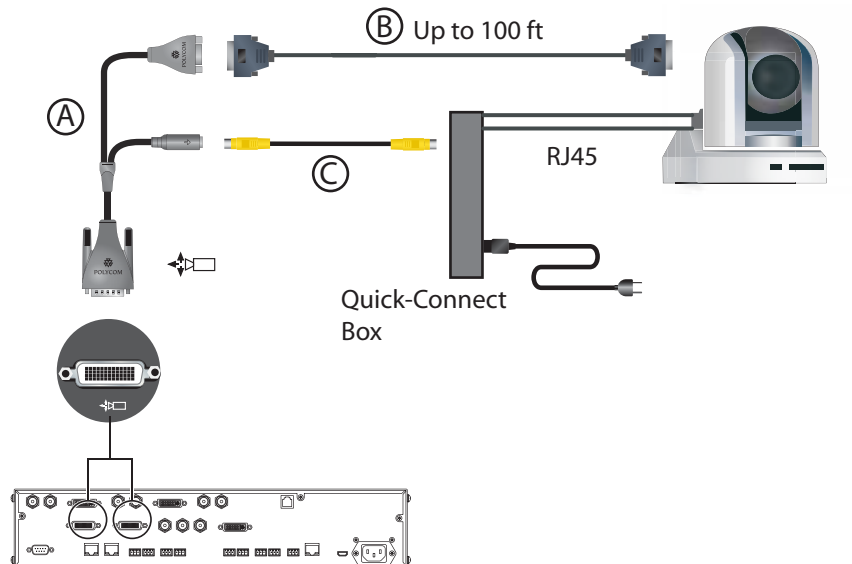
Vaddio 300 PTZ as the Main or Second Camera

To connect a Vaddio 300 PTZ camera to a Polycom HDX 9000 Series system as the main or second camera:

You can connect a Vaddio 300 PTZ camera to a Polycom HDX system using:

- A—[HDCI VISCA Adapter Cable](#) on page 2-36.
- B—DB-9 serial cable.
- C—[S-Video Cable](#) on page 2-16.

Note: For situations that require extraordinary cable lengths, CAT5 extension kits for camera video, power, and control are available from third-party vendors.



Integrating Audio and Content

Connecting a Computer to a Polycom HDX 9000 Series System

You can connect Polycom HDX 9000 series systems to a computer.

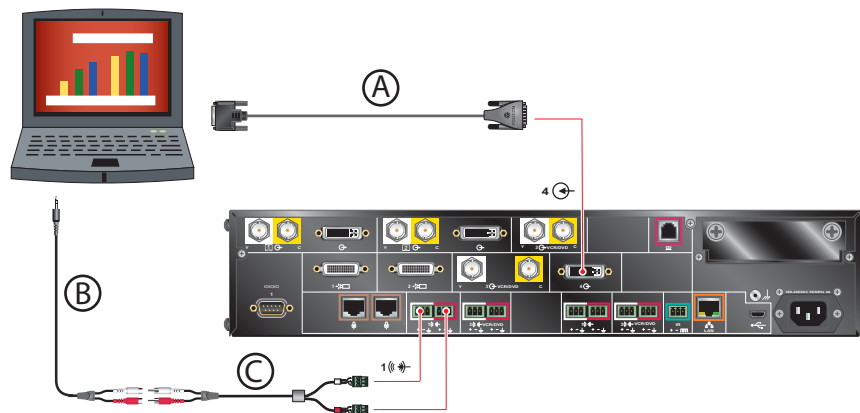
To connect a computer to a Polycom HDX 9001 or Polycom HDX 9002 system:

Option 1

Connect a Polycom HDX 9001 or Polycom HDX 9002 system to a computer using

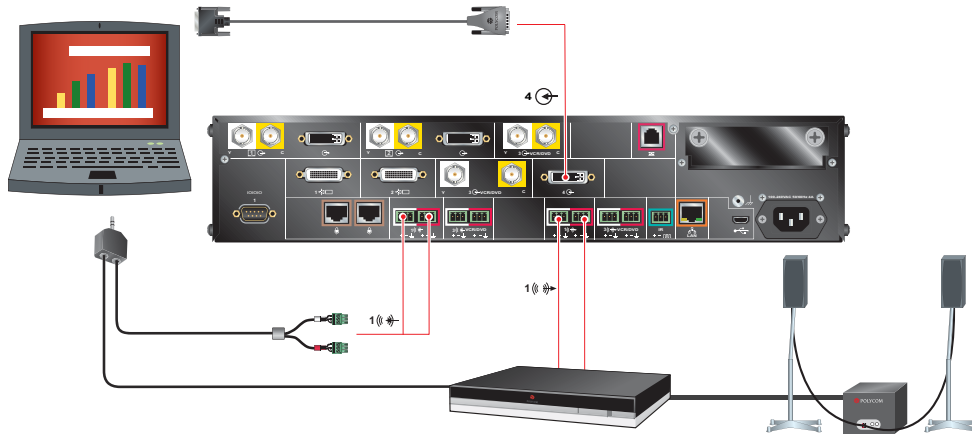
- A—[DVI to VGA Monitor Cable](#) on page 2-20.
- B—3.5 mm stereo to RCA adapter cable.
- C—[Audio Adapter Cable](#) on page 2-54.

When you connect a computer to a Polycom HDX 9001 or Polycom HDX 9002 as follows, audio is only heard at the far site and may be heard even when video input 4 is not selected.



Option 2

To hear audio at both the near site and the far site, use a bypass mixer to connect a computer to the Polycom HDX 9001 or Polycom HDX 9002 system as the following figure shows.

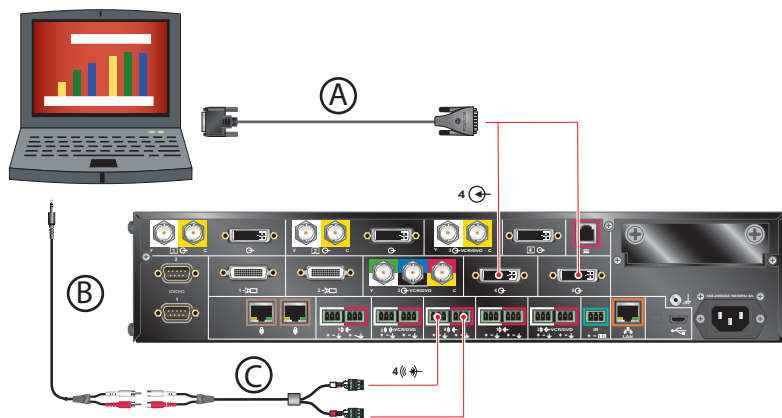


To connect a computer to a Polycom HDX 9004 system:

Connect a Polycom HDX 9004 system to a computer using

- A—[DVI to VGA Monitor Cable](#) on page 2-20.
- B—3.5 mm stereo to RCA adapter cable.
- C—[Audio Adapter Cable](#) on page 2-54 (Polycom HDX 9004, Polycom HDX 9002, and Polycom HDX 9001 systems only).

When you connect a computer to video input 4 and audio input 4 on a Polycom HDX 9004 as follows, audio from input 4 is muted unless video input 4 is selected as a video source.

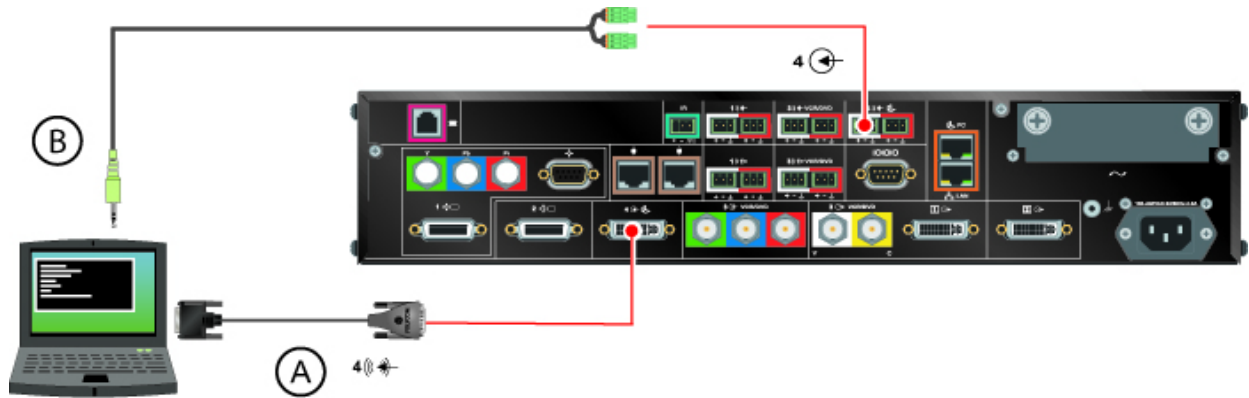


To connect a computer to a Polycom HDX 9006 system:

Connect a Polycom HDX 9006 system to a computer using:

- A—[DVI to VGA Monitor Cable](#) on page 2-20.
- B—[3.5 mm stereo to dual 3-pin Phoenix connectors cable](#).

When you connect a computer to video input 4 and audio input 4 on a Polycom HDX 9006 system as follows, audio from input 4 is muted unless video input 4 is selected as a video source.



Connecting a Vortex® Mixer to a Polycom HDX 9000 Series System

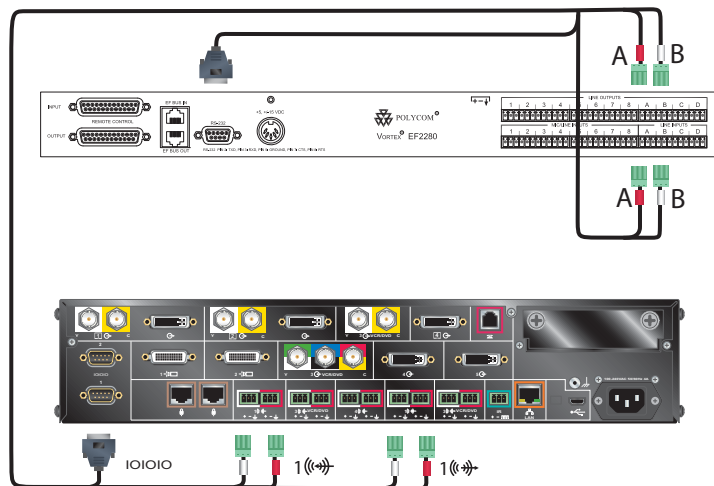


Polycom strongly recommends using Polycom InstantDesigner™ to get started with your Vortex® mixer integration. InstantDesigner resolves many common issues with connections and configuration settings.

To use a Polycom HDX system with audio input from a Vortex mixer, set the Input Type to Line Input and disable Echo Canceller.

Connect a Polycom HDX system to the Vortex mixer using:

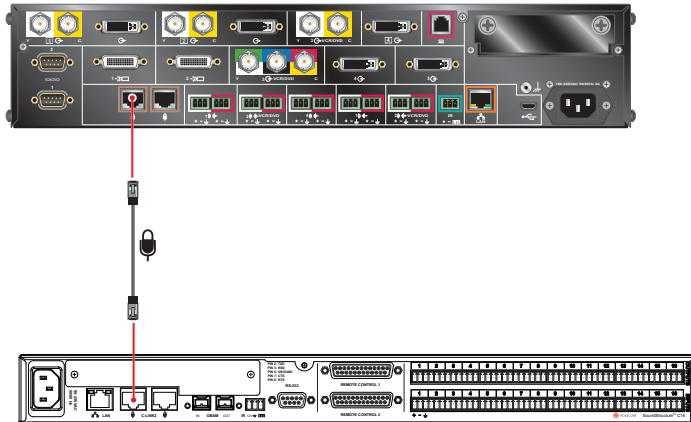
- Vortex cable shown on page [Vortex Cable](#) on page 2-56.



Connecting a Polycom SoundStructure C-Series Mixer to a Polycom HDX 9000 Series System

Connect a Polycom HDX system to the Polycom SoundStructure C-Series mixer using:

- [Polycom HDX Microphone Host Cable](#) on page 2-46.



Points to Note:

- The microphone input of the Polycom HDX 9000 Series system can support one SoundStructure C-Series mixer that has up to four Polycom HDX microphones connected to it. For more information about using the SoundStructure C-Series mixer with a Polycom HDX system, refer to the SoundStructure C-Series documentation on the Polycom web site.

You cannot connect both a SoundStructure C-Series mixer and a SoundStation IP 7000 phone to the Polycom HDX 9000 Series system at the same time.

- If the EagleEye Director camera is connected to a Polycom HDX system that is connected to a SoundStructure C-Series mixer (or echo cancellers, sound mixers, or other external devices) and the SoundStructure C-Series mixer is connected to the room audio playback system, the EagleEye Director's audio feedback cable ([Polycom EagleEye Director Audio Feedback Phoenix to Phoenix Cable](#) on page 2-59) must connect to the balanced audio output connector of SoundStructure. The room audio playback system must connect through the EagleEye Director's audio feedback cable to the SoundStructure C-Series mixer.

Cables

This chapter includes information about cables that can be used with a Polycom HDX system. Please note that drawings and part numbers are provided for reference only. Compliance information is provided for the Restriction of certain Hazardous Substances Directive (RoHS).

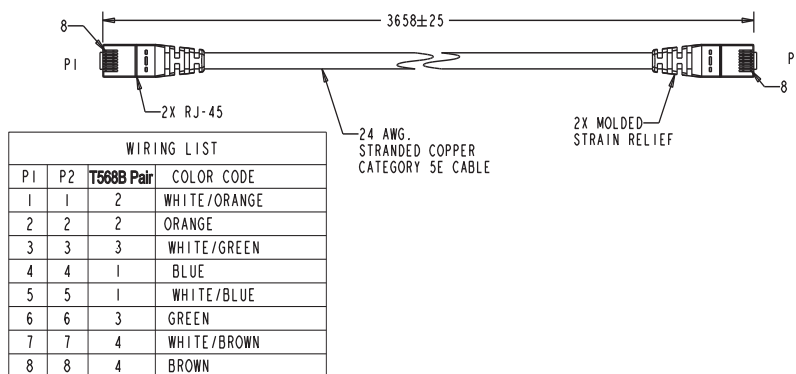
Network Cables

CAT 5e LAN Cable



This cable connects a Polycom HDX system to the LAN. It has orange RJ-45 connectors on both ends. It meets category 5e requirements and is wired according to EIA/TIA-568B. The maximum approved length for this cable is 100 ft (30 m) on an 802 network.

Length	Part Number	RoHS Compliant
12 ft (3.6 m)	2457-23537-001	Yes





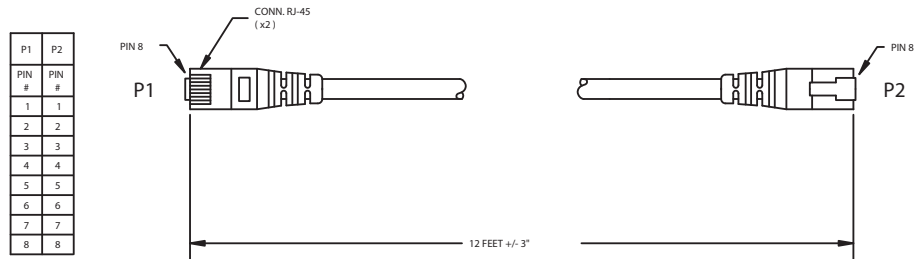
Drawings and part numbers are provided for reference only. Polycom claims no responsibility or liability for the quality, performance, or reliability of cables based on these reference drawings, other than cables provided by Polycom. Contact your Polycom distributor or Polycom Custom/Vertical Products to order cables that meet the appropriate manufacturing tolerances, quality, and performance parameters for your application.

LAN Cable



This cable connects a Polycom HDX system to the LAN. It has orange RJ-45 connectors on both ends and is used with all systems. The maximum approved length for this cable is 100 ft (30 m).

Length	Part Number	RoHS Compliant
12 ft (3.6 m)	2457-08343-001	Yes



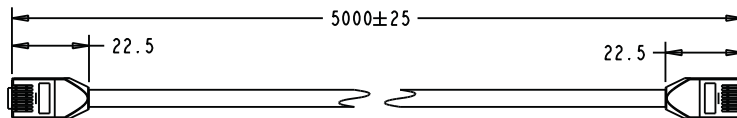
Drawings and part numbers are provided for reference only. Polycom claims no responsibility or liability for the quality, performance, or reliability of cables based on these reference drawings, other than cables provided by Polycom. Contact your Polycom distributor or Polycom Custom/Vertical Products to order cables that meet the appropriate manufacturing tolerances, quality, and performance parameters for your application.

Polycom Touch Control LAN Cable



This cable connects a Polycom Touch Control device to the LAN.

Length	Part Number	RoHS Compliant
25 ft (7.62 m)	2457-26994-001	Yes



WIRING LIST		
P1	P2	COLOR CODE
1	1	WHITE/ORANGE
2	2	ORANGE/WHITE
3	3	WHITE/GREEN
4	4	BLUE/WHITE
5	5	WHITE/BLUE
6	6	GREEN/WHITE
7	7	WHITE/BROWN
8	8	BROWN/WHITE



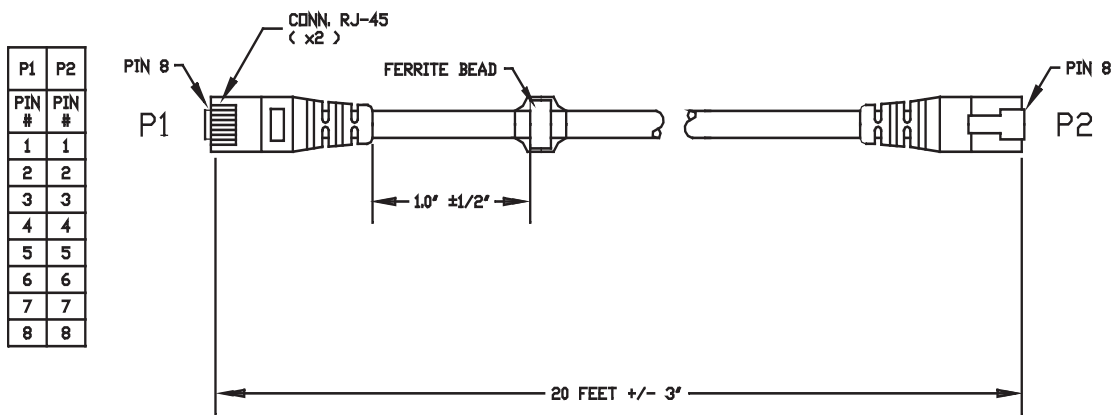
Drawings and part numbers are provided for reference only. Polycom claims no responsibility or liability for the quality, performance, or reliability of cables based on these reference drawings, other than cables provided by Polycom. Contact your Polycom distributor or Polycom Custom/Vertical Products to order cables that meet the appropriate manufacturing tolerances, quality, and performance parameters for your application.

ISDN Cable



This cable connects a Polycom HDX system to a BRI or PRI line. It has clear RJ-45 connectors on both ends and is used with all Polycom HDX systems that have ISDN capability. The maximum approved length for this cable is 50 ft (15 m).

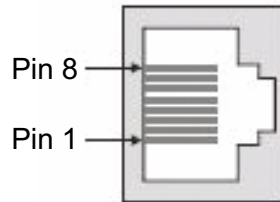
Length	Part Number	RoHS Compliant
20 ft (6.6 m)	2457-08548-001	Yes



Drawings and part numbers are provided for reference only. Polycom claims no responsibility or liability for the quality, performance, or reliability of cables based on these reference drawings, other than cables provided by Polycom. Contact your Polycom distributor or Polycom Custom/Vertical Products to order cables that meet the appropriate manufacturing tolerances, quality, and performance parameters for your application.

PRI Pin Assignments

The following illustration and table show the pin assignments for the PRI port on the Polycom HDX system.



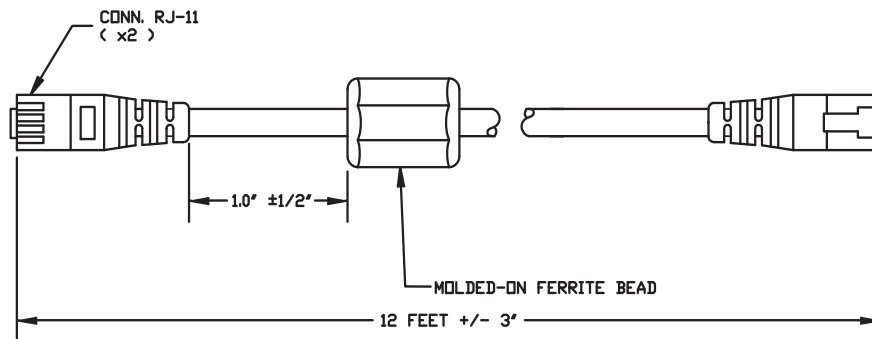
Pin	Signal Name
1	Receive Ring
2	Receive Tip
3	No Connection
4	Transmit Ring
5	Transmit Tip
6	No Connection
7	No Connection
8	No Connection

Analog Telephone (POTS) Cable



This cable connects a Polycom HDX system to an analog telephone line. It has pink RJ-11 connectors on both ends. The maximum approved length for this cable is 100 ft (30 m).

Length	Part Number	RoHS Compliant
12 ft (3.6 m)	2457-20071-001	Yes



WIRING IS "PIN TO PIN" 1-1, 2-2, ETC.



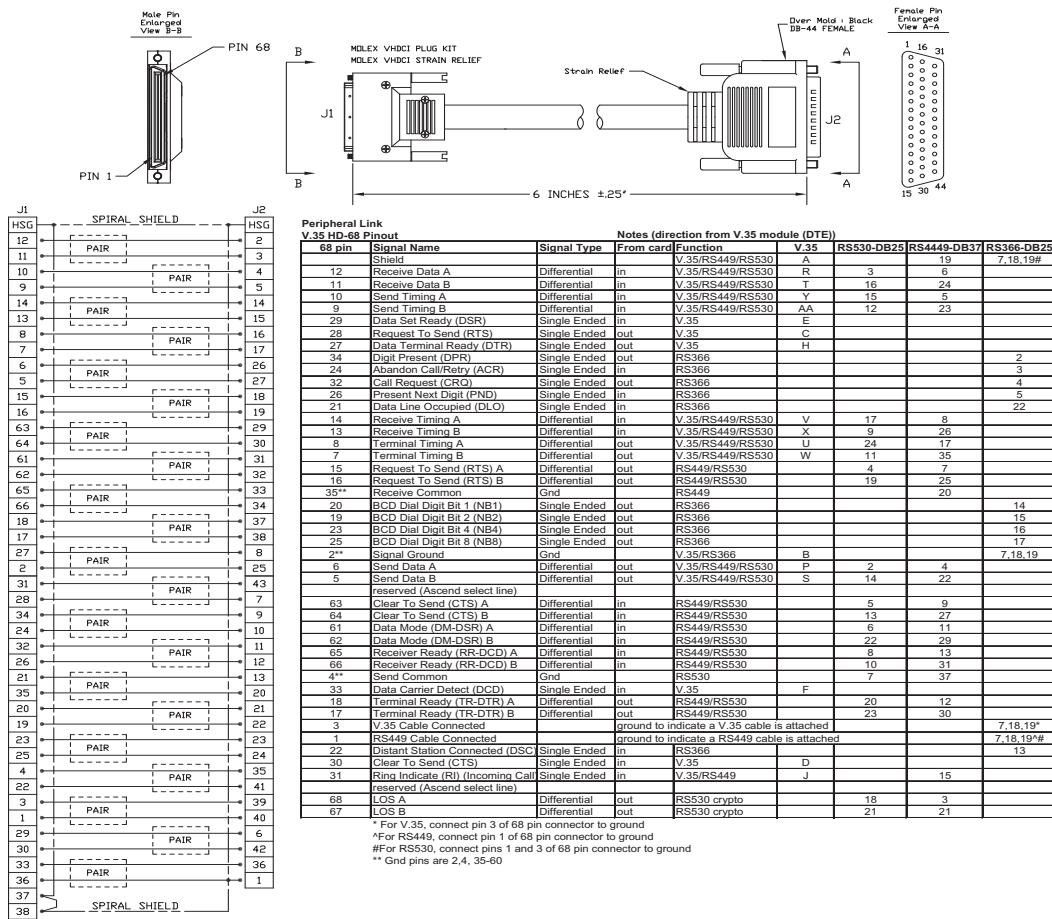
Drawings and part numbers are provided for reference only. Polycom claims no responsibility or liability for the quality, performance, or reliability of cables based on these reference drawings, other than cables provided by Polycom. Contact your Polycom distributor or Polycom Custom/Vertical Products to order cables that meet the appropriate manufacturing tolerances, quality, and performance parameters for your application.

V.35/RS-449/RS-530 Serial Adapter



This adapter is used when connecting a Polycom HDX system to other third-party network equipment. It adapts the 68-pin interface to an industry standard 44-pin interface used by some network interface equipment. It is used with Polycom HDX systems that have a V.35/RS-449/RS-530 serial network interface card (NIC) installed.

Length	Part Number	RoHS Compliant
6 in (15.23 cm)	2457-21264-200	Yes



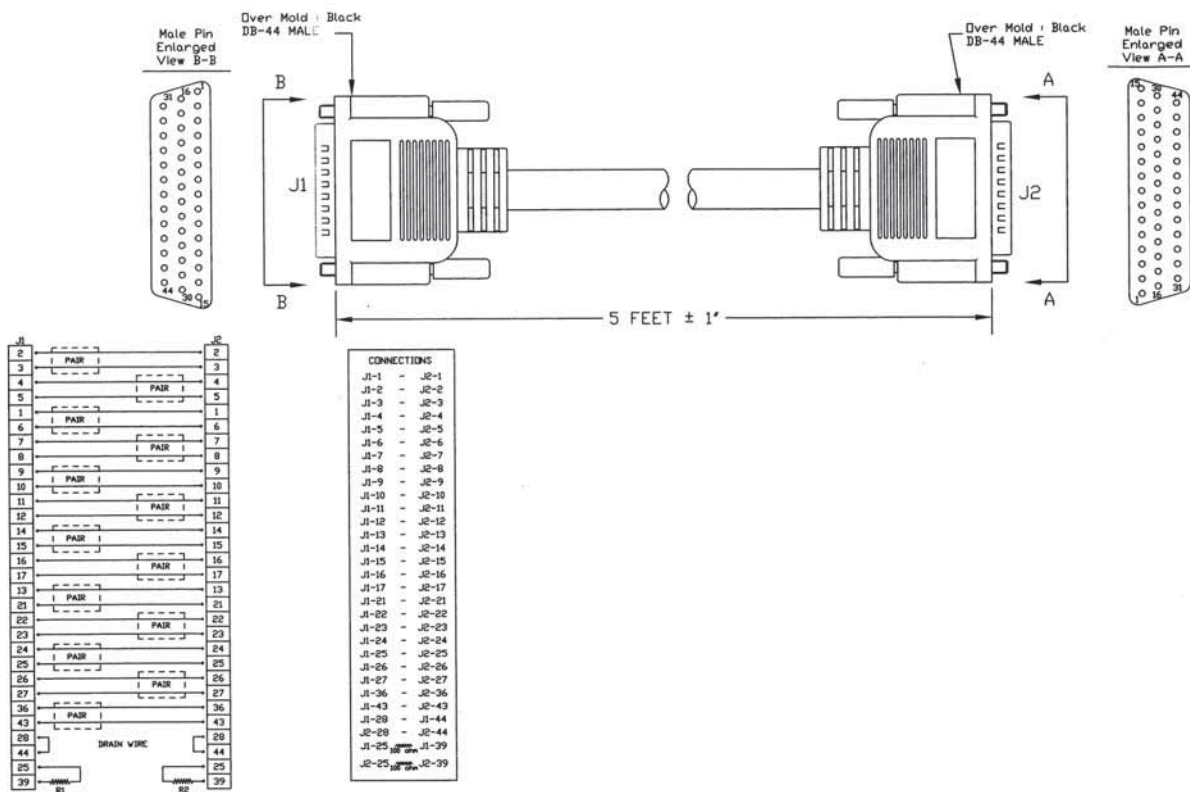
Drawings and part numbers are provided for reference only. Polycom claims no responsibility or liability for the quality, performance, or reliability of cables based on these reference drawings, other than cables provided by Polycom. Contact your Polycom distributor or Polycom Custom/Vertical Products to order cables that meet the appropriate manufacturing tolerances, quality, and performance parameters for your application.

V.35 NIC Cable



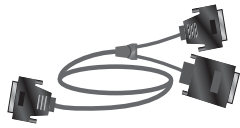
This cable connects a Polycom HDX system to Ascend network equipment. It is used with the [V.35/RS-449/RS-530 Serial Adapter](#) on page 2-8 to connect to network equipment that has the HD-44 pin interface. It has HD-44 M connectors on both ends and is used with Polycom HDX systems that have a serial network interface card (NIC) installed.

Length	Part Number	RoHS Compliant
5 ft (1.65 m)	2457-10608-200	Yes



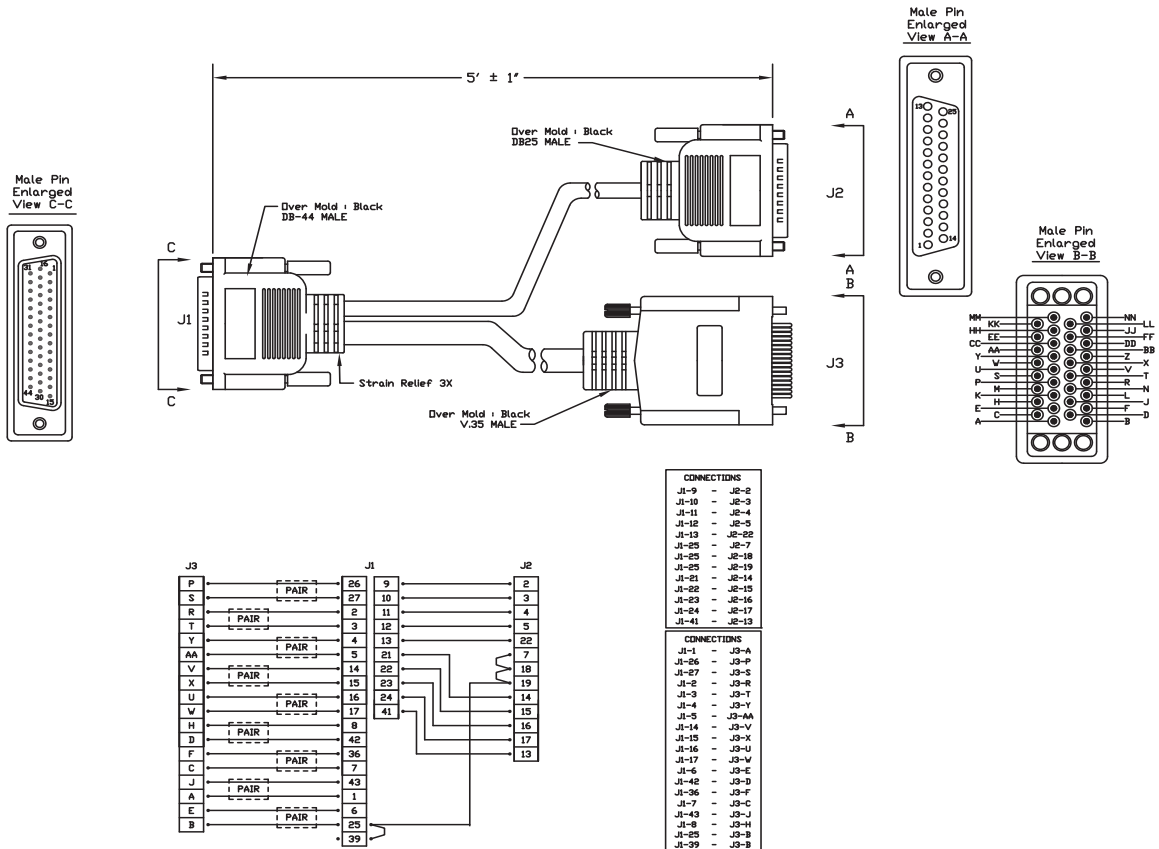
Drawings and part numbers are provided for reference only. Polycom claims no responsibility or liability for the quality, performance, or reliability of cables based on these reference drawings, other than cables provided by Polycom. Contact your Polycom distributor or Polycom Custom/Vertical Products to order cables that meet the appropriate manufacturing tolerances, quality, and performance parameters for your application.

V.35 and RS-366 Serial Cable



This cable connects a Polycom HDX system to third-party network equipment. It is used with the [V.35/RS-449/RS-530 Serial Adapter](#) on page 2-8 to connect to network equipment that has a V.35/RS-366 interface. It is HD-44 M to “Y” Winchester 34M/RS-366 DB-25M and is used with Polycom HDX systems that have a serial network interface card (NIC) installed.

Length	Part Number	RoHS Compliant
5 ft (1.65 m)	2457-10609-200	Yes



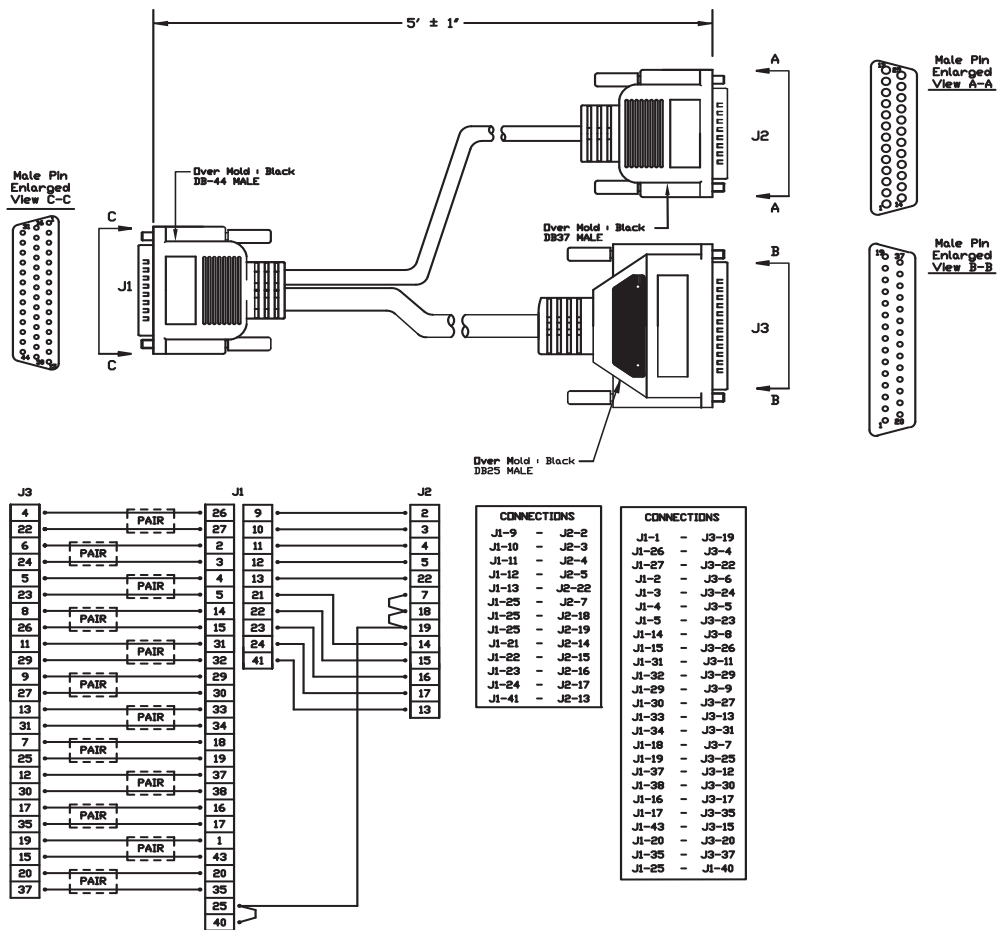
Drawings and part numbers are provided for reference only. Polycom claims no responsibility or liability for the quality, performance, or reliability of cables based on these reference drawings, other than cables provided by Polycom. Contact your Polycom distributor or Polycom Custom/Vertical Products to order cables that meet the appropriate manufacturing tolerances, quality, and performance parameters for your application.

RS-449 and RS-366 Serial Cable



This cable connects a Polycom HDX system to third-party network equipment. It is used with the V.35/RS-449/RS-530 serial adapter on page [V.35/RS-449/RS-530 Serial Adapter](#) on page 2-8 to connect to network equipment that has an RS-449/RS-366 interface. It is HD-44 M to “Y” RS-449 DB-37M/RS-366 DB-25M and is used with Polycom HDX systems that have a serial network interface card (NIC) installed.

Length	Part Number	RoHS Compliant
5 ft (1.65 m)	2457-10610-200	Yes





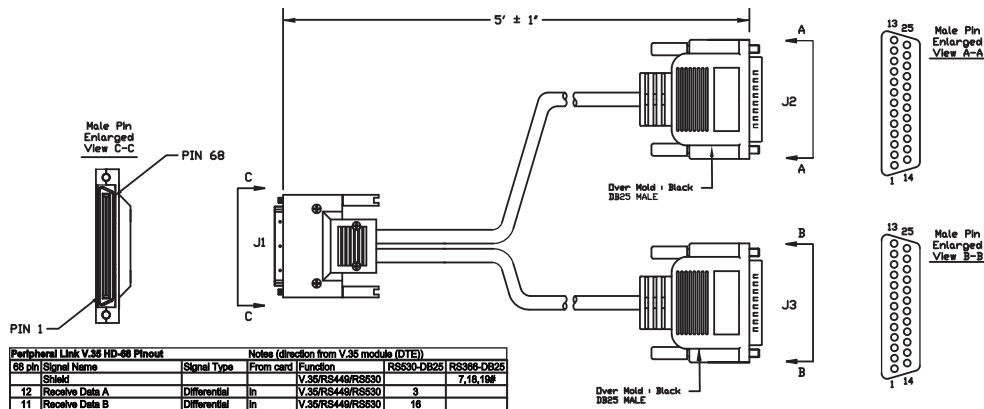
Drawings and part numbers are provided for reference only. Polycom claims no responsibility or liability for the quality, performance, or reliability of cables based on these reference drawings, other than cables provided by Polycom. Contact your Polycom distributor or Polycom Custom/Vertical Products to order cables that meet the appropriate manufacturing tolerances, quality, and performance parameters for your application.

RS-530 with RS-366 Serial Cable



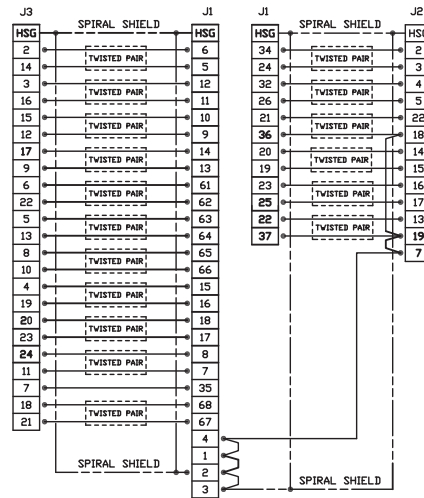
This cable connects a Polycom HDX system to third-party network equipment. It is used with the [V.35/RS-449/RS-530 Serial Adapter](#) on page 2-8 to connect to network equipment that has an RS-530/RS-366 interface. It is HD-68M to “Y” DB-25M and is used with Polycom HDX systems that have a serial network interface card (NIC) installed.

Length	Part Number	RoHS Compliant
5 ft (1.65 m)	2457-21263-200	Yes



Peripheral Link V.35 HD-68 Pinout		Notes (direction from V.35 module (DTE))	
68 pin Signal Name	Signal Type	From card	Function
Shield		V.35/RS449/RS630	RS530-DB25 RS366-DB25
12 Receive Data A	Differential	In	V.35/RS449/RS630 3 7,18,19*
11 Receive Data B	Differential	In	V.35/RS449/RS630 16
10 Send Timing A	Differential	In	V.35/RS449/RS630 15
9 Send Timing B	Differential	In	V.35/RS449/RS630 12
29 Data Set Ready (DSR)	Single Ended	In	V.35
28 Request To Send (RTS)	Single Ended	out	V.35
27 Data Terminal Ready (DTR)	Single Ended	out	V.35
34 Digit Present (DPF)	Single Ended	out	RS366 2
24 Abandon Call/Busy (ACR)	Single Ended	In	RS366 3
32 Call Request (CRO)	Single Ended	out	RS366 4
26 Present Next Digit (PND)	Single Ended	In	RS366 5
21 Data Line Occupied (DLO)	Single Ended	In	RS366 22
14 Receive Timing A	Differential	In	V.35/RS449/RS630 17
13 Receive Timing B	Differential	In	V.35/RS449/RS630 9
8 Terminal Timing A	Differential	out	V.35/RS449/RS630 24
7 Terminal Timing B	Differential	out	V.35/RS449/RS630 11
15 Request To Send (RTS) A	Differential	out	RS449/RS630 4
16 Request To Send (RTS) B	Differential	out	RS449/RS630 19
35** Receive Common	Gnd		RS449
20 BCD Dial Digit Bit 1 (NB1)	Single Ended	out	RS366 14
19 BCD Dial Digit Bit 2 (NB2)	Single Ended	out	RS366 15
23 BCD Dial Digit Bit 4 (NB4)	Single Ended	out	RS366 16
25 BCD Dial Digit Bit 5 (NB5)	Single Ended	out	RS366 17
2** Signal Ground	Gnd		V.35/RS366 7,18,19
6 Send Data A	Differential	out	V.35/RS449/RS630 2
5 Send Data B	Differential	out	V.35/RS449/RS630 14
reserved (Ascend select line)			
63 Clear To Send (CTS) A	Differential	In	RS449/RS630 5
64 Clear To Send (CTS) B	Differential	In	RS449/RS630 13
61 Data Mode (DM-DSR) A	Differential	In	RS449/RS630 6
62 Data Mode (DM-DSR) B	Differential	In	RS449/RS630 22
65 Receiver Ready (RR-DCC) A	Differential	In	RS449/RS630 9
66 Receiver Ready (RR-DCC) B	Differential	In	RS449/RS630 10
4** Send Common	Gnd		RS630 7
33 Data Carrier Detect (DCD)	Single Ended	In	V.35
18 Terminal Ready (TR-DTR) A	Differential	out	RS449/RS630 20
17 Terminal Ready (TR-DTR) B	Differential	out	RS449/RS630 23
3 V.35 Cable Connected	ground to indicate a V.35 cable is attached		7,18,19*
1 RS449 Cable Connected	ground to indicate a RS449 cable is attached		7,18,19**
22 Distort Station Connected (DSC)	Single Ended	In	RS366 18
30 Clear To Send (CTS)	Single Ended	In	V.35
31 Ring Indicate (RI) (Incoming Call)	Single Ended	In	V.35/RS449
reserved (Ascend select line)			
68 LOS A	Differential	out	RS630 crypto 16
67 LOS B	Differential	out	RS630 crypto 21

* For V.35, connect pin 3 of 68 pin connector to ground
 **For RS449, connect pin 1 of 68 pin connector to ground
 #For RS630, connect pins 1 and 3 of 68 pin connector to ground
 ** Gnd pins are 2,4, 35-60





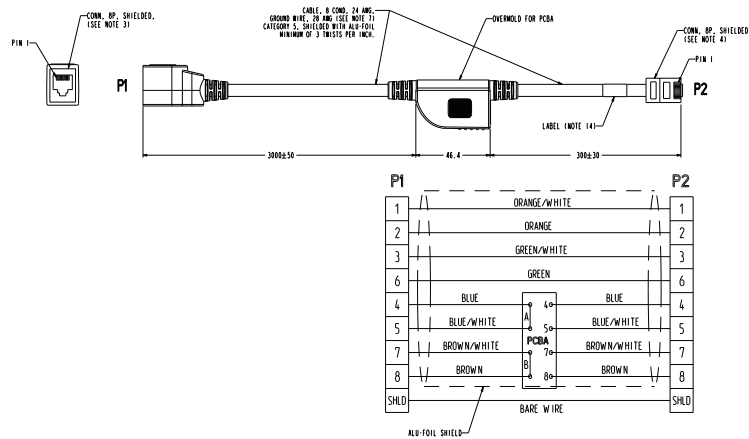
Drawings and part numbers are provided for reference only. Polycom claims no responsibility or liability for the quality, performance, or reliability of cables based on these reference drawings, other than cables provided by Polycom. Contact your Polycom distributor or Polycom Custom/Vertical Products to order cables that meet the appropriate manufacturing tolerances, quality, and performance parameters for your application.

Polycom Touch Control Power Adapter



This adapter connects the Polycom Touch Control device to the LAN and a power supply (part number 2200-42740-XXX) for rooms that do not have Power over Ethernet (PoE).

Length	Part Number	RoHS Compliant
2.1 ft (.61 m)	2457-40054-001	Yes



Drawings and part numbers are provided for reference only. Polycom claims no responsibility or liability for the quality, performance, or reliability of cables based on these reference drawings, other than cables provided by Polycom. Contact your Polycom distributor or Polycom Custom/Vertical Products to order cables that meet the appropriate manufacturing tolerances, quality, and performance parameters for your application.

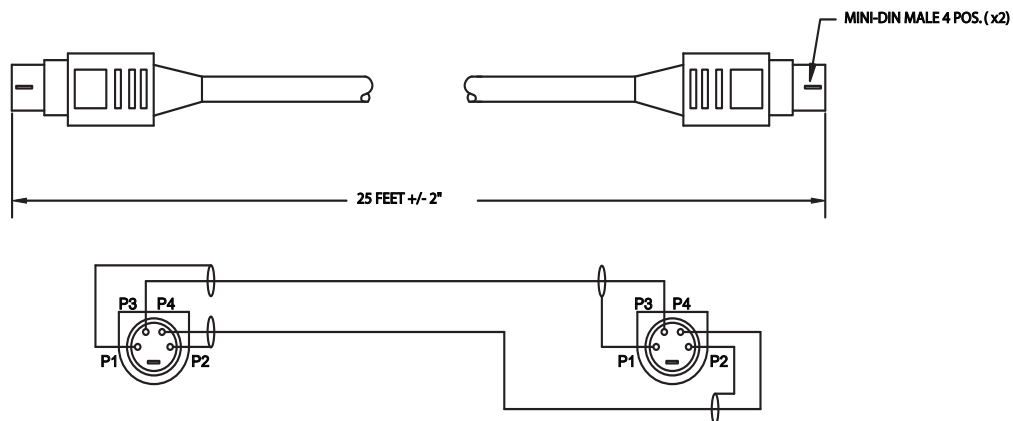
Video and Camera Cables

S-Video Cable



These cables connect a Polycom HDX system to a monitor or camera. They have yellow 4-pin mini-DIN connectors on both ends and are used with all Polycom HDX systems. The maximum approved length for this cable is 200 ft (60 m).

Length	Part Number	RoHS Compliant
8 ft (2.4 m)	2457-08410-002	Yes
25 ft (7.6 m)	2457-08409-002	Yes
50 ft (15 m)	2457-09204-200	Yes



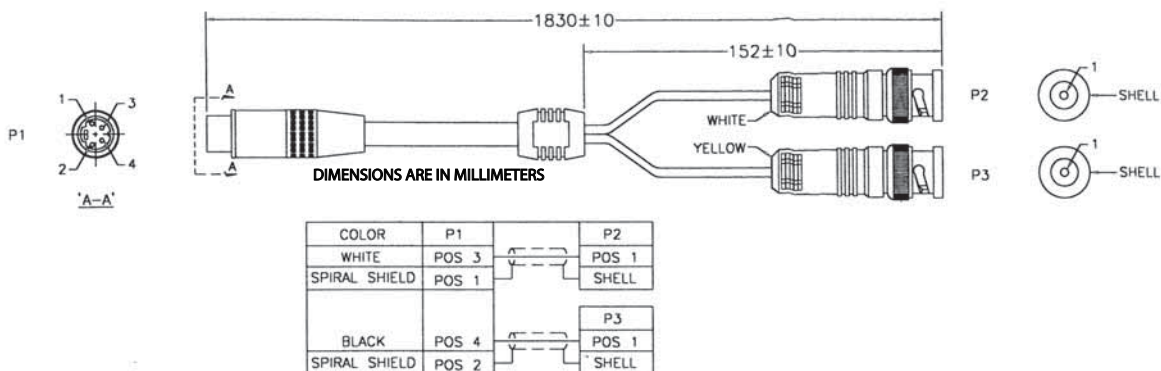
Drawings and part numbers are provided for reference only. Polycom claims no responsibility or liability for the quality, performance, or reliability of cables based on these reference drawings, other than cables provided by Polycom. Contact your Polycom distributor or Polycom Custom/Vertical Products to order cables that meet the appropriate manufacturing tolerances, quality, and performance parameters for your application.

BNC to S-Video Cable



This cable connects S-Video devices to a Polycom HDX system. It is 4-pin male mini-DIN to dual BNC male. The maximum approved length for this cable is 100 ft (30 m).

Length	Part Number	RoHS Compliant
6 ft (1.8 m)	2457-21489-200	Yes



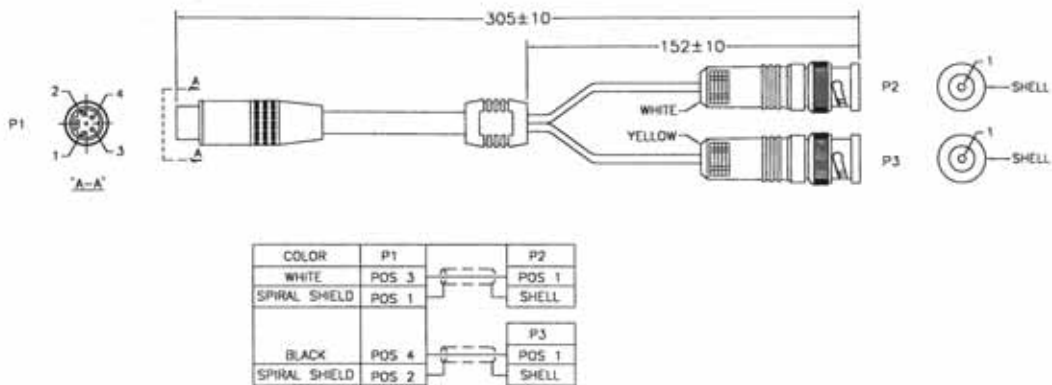
Drawings and part numbers are provided for reference only. Polycom claims no responsibility or liability for the quality, performance, or reliability of cables based on these reference drawings, other than cables provided by Polycom. Contact your Polycom distributor or Polycom Custom/Vertical Products to order cables that meet the appropriate manufacturing tolerances, quality, and performance parameters for your application.

BNC to S-Video Adapter



This adapter may be required when connecting standard S-Video cables to a Polycom HDX system. It is dual BNC male to 4-pin female mini-DIN.

Length	Part Number	RoHS Compliant
1 ft (.3 m)	2457-21490-200	Yes



Drawings and part numbers are provided for reference only. Polycom claims no responsibility or liability for the quality, performance, or reliability of cables based on these reference drawings, other than cables provided by Polycom. Contact your Polycom distributor or Polycom Custom/Vertical Products to order cables that meet the appropriate manufacturing tolerances, quality, and performance parameters for your application.

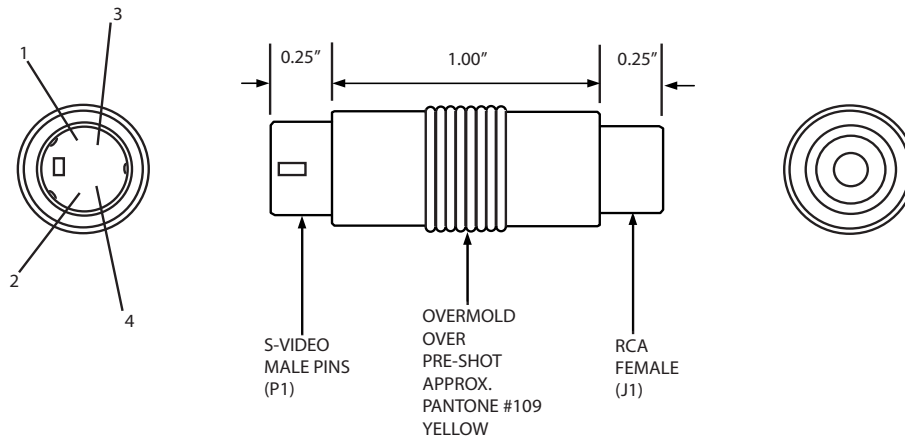
S-Video to RCA Adapter



This adapter is used when connecting a standard composite video cable (or the video jack on a VCR cable) into an S-Video connector on a Polycom HDX system. It is yellow RCA to 4-pin mini-DIN.

This adapter can be used along with the BNC to S-Video cable (part number 2457-21489-200) or BNC to S-Video adapter (part number 2457-21490-200) to connect a composite monitor or VCR to a BNC connector on a Polycom HDX 9000 series system.

Length	Part Number	RoHS Compliant
1.5 in	1517-08822-002	Yes



WIRE LIST

P1-3	←→	J1-CENTER
P1-4	←→	N.C.
P1-1	←→	P1-2 ←→ J1-SHIELD
P1-SHIELD	←→	N.C.



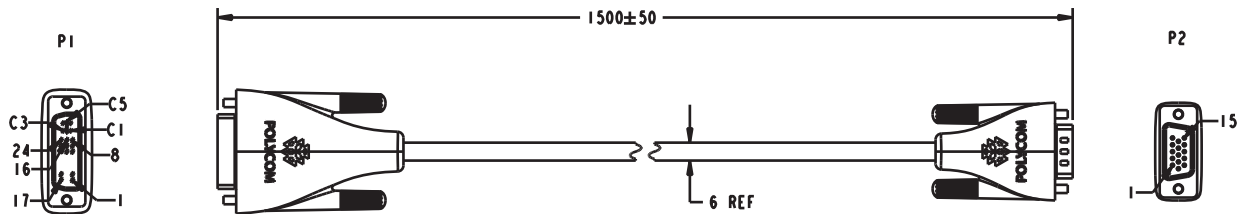
Drawings and part numbers are provided for reference only and might not be available separately. Polycom claims no responsibility or liability for the quality, performance, or reliability of cables based on these reference drawings, other than cables provided by Polycom. Contact your Polycom distributor or Polycom Custom Products/Vertical Solutions to order cables that meet the appropriate manufacturing tolerances, quality, and performance parameters for your application.

DVI to VGA Monitor Cable



This cable connects a Polycom HDX system DVI-I output to a VGA monitor. It can also be used to connect a computer to one of the DVI-A video inputs on a Polycom HDX system. It is male DVI-A to male HD-15.

Length	Part Number	RoHS Compliant
4 ft 6 in (1.5 m)	2457-25182-001	Yes
9 ft 10 in (3 m)	2457-23792-001	Yes
25 ft (7.6 m)	2457-23792-025	Yes



WIRING LIST				
SIGNAL	P1	P2	CABLE UNIT	CONDUCTOR
RED	C1	1	D1	CENTER
GREEN	C2	2	D2	CENTER
BLUE	C3	3	D3	CENTER
H-SYNC	C4	13	E1	-
GROUND-RED		6	D1	SHIELD
GROUND-GREEN	C5	7	D2	SHIELD
GROUND-BLUE		8	D3	SHIELD
DDC-SCL	6	15	E2	-
DDC-SDA	7	12	E3	-
V-SYNC	8	14	E4	-
+5V DC	14	9	E5	-
	16			
GROUND	15	5	E6	-
		10		
SHIELD	SHELL	SHELL	C, D	-



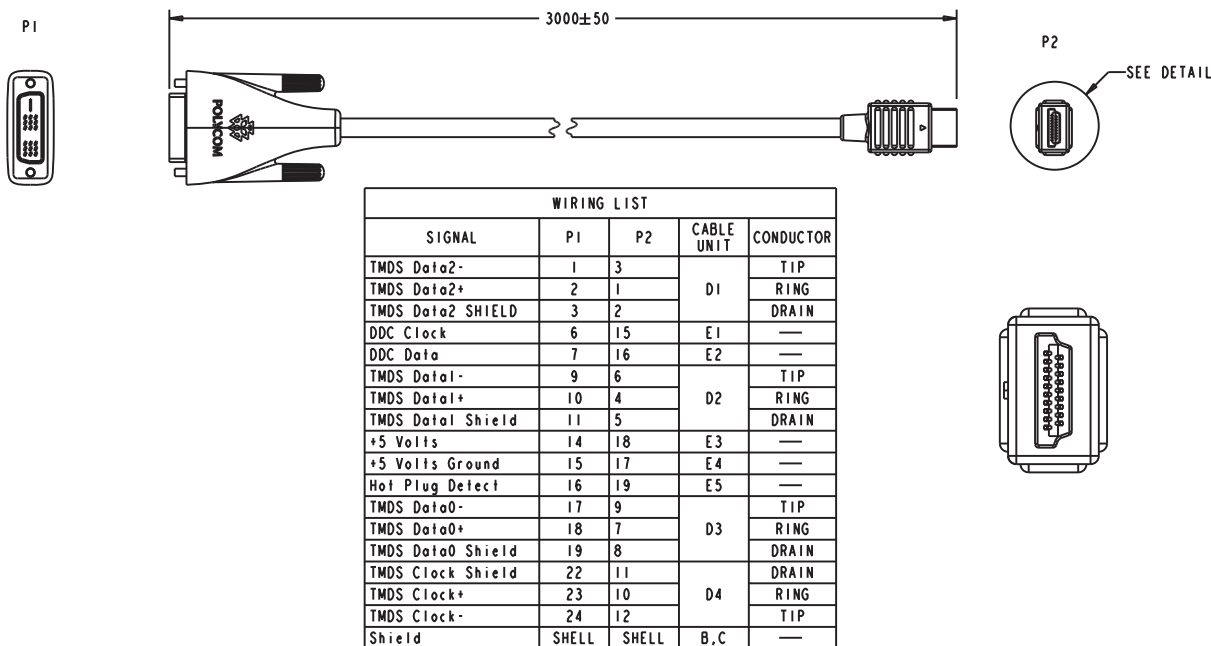
Drawings and part numbers are provided for reference only. Polycom claims no responsibility or liability for the quality, performance, or reliability of cables based on these reference drawings, other than cables provided by Polycom. Contact your Polycom distributor or Polycom Custom/Vertical Products to order cables that meet the appropriate manufacturing tolerances, quality, and performance parameters for your application.

HDMI Monitor Cable



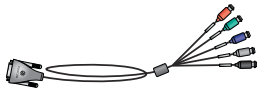
This cable connects the Polycom HDX system DVI-I output to an HDMI monitor. It is male DVI-D to male HDMI.

Length	Part Number	RoHS Compliant
9 ft 10 in (3 m)	2457-23905-001	Yes



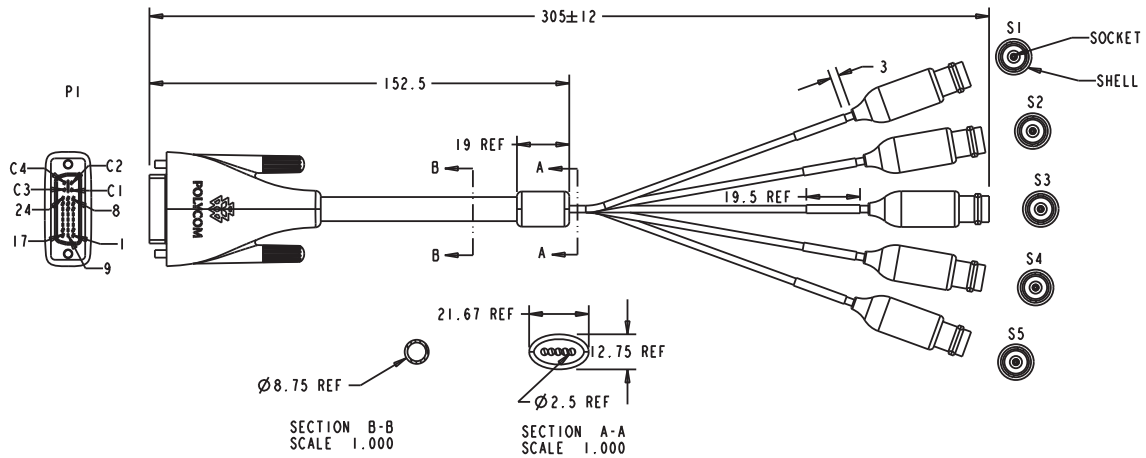
Drawings and part numbers are provided for reference only. Polycom claims no responsibility or liability for the quality, performance, or reliability of cables based on these reference drawings, other than cables provided by Polycom. Contact your Polycom distributor or Polycom Custom/Vertical Products to order cables that meet the appropriate manufacturing tolerances, quality, and performance parameters for your application.

BNC Monitor Adapter Cable



This cable connects the Polycom HDX system DVI-I output to a variety of analog display devices with composite, S-Video, component YPbPr, or RGBHV inputs. It is male DVI-A to five female BNC connectors.

Length	Part Number	RoHS Compliant
1 ft (0.3 m)	2457-23533-001	Yes



WIRING LIST							
SIGNAL	P1	WIRE	S1	S2	S3	S4	S5
VSync	8	COAX #1 CENTER	---	---	---	---	SOCKET
R/C/Pr	C1	COAX #2 CENTER	SOCKET	---	---	---	---
G/Y/Y/Comp.	C2	COAX #3 CENTER	---	SOCKET	---	---	---
B/-/Pb	C3	COAX #4 CENTER	---	---	SOCKET	---	---
HSync	C4	COAX #5 CENTER	---	---	---	SOCKET	---
GROUND	C5	COAX #1 SHIELD	SHELL	---	---	---	---
		COAX #2 SHIELD	---	SHELL	---	---	---
		COAX #3 SHIELD	---	---	SHELL	---	---
		COAX #4 SHIELD	---	---	---	SHELL	---
		COAX #5 SHIELD	---	---	---	---	SHELL



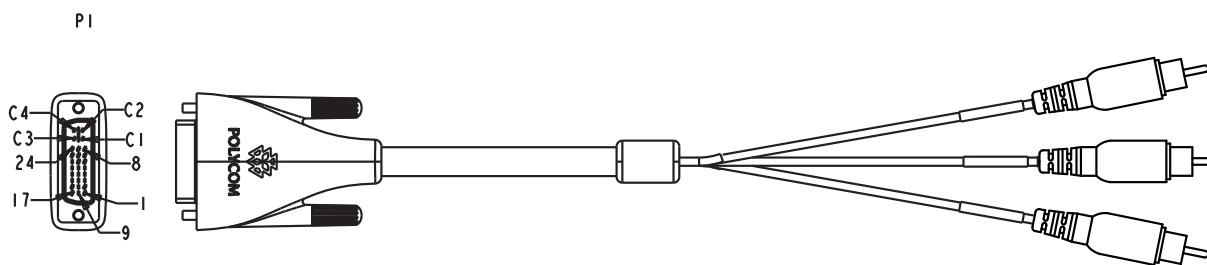
Drawings and part numbers are provided for reference only. Polycom claims no responsibility or liability for the quality, performance, or reliability of cables based on these reference drawings, other than cables provided by Polycom. Contact your Polycom distributor or Polycom Custom/Vertical Products to order cables that meet the appropriate manufacturing tolerances, quality, and performance parameters for your application.

Polycom HDX Component Monitor Cable



This cable connects a Polycom HDX system DVI-I output to a monitor with component connections. It is male DVI-A to three RCA.

Length	Part Number	RoHS Compliant
6 ft (1.8 m)	2457-52698-006	Yes
12 ft (3.6 m)	2457-52698-012	Yes



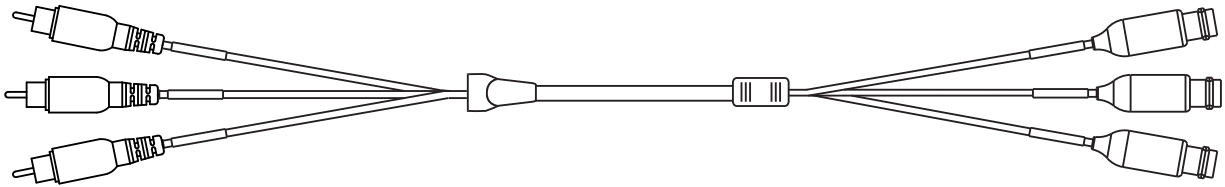
Drawings and part numbers are provided for reference only. Polycom claims no responsibility or liability for the quality, performance, or reliability of cables based on these reference drawings, other than cables provided by Polycom. Contact your Polycom distributor or Polycom Custom/Vertical Products to order cables that meet the appropriate manufacturing tolerances, quality, and performance parameters for your application.

HDX Component Video Cable



This cable connects a Polycom HDX system to a video playback device with component connections. It is three RCA to three male BNC.

Length	Part Number	RoHS Compliant
25 ft (7.6 m)	2457-52688-025	Yes



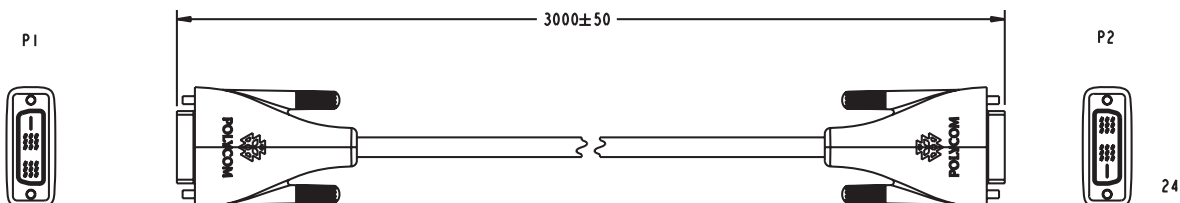
Drawings and part numbers are provided for reference only. Polycom claims no responsibility or liability for the quality, performance, or reliability of cables based on these reference drawings, other than cables provided by Polycom. Contact your Polycom distributor or Polycom Custom/Vertical Products to order cables that meet the appropriate manufacturing tolerances, quality, and performance parameters for your application.

DVI-D Monitor Cable



This cable connects a Polycom HDX system DVI-I output to a DVI-D monitor. It is male DVI-D on both ends.

Length	Part Number	RoHS Compliant
4 ft 6 in (1.5 m)	2457-25181-001	Yes
9 ft 10 in (3 m)	2457-23793-001	Yes



WIRING LIST				
SIGNAL	P1	P2	CABLE UNIT	CONDUCTOR
TMDS Data2-	1	1	D1	TIP
TMDS Data2+	2	2		RING
TMDS Data2 SHIELD	3	3		DRAIN
DDC Clock	6	6	E1	—
DDC Data	7	7	E2	—
TMDS Data1-	9	9	D2	TIP
TMDS Data1+	10	10		RING
TMDS Data1 Shield	11	11		DRAIN
+5 Volts	14	14	E3	—
+5 Volts Ground	15	15	E4	—
Hot Plug Detect	16	16	E5	—
TMDS Data0-	17	17	D3	TIP
TMDS Data0+	18	18		RING
TMDS Data0 Shield	19	19		DRAIN
TMDS Clock Shield	22	22	D4	DRAIN
TMDS Clock+	23	23		RING
TMDS Clock-	24	24		TIP
Shield	SHELL	SHELL	B,C	—



Drawings and part numbers are provided for reference only. Polycom claims no responsibility or liability for the quality, performance, or reliability of cables based on these reference drawings, other than cables provided by Polycom. Contact your Polycom distributor or Polycom Custom/Vertical Products to order cables that meet the appropriate manufacturing tolerances, quality, and performance parameters for your application.

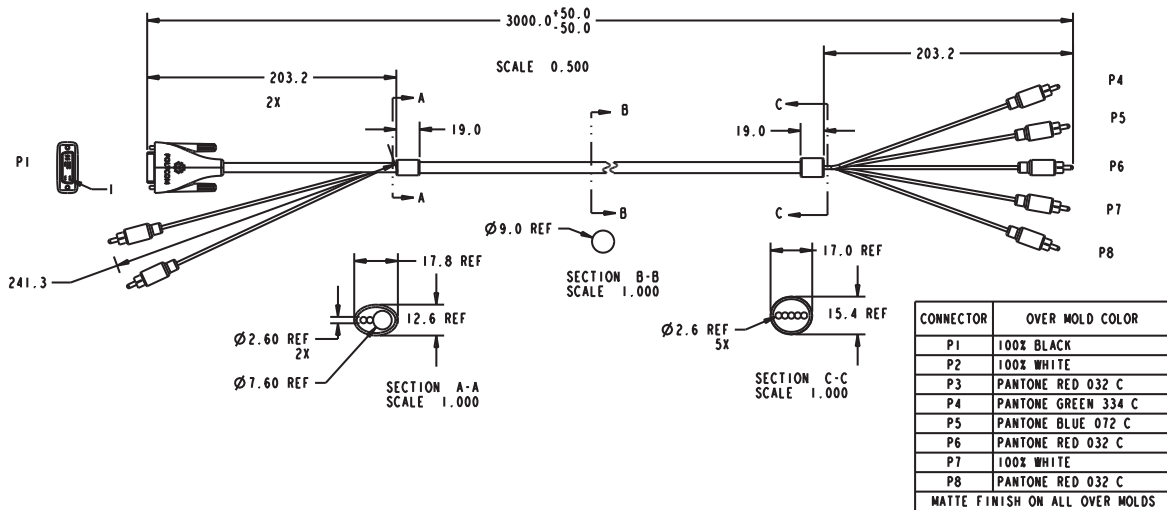
Component A/V Monitor Cable



This cable connects a Polycom HDX system DVI-I video output and stereo audio output to a monitor with component video and stereo audio connections. It is male DVI-A and dual male RCA to five RCA.

You must use the [Audio Adapter Cable](#) on page 2-54 to connect the dual RCA connectors on this component A/V monitor cable to the dual Phoenix connectors on the Polycom HDX system.

Length	Part Number	RoHS Compliant
9 ft 10 in (3 m)	2457-24772-001	Yes



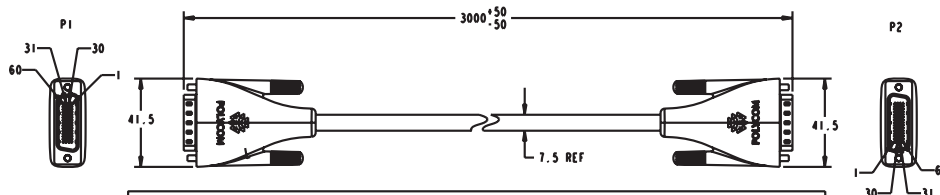
Drawings and part numbers are provided for reference only. Polycom claims no responsibility or liability for the quality, performance, or reliability of cables based on these reference drawings, other than cables provided by Polycom. Contact your Polycom distributor or Polycom Custom/Vertical Products to order cables that meet the appropriate manufacturing tolerances, quality, and performance parameters for your application.

HDCI Analog Camera Cable



This cable connects a Polycom HDX system to a Polycom EagleEye HD, Polycom EagleEye II, Polycom EagleEye III, or Polycom EagleEye Director camera. This cable can be connected to the EagleEye View camera, but does not support audio. It has male HDCI connectors on both ends.

Length	Part Number	RoHS Compliant
9 ft 10 in (3 m)	2457-23180-003	Yes
33 ft (10 m)	2457-23180-010	Yes
50 ft (15 m)	2457-23180-015	Yes
100 ft (30 m)	2457-23180-030	Yes

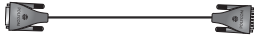


WIRING LIST					
SIGNAL NAME	P1 PIN#	P2 PIN#	CABLE UNIT	CONDUCTOR	COLOR
Y	47	47	D1	CENTER	
Y SHIELD	46	46		SHIELD	
Pb	13	13	D2	CENTER	
Pb SHIELD	12	12		SHIELD	
Pr	14	14	D3	CENTER	
Pr SHIELD	15	15		SHIELD	
+12 VDC	4	4	E1	-	
+12 VDC	5	5	E2	-	
+12 VDC	10	10	E3	-	
+12 VDC	11	11	E4	-	
GND	7	7	E5	-	
GND	8	8	E6	-	
GND	48	48	E7	-	
GND	58	58	E8	-	
Rx	1	1	E9	-	
Tx	2	2	E10	-	
IR	3	3	E11	-	
GND	SHELL	SHELL	B	-	



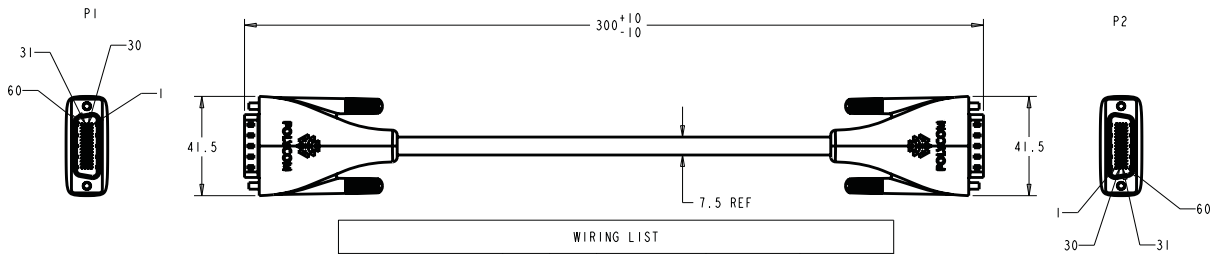
Drawings and part numbers are provided for reference only. Polycom claims no responsibility or liability for the quality, performance, or reliability of cables based on these reference drawings, other than cables provided by Polycom. Contact your Polycom distributor or Polycom Custom/Vertical Products to order cables that meet the appropriate manufacturing tolerances, quality, and performance parameters for your application.

HDCI Polycom EagleEye Director Camera Cable



This cable connects a Polycom EagleEye II or Polycom EagleEye III camera to the Polycom EagleEye Director base. It has male HDCI connectors on both ends.

Length	Part Number	RoHS Compliant
1 ft (0.3 m)	2457-26122-001	Yes

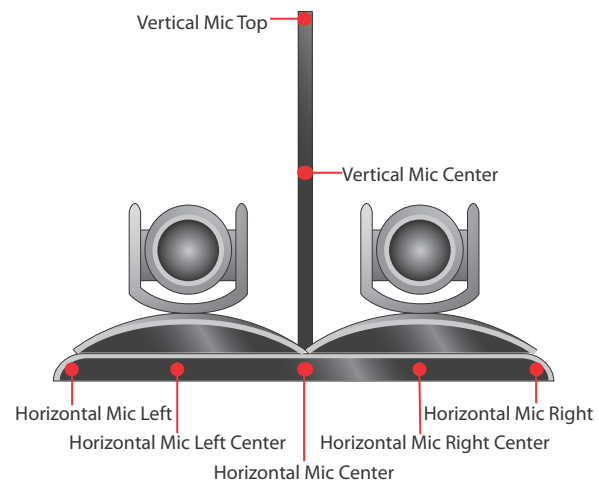


WIRING LIST					
SIGNAL NAME	P1 PIN#	P2 PIN#	CABLE UNIT	CONDUCTOR	COLOR
Y	47	47	D1	CENTER	
Y SHIELD	46	46		SHIELD	
Pb	13	13	D2	CENTER	
Pb SHIELD	12	12		SHIELD	
Pr	14	14	D3	CENTER	
Pr SHIELD	15	15		SHIELD	
+12 VDC	4	4	E1	-	
+12 VDC	5	5	E2	-	
+12 VDC	10	10	E3	-	
+12 VDC	11	11	E4	-	
GND	7	7	E5	-	
GND	8	8	E6	-	
GND	48	48	E7	-	
GND	58	58	E8	-	
Rx	1	1	E9	-	
Tx	2	2	E10	-	
IR	3	3	E11	-	
GND	SHELL	SHELL	B	-	



Drawings and part numbers are provided for reference only. Polycom claims no responsibility or liability for the quality, performance, or reliability of cables based on these reference drawings, other than cables provided by Polycom. Contact your Polycom distributor or Polycom Custom/Vertical Products to order cables that meet the appropriate manufacturing tolerances, quality, and performance parameters for your application.

As shown in the following figure, the EagleEye Director camera has seven microphones embedded in the base.



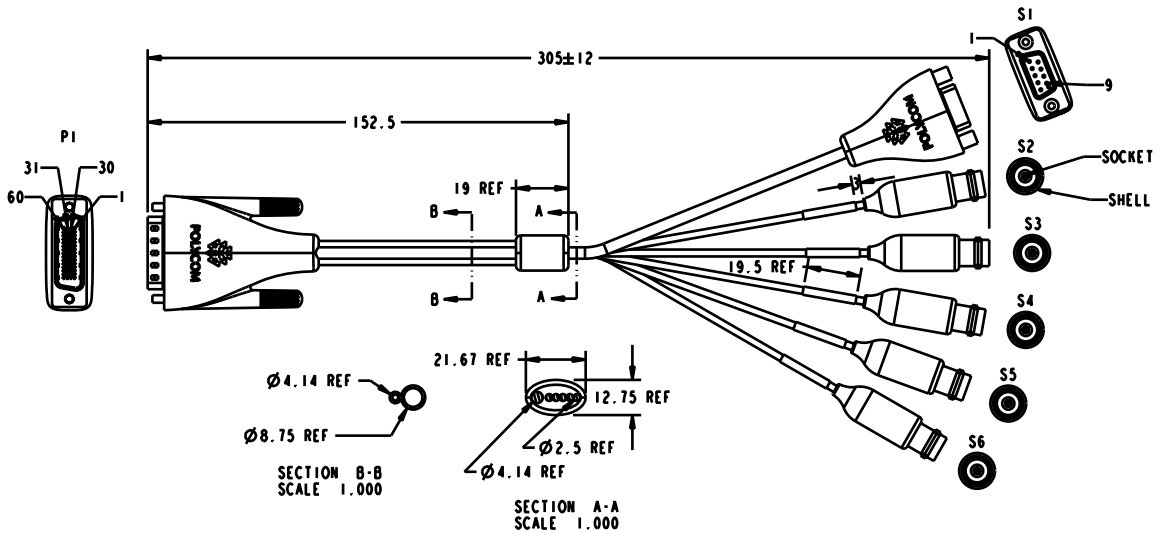
For information about positioning the camera, refer to the *Administrator's Guide for Polycom HDX Systems*.

HDCI Camera Break-Out Cable



This cable breaks out the HDCI camera cable video and control signals to standard interfaces. This cable can be connected to the EagleEye View camera, but does not support audio. The five BNC connectors can be used to carry composite video, S-Video, or analog component YPbPr video. The DB-9 connector is used to connect to PTZ camera control interfaces. It is male HDCI to five female BNC and one female DB-9.

Length	Part Number	RoHS Compliant
1ft (0.3 m)	2457-23521-001	Yes



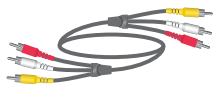
WIRING LIST								
SIGNAL	WIRE	P1	S1	S2	S3	S4	S5	S6
RS-232 Rx	28 AWG #1	1	2	---	---	---	---	---
RS-232 Tx	28 AWG #2	2	3	---	---	---	---	---
IR	28 AWG #3	3	9	---	---	---	---	---
GROUND	28 AWG #4	7	5	---	---	---	---	---
Pb/B SHIELD	COAX #1 SHIELD	12	---	---	---	SHELL	---	---
Pb/B	COAX #1 CENTER	13	---	---	---	SOCKET	---	---
Pr/R/C SHIELD	COAX #2 CENTER	14	---	SOCKET	---	---	---	---
Pr/R/C	COAX #2 SHIELD	15	---	SHELL	---	---	---	---
Y/G/C SHIELD	COAX #3 SHIELD	46	---	---	SHELL	---	---	---
Y/G/C	COAX #3 CENTER	47	---	---	SOCKET	---	---	---
HSync	COAX #4 CENTER	50	---	---	---	---	SOCKET	---
VSync	COAX #5 CENTER	51	---	---	---	---	---	SOCKET
HSync SHIELD	COAX #4 SHIELD	52	---	---	---	---	SHELL	---
VSync SHIELD	COAX #5 SHIELD	---	---	---	---	---	---	SHELL
---	BRAIDED SHIELD	SHIELD	SHIELD	---	---	---	---	---

Universal Breakout Cable				
		Video Output		
		Composite	Svideo	Component
3 x BNC	Red		C	Pr
	Green	C	Y	Y
	Blue			Pb



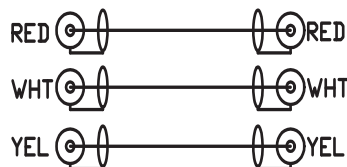
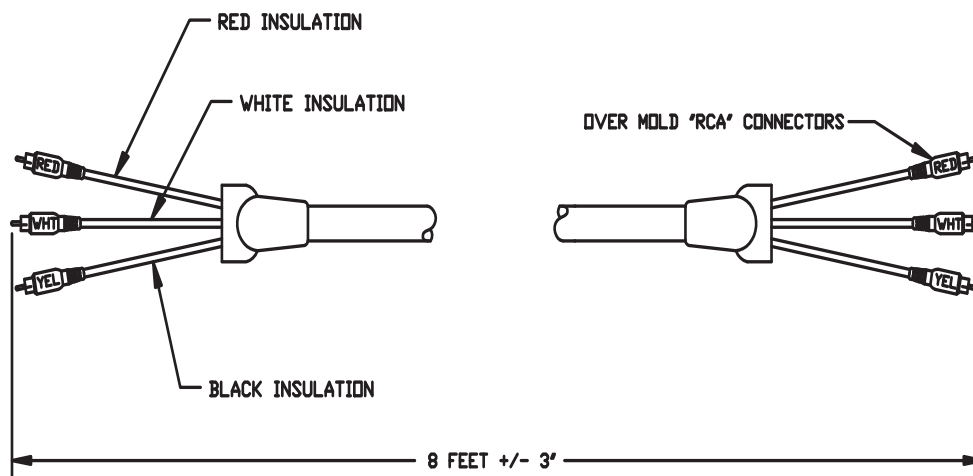
Drawings and part numbers are provided for reference only. Polycom claims no responsibility or liability for the quality, performance, or reliability of cables based on these reference drawings, other than cables provided by Polycom. Contact your Polycom distributor or Polycom Custom/Vertical Products to order cables that meet the appropriate manufacturing tolerances, quality, and performance parameters for your application.

VCR/DVD Composite Cable



This cable connects a Polycom HDX system to a VCR or DVD player. It has triple RCA connectors on both ends. The Polycom HDX system requires a female RCA to male BNC adapter for the yellow video RCA connector, and the [Audio Adapter Cable](#) on page 2-54. The maximum approved length for this cable is 50 ft (15 m).

Length	Part Number	RoHS Compliant
8 ft (2.6 m)	2457-08412-001	—



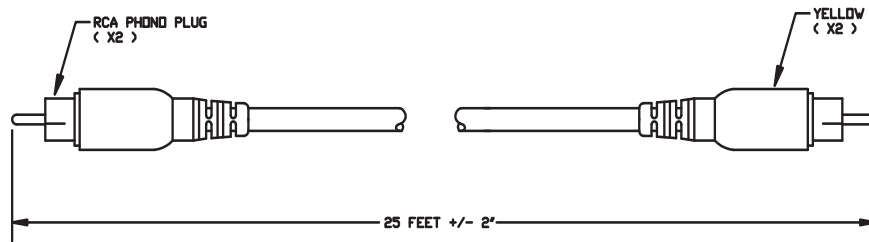
Drawings and part numbers are provided for reference only. Polycom claims no responsibility or liability for the quality, performance, or reliability of cables based on these reference drawings, other than cables provided by Polycom. Contact your Polycom distributor or Polycom Custom/Vertical Products to order cables that meet the appropriate manufacturing tolerances, quality, and performance parameters for your application.

Composite Video Cable



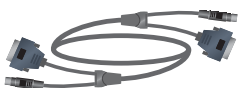
This cable connects a Polycom HDX system to a monitor or camera. It has single yellow RCA connectors on both ends. The Polycom HDX system requires a female RCA to male BNC adapter in order to connect to composite input or output. The maximum approved length for this cable is 100 ft (30 m).

Length	Part Number	RoHS Compliant
25 ft (7.6 m)	2457-09207-001	—



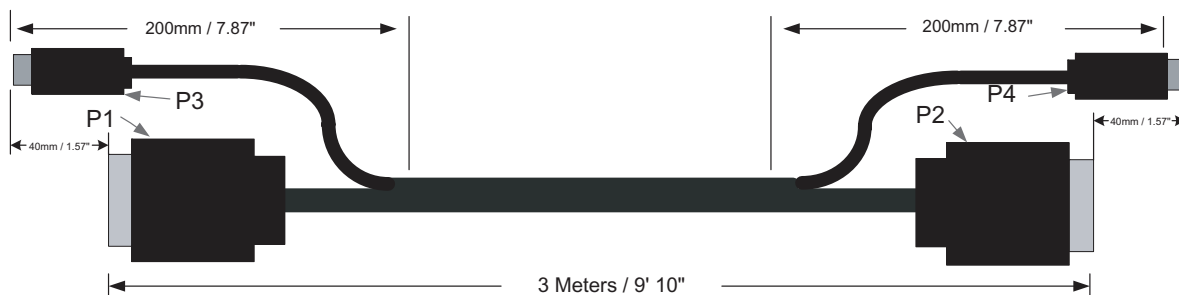
Drawings and part numbers are provided for reference only. Polycom claims no responsibility or liability for the quality, performance, or reliability of cables based on these reference drawings, other than cables provided by Polycom. Contact your Polycom distributor or Polycom Custom/Vertical Products to order cables that meet the appropriate manufacturing tolerances, quality, and performance parameters for your application.

PowerCam Plus Primary Cable



This cable connects a Polycom HDX system to a Polycom PowerCam Plus camera using the [HDCI PowerCam Plus Adapter Cable](#) on page 2-35. It has 4-pin mini-DIN and DB-15 connectors on both ends.

Length	Part Number	RoHS Compliant
9 ft 10 in (3 m)	1457-50105-002	Yes
30 ft (9 m)	1457-50105-230	Yes
50 ft (15 m)	1457-50105-250	Yes
100 ft (30 m)	1457-50105-300	Yes
150 ft (45 m)	1457-50105-350	Yes



Front View of Connector



P1 Connector		P2 Connector	
Pin #	Signal Name	Pin #	Signal Name
1	Arm Mic	1	Arm Mic
2	Left Mic	2	Left Mic
3	A.GND	3	A.GND
4	Cam ID Bit	4	Cam ID Bit
5	P.GND	5	P.GND
6	+12V	6	+12V
7	SW-RX/SN-TX	7	SW-RX/SN-TX
8	IR signal	8	IR signal
9	Center Mic	9	Center Mic
10	Right Mic	10	Right Mic
11	A.GND	11	A.GND
12	P.GND	12	P.GND
13	+12V	13	+12V
14	SW-TX/SN-RX	14	SW-TX/SN-RX
15	IR return	15	IR return
P3 4 Pin mini Din		P4 4 Pin mini Din	
1	A.GND	1	A.GND
2	A.GND	2	A.GND
3	Luma	3	Luma
4	Chroma	4	Chroma



Front View of Connector



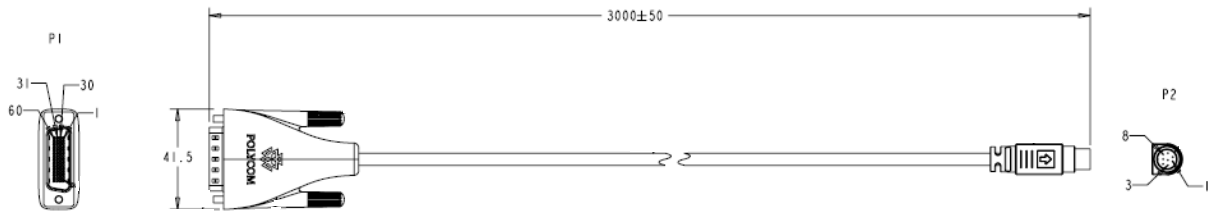
Drawings and part numbers are provided for reference only. Polycom claims no responsibility or liability for the quality, performance, or reliability of cables based on these reference drawings, other than cables provided by Polycom. Contact your Polycom distributor or Polycom Custom/Vertical Products to order cables that meet the appropriate manufacturing tolerances, quality, and performance parameters for your application.

HDCI PowerCam Cable



This cable connects a Polycom HDX system to a Polycom PowerCam camera. It is HDCI to 8-pin mini-DIN.

Length	Part Number	RoHS Compliant
10 ft (3 m)	2457-28168-001	Yes



WIRING LIST			
SIGNAL NAME	P1	CABLE UNIT	P2
Rx (CODEC)	1	E1	2
Tx (CODEC)	2	E2	1
IR	3	E3	4
+12V	4	E4	7
	5	E5	
	10	E6	
	11	E7	
P GND & IR RTN	7	E8	3
	8	E9	
	48	E10	
	58	E11	
A GND	15	SHIELD D1	5
	46	SHIELD D2	
CHROMA	14	CTR D1	8
LUMA	47	CTR D2	6
SHIELD	SHELL	BRAID	SHELL



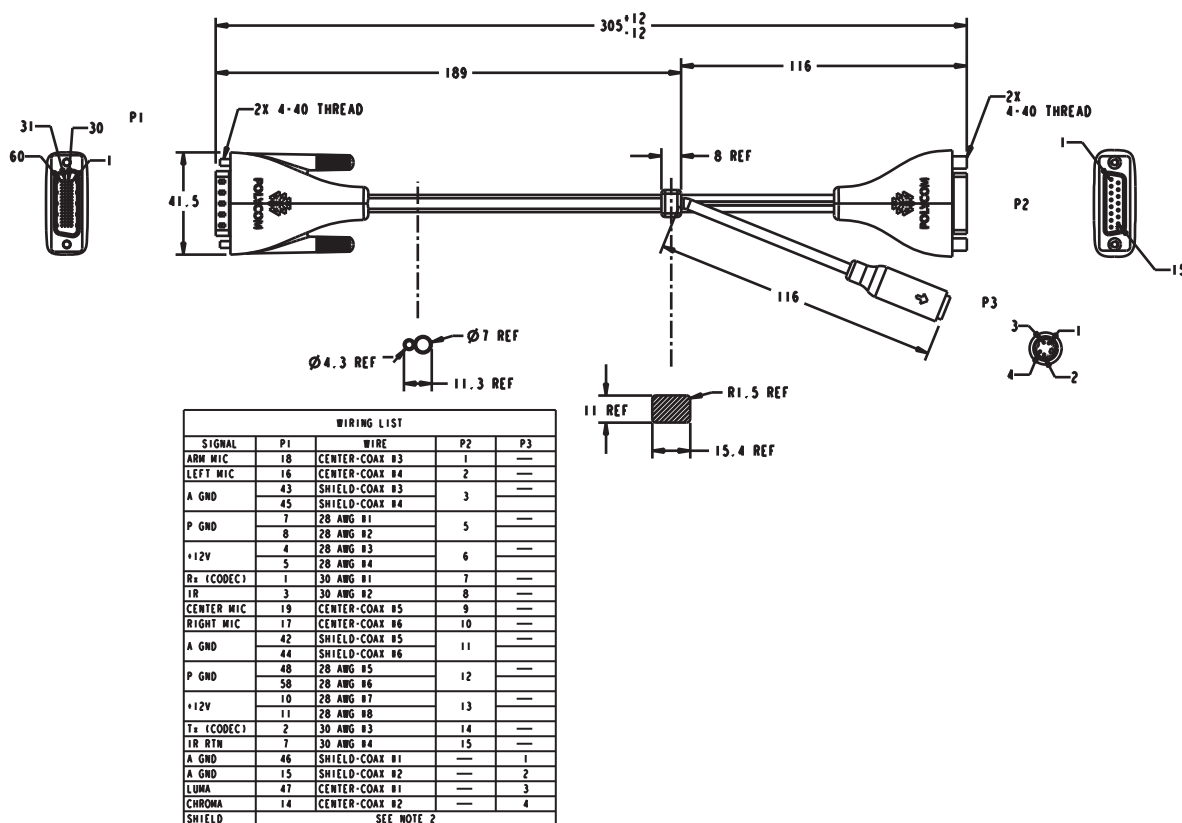
Drawings and part numbers are provided for reference only. Polycom claims no responsibility or liability for the quality, performance, or reliability of cables based on these reference drawings, other than cables provided by Polycom. Contact your Polycom distributor or Polycom Custom/Vertical Products to order cables that meet the appropriate manufacturing tolerances, quality, and performance parameters for your application.

HDCI PowerCam Plus Adapter Cable



This cable adapts a PowerCam Plus cable to HDCI. It is HDCI to 4-pin mini-DIN and DB-15. It can also be used with the [PowerCam Primary Camera Cable](#) on page 2-41 to connect PowerCam.

Length	Part Number	RoHS Compliant
1 ft (0.3 m)	2457-23481-001	Yes



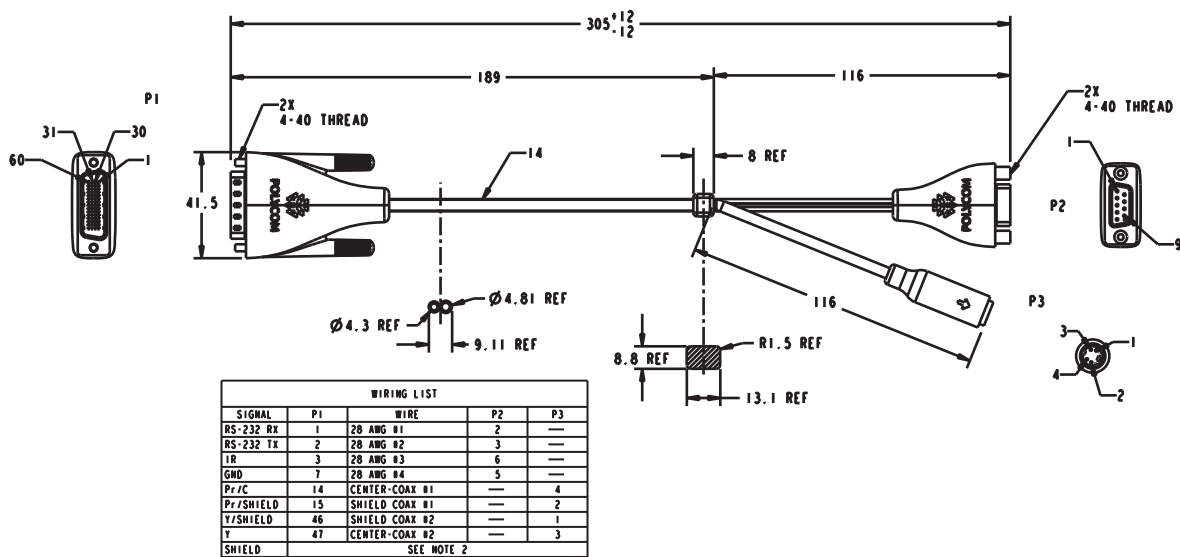
Drawings and part numbers are provided for reference only. Polycom claims no responsibility or liability for the quality, performance, or reliability of cables based on these reference drawings, other than cables provided by Polycom. Contact your Polycom distributor or Polycom Custom/Vertical Products to order cables that meet the appropriate manufacturing tolerances, quality, and performance parameters for your application.

HDCI VISCA Adapter Cable



This cable connects a Polycom HDX system HDCI video input to SD cameras with VISCA control that use a DB-9 serial connector. It is HDCI to 4-pin mini-DIN and DB-9. Standard S-Video and DB-9 serial cables are required to connect this cable to the camera.

Length	Part Number	RoHS Compliant
1 ft (0.3 m)	2457-23486-001	Yes



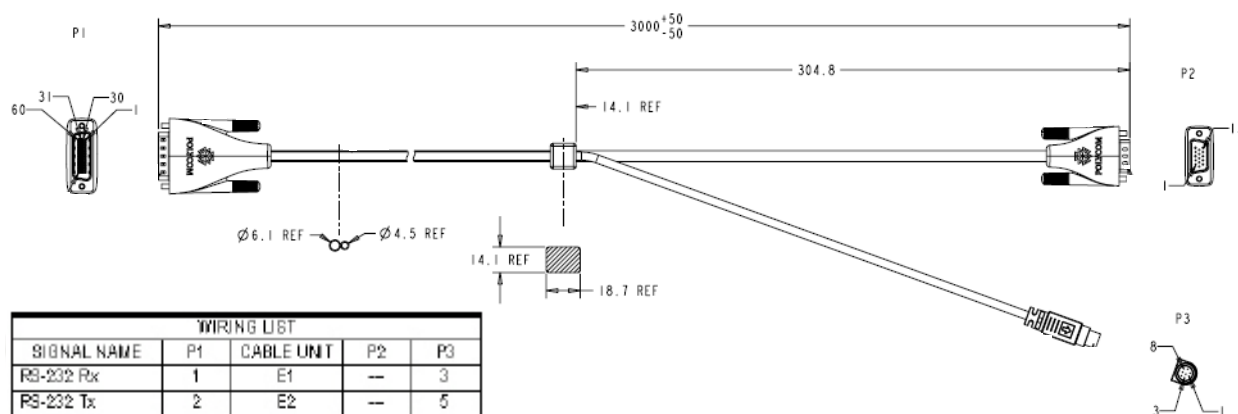
Drawings and part numbers are provided for reference only. Polycom claims no responsibility or liability for the quality, performance, or reliability of cables based on these reference drawings, other than cables provided by Polycom. Contact your Polycom distributor or Polycom Custom/Vertical Products to order cables that meet the appropriate manufacturing tolerances, quality, and performance parameters for your application.

HDCI Polycom EagleEye 1080 Camera Cable



This cable connects a Polycom HDX system HDCI video input to a Polycom EagleEye 1080 camera or to a Sony HD camera. The cable is HDCI to 8-pin mini-DIN and HD-15.

Length	Part Number	RoHS Compliant
9 ft 10 in (3 m)	2457-28153-001	Yes
33 ft (10 m)	2457-28154-001	Yes
50 ft (15m)	2457-28154-050	Yes
100 ft (30m)	2457-28154-100	Yes



WIRING LIST				
SIGNAL NAME	P1	CABLE UNIT	P2	P3
RS-232 Rx	1	E1	--	3
RS-232 Tx	2	E2	--	5
IR	3	E3	--	7
				8
GROUND	7	E4	--	4
B SHIELD	12	D1 SHIELD	8	--
B	13	D1 CENTER	3	--
R	14	D2 CENTER	1	--
R SHIELD	16	D2 SHIELD	6	--
G SHIELD	46	D3 SHIELD	7	--
G	47	D3 CENTER	2	--
H SYNC	50	D4 CENTER	13	--
V SYNC	51	D5 CENTER	14	--
V SYNC GROUND	52	D4 SHIELD	11	--
H BYNC		D5 SHIELD	10	--
GROUND	48	E5	4	--
	53	E6	5	--
SHIELD	SHELL	B1	--	SHELL
		B2	SHELL	--



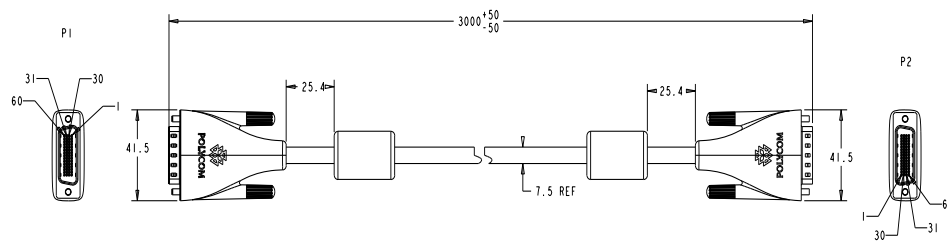
Drawings and part numbers are provided for reference only. Polycom claims no responsibility or liability for the quality, performance, or reliability of cables based on these reference drawings, other than cables provided by Polycom. Contact your Polycom distributor or Polycom Custom/Vertical Products to order cables that meet the appropriate manufacturing tolerances, quality, and performance parameters for your application.

HDCI Polycom EagleEye View Camera Cable



This cable connects a Polycom HDX system HDCI video input to a Polycom EagleEye View camera. It has male HDCI connectors on both ends.

Length	Part Number	RoHS Compliant
9 ft 10 in (3 m)	2457-29759-001	Yes
33 ft (10 m)	2457-29759-010	Yes



WIRING LIST				
SIGNAL NAME	P1 PIN#	P2 PIN#	CABLE UNIT	CONDUCTOR
Y	47	47	D1	CENTER
Y SHIELD	46	46	D1	SHIELD
Pb	13	13	D2	CENTER
Pb SHIELD	12	12	D2	SHIELD
Pr	14	14	D3	CENTER
Pr SHIELD	15	15	D3	SHIELD
LEFT MIC	16	16	D4	CENTER
LEFT MIC SHIELD	45	45	D4	SHIELD
RIGHT MIC	17	17	D5	CENTER
RIGHT MIC SHIELD	44	44	D5	SHIELD
+12 VDC	4	4	E1	-
+12 VDC	5	5	E2	-
+12 VDC	10	10	E3	-
+12 VDC	11	11	E4	-
GND	7	7	E5	-
GND	8	8	E6	-
GND	48	48	E7	-
GND	58	58	E8	-
Rx	1	1	E9	-
Tx	2	2	E10	-
TR	3	3	E11	-
GND	SHELL	SHELL	B	-



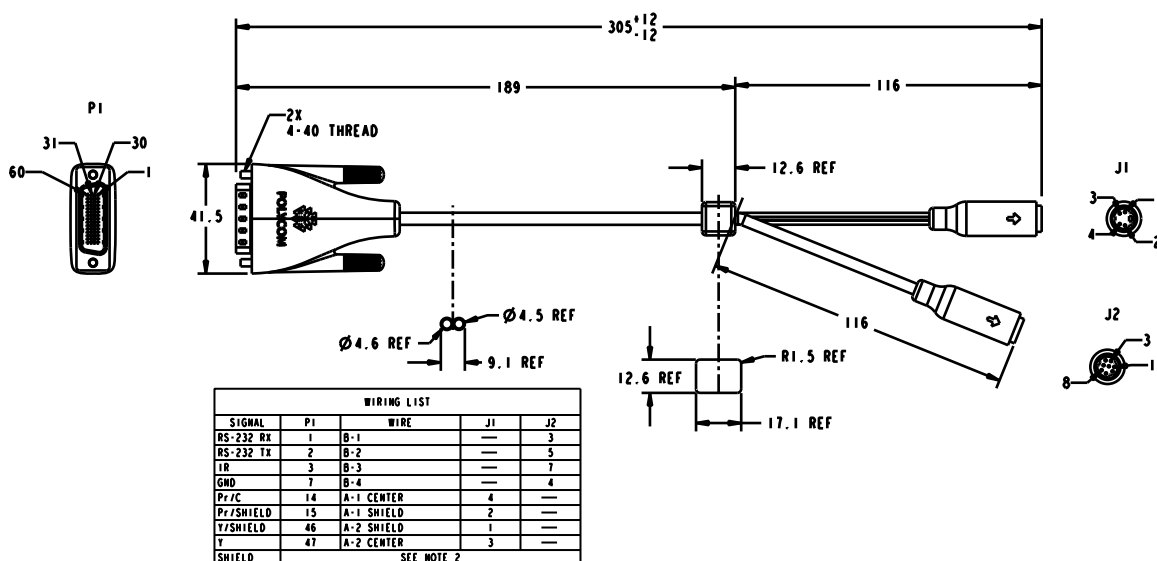
Drawings and part numbers are provided for reference only. Polycom claims no responsibility or liability for the quality, performance, or reliability of cables based on these reference drawings, other than cables provided by Polycom. Contact your Polycom distributor or Polycom Custom/Vertical Products to order cables that meet the appropriate manufacturing tolerances, quality, and performance parameters for your application.

HDCI Sony VISCA Adapter Cable



This cable connects a Polycom HDX system HDCI video input to a camera using Sony 8-pin mini-DIN VISCA and S-Video. It is HDCI to 8-pin mini-DIN and S-Video. Standard S-Video and Sony VISCA cables are required to connect this cable to the camera. The VISCA cable is a straight-through male 8-pin mini-DIN to male 8-pin mini-DIN serial cable.

Length	Part Number	RoHS Compliant
1 ft (0.3 m)	2457-23549-001	Yes



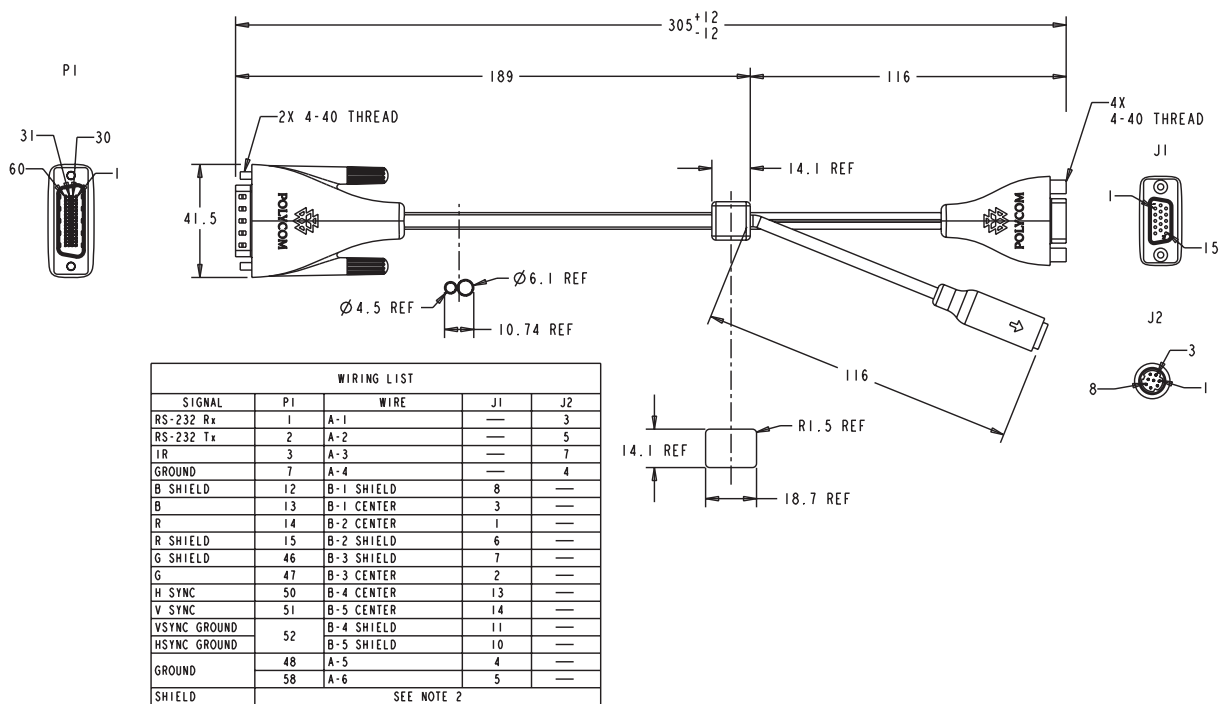
Drawings and part numbers are provided for reference only. Polycom claims no responsibility or liability for the quality, performance, or reliability of cables based on these reference drawings, other than cables provided by Polycom. Contact your Polycom distributor or Polycom Custom/Vertical Products to order cables that meet the appropriate manufacturing tolerances, quality, and performance parameters for your application.

HDCI EagleEye 1080 or Sony Adapter Cable



This cable connects a Polycom system HDCI video input to the Polycom EagleEye 1080, Sony EVI-HD1 PTZ, or Sony BRC-H700 PTZ cameras. It is HDCI to 8-pin mini-DIN and HD-15. The maximum approved length for this cable is 100 ft (30 m).

Length	Part Number	RoHS Compliant
1 ft (0.3 m)	2457-23548-001	Yes



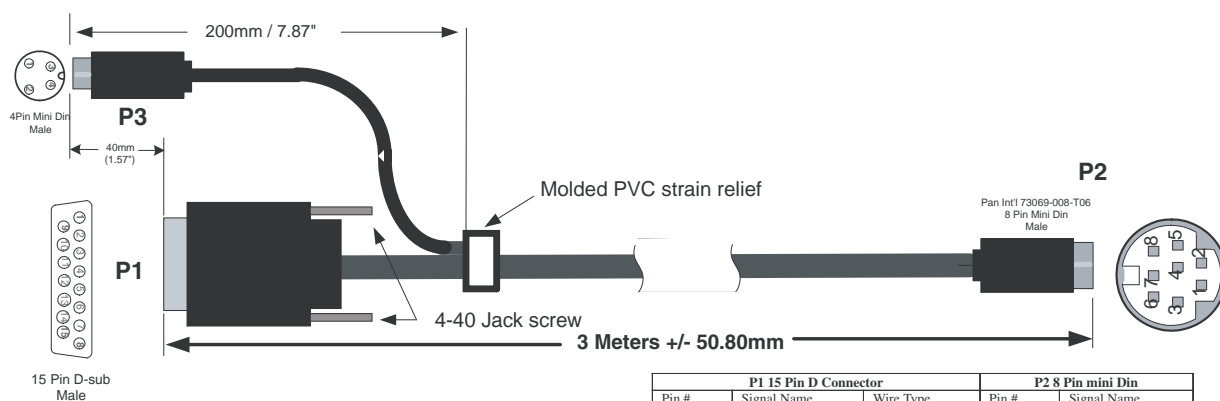
Drawings and part numbers are provided for reference only. Polycom claims no responsibility or liability for the quality, performance, or reliability of cables based on these reference drawings, other than cables provided by Polycom. Contact your Polycom distributor or Polycom Custom/Vertical Products to order cables that meet the appropriate manufacturing tolerances, quality, and performance parameters for your application.

PowerCam Primary Camera Cable



This cable connects the Polycom HDX system video input 1 to a Polycom PowerCam camera up to 10 ft away when used with the [HDCI PowerCam Plus Adapter Cable](#) on page 2-35. It is 8-pin mini-DIN to 4-pin mini-DIN and DB-15. The maximum approved length for this cable is 10 ft (3 m).

Length	Part Number	RoHS Compliant
9 ft 10 in (3 m)	1457-50338-002	Yes



P1 15 Pin D Connector			P2 8 Pin mini Din	
Pin #	Signal Name	Wire Type	Pin #	Signal Name
1-4	N/C			
5	PGND	22AWG wire	3	DGND
6	+12V	22 AWG wire	7	+12V
7	SW-RX/SN-TX	30 AWG wire	2	SW-RX/SN-TX
8	IR-SIGNAL	30 AWG wire	4	IR SIGNAL
9-11	N/C			
12	P GND	22 AWG wire	3	DGND
13	+12V	22 AWG wire	7	+12V
14	SW-TX/SN-RX	30 AWG wire	1	SW-TX/SN-RX
15	IR RETURN	30 AWG wire	3	DGND
SHIELD		DRAIN wire	SHIELD	
P3 4 Pin Mini Din				
1	RTN	Coax Shield	5	GVID
2	RTN	Coax Shield	5	GVID
3	Luma	Micro Coax	6	Luma
4	Chroma	Micro Coax	8	Chroma
SHIELD		DRAIN wire	SHIELD	



Drawings and part numbers are provided for reference only. Polycom claims no responsibility or liability for the quality, performance, or reliability of cables based on these reference drawings, other than cables provided by Polycom. Contact your Polycom distributor or Polycom Custom/Vertical Products to order cables that meet the appropriate manufacturing tolerances, quality, and performance parameters for your application.

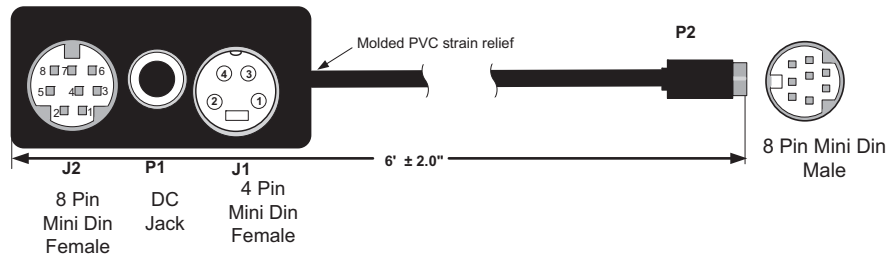
PowerCam Break-Out Cable



This cable connects S-Video and control cables and a power supply to a Polycom PowerCam camera. This combination is required when using the PowerCam as the primary camera more than 10 ft away from the system, or as the secondary camera. It is 8-pin mini-DIN to 3-way breakout block.

A separate power supply is required (part number 1465-52621-036).

Length	Part Number	RoHS Compliant
6 ft (1.8 m)	2457-50526-200	Yes



Signal Name	P1	P2	J1	J2
TXD	---	1	---	5
RXD	---	2	---	3
DGND	1	3	---	6 & 4
IR-SIGNAL	---	4	---	7
CHROMAR	---	5	1	---
LUMAR	---	5	2	---
LUMA (Y)	---	6	3	---
+12V	2	7	---	---
CHROMA (C)	---	8	4	---
SHIELD	---	Shield	---	Shield



Drawings and part numbers are provided for reference only. Polycom claims no responsibility or liability for the quality, performance, or reliability of cables based on these reference drawings, other than cables provided by Polycom. Contact your Polycom distributor or Polycom Custom/Vertical Products to order cables that meet the appropriate manufacturing tolerances, quality, and performance parameters for your application.

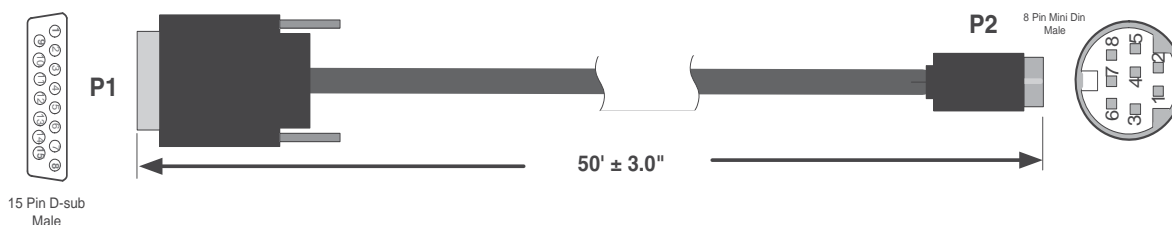
PowerCam Plus/VISCA Control Cable

8-pin mini-DIN to DB-15



This cable adapts the 8-pin mini-DIN VISCA control interface to the PowerCam Plus DB-15 control interface. It is used with the PowerCam Break-Out cable and the HDCI PowerCam Plus adapter cable. It is 8-pin mini-DIN to DB-15.

Length	Part Number	RoHS Compliant
50 ft (15 m)	1457-50527-201	Yes



P1 15 Pin D Connector		P2 VISCA 8 Pin mini Din	
Pin #	Signal Name	Pin #	Signal Name
1-6, 9-11, 13	NC	1, 2, 8	NC
7	SW-RX/SN-TX	3	SW-RX/SN-TX
8	IR-SIGNAL	7	IR OUT
12	P GND	4	GND
14	SW-TX/SN-RX	5	SW-TX/SN-RX
15	IR RETURN	6	GND
SHIELD		SHIELD	



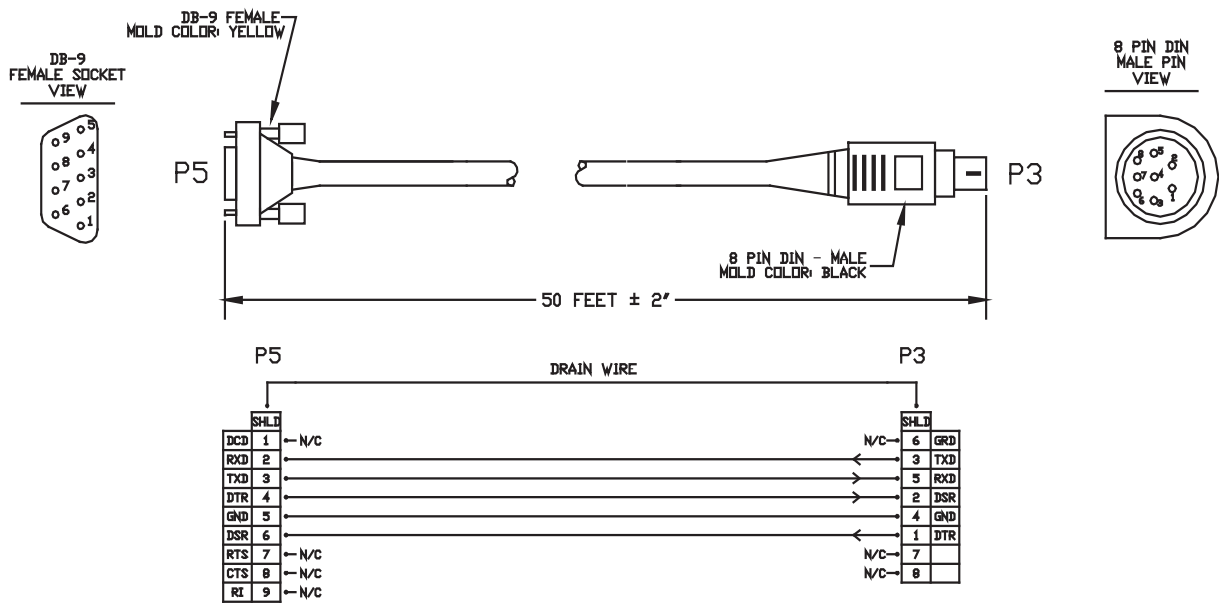
Drawings and part numbers are provided for reference only. Polycom claims no responsibility or liability for the quality, performance, or reliability of cables based on these reference drawings, other than cables provided by Polycom. Contact your Polycom distributor or Polycom Custom/Vertical Products to order cables that meet the appropriate manufacturing tolerances, quality, and performance parameters for your application.

8-pin mini-DIN to DB-9



This cable connects Polycom HDX system serial port inputs to a non-Polycom camera using a VISCA 8-pin DIN connector, or to a Polycom PowerCam break-out cable with a PowerCam camera. It is 8-pin mini-DIN to DB-9. RTS/CTS and IR are not supported on this cable.

Length	Part Number	RoHS Compliant
50 ft (15 m)	2457-10029-200	Yes



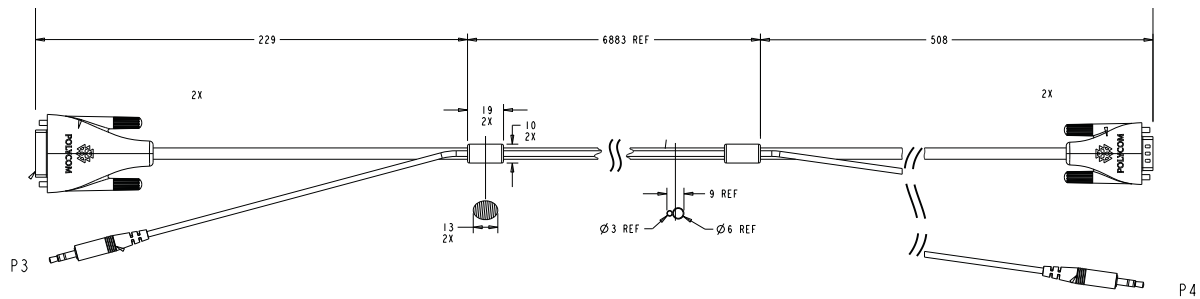
Drawings and part numbers are provided for reference only. Polycom claims no responsibility or liability for the quality, performance, or reliability of cables based on these reference drawings, other than cables provided by Polycom. Contact your Polycom distributor or Polycom Custom/Vertical Products to order cables that meet the appropriate manufacturing tolerances, quality, and performance parameters for your application.

People+Content Cable



This cable connects a PC with VGA and 3.5mm stereo audio output to the DVI and 3.5 mm audio input of the HDX system.

Length	Part Number	RoHS Compliant
25 ft (7.62 m)	2457-28665-001	Yes



WIRING LIST				
SIGNAL	P1	P2	CABLE UNIT	CONDUCTOR
RED	C1	1	D1	CENTER
GREEN	C2	2	D2	CENTER
BLUE	C3	3	D3	CENTER
H-SYNC	C4	13	E1	-
GROUND-RED	C5	6	D1	SHIELD
GROUND-GREEN		7	D2	SHIELD
GROUND-BLUE		8	D3	SHIELD
DDC-SCL	6	15	E2	-
DDC-SDA	7	12	E3	-
V-SYNC	8	14	E4	-
+5V DC	14	9	E5	-
	16			
GROUND	15	5	E6	-
		10		
SHIELD	SHELL	SHELL	B.C	-
SIGNAL	P3	P4	CABLE UNIT	CONDUCTOR
LEFT	TIP	TIP	G	TIP
RIGHT	RING	RING	G	RING
GROUND	SLEEVE	SLEEVE	F	-

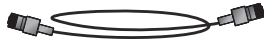


Drawings and part numbers are provided for reference only. Polycom claims no responsibility or liability for the quality, performance, or reliability of cables based on these reference drawings, other than cables provided by Polycom. Contact your Polycom distributor or Polycom Custom/Vertical Products to order cables that meet the appropriate manufacturing tolerances, quality, and performance parameters for your application.

Audio Cables

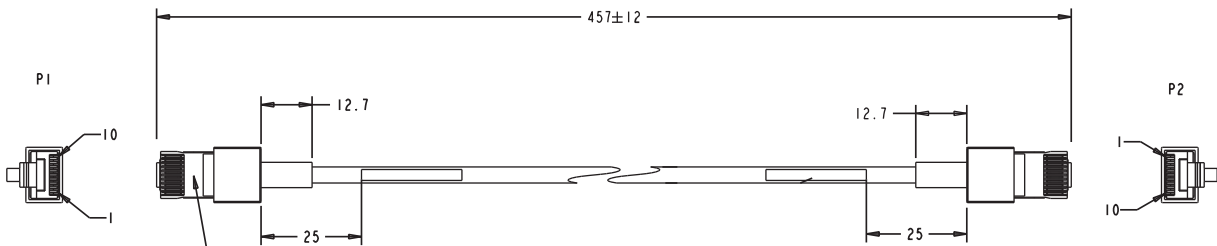
Polycom HDX Microphone Host Cable

For more information about supported microphone configurations, refer to the *Administrator's Guide for Polycom HDX Systems*.



This cable connects a Polycom HDX system to the Polycom SoundStructure C-Series mixer. It is unkeyed male RJ-45 on both ends.

Length	Part Number	RoHS Compliant
18 in (0.5 m)	2457-23574-001	Yes
25 ft (7.5 m)	2457-23217-001	Yes



2X
BEL STEWART CONNECTOR
P.N. 937-SP-361010-031-A108

WIRING LIST			
P1	P2	CABLE UNIT	CONDUCTOR
2	6	TWISTED PAIR #1	1
3	7		2
6	2	TWISTED PAIR #2	1
7	3		2
8	8	CONDUCTOR #1	-
9	9	CONDUCTOR #2	-
4	4	DRAIN	-
SHIELD	SHIELD	SHIELD	

PINS 1, 5 AND 10 OF P1 & P2 ARE NOT USED AND SHALL BE LEFT OPEN.

COLOR	AWG	P1		P2
WHITE/GREEN	24	1		5
GREEN	24	2		6
WHITE/ORANGE	24	5		1
ORANGE	24	6		2
WHITE/BROWN	24	7		7
BROWN	24	8		8
DRAIN WIRE		3		3
SHIELD		SHIELD		SHIELD

P1 - RJ-45 shielded plug, Tyco 5-569552 or equivalent
P2 - RJ-45 shielded plug, Tyco 5-569552 or equivalent



When connecting two Polycom HDX microphone host devices, a cross-over cable is required. To build a custom cross-over cable for this purpose, you should use shielded CAT5 or better cable. Each end of the custom cable should have a shielded RJ-45 plug connector that connects to a Polycom HDX microphone host device. The maximum supported cable length is 100 feet.

Due to differing use of the twisted pairs within the cable, the pinout for this custom CAT5 cross-over cable is not the same as the pinout that is used for standard Ethernet cables. Do not use standard Ethernet cables. Instead, for best cable performance, refer to the following pinout information to create this custom CAT5 cross-over cable.



Drawings and part numbers are provided for reference only. Polycom claims no responsibility or liability for the quality, performance, or reliability of cables based on these reference drawings, other than cables provided by Polycom. Contact your Polycom distributor or Polycom Custom/Vertical Products to order cables that meet the appropriate manufacturing tolerances, quality, and performance parameters for your application.

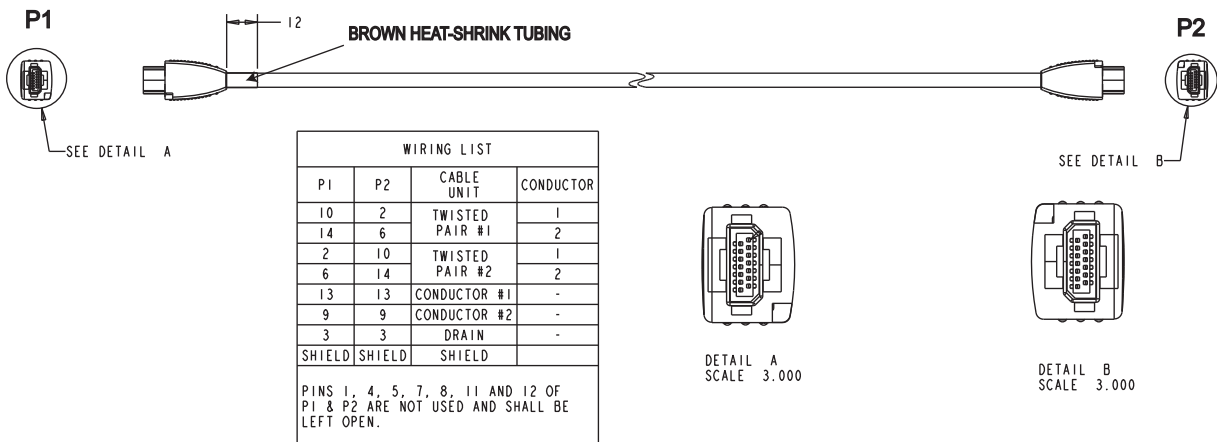
Polycom HDX Microphone Array Cable

For more information about supported microphone configurations, refer to the *Administrator's Guide for Polycom HDX Systems*.



This cable connects two Polycom HDX microphones together. This cable can also be used with the [Polycom HDX Microphone Array Cable Adapter](#) on page 2-49 to connect a Polycom HDX system to a Polycom HDX microphone array or to a SoundStation IP 7000 phone. It has male Walta connectors on both ends.

Length	Part Number	RoHS Compliant
15 ft (4.6 m)	2457-23215-001	Yes
25 ft (7.6 m)	2457-23216-001	Yes



Drawings and part numbers are provided for reference only. Polycom claims no responsibility or liability for the quality, performance, or reliability of cables based on these reference drawings, other than cables provided by Polycom. Contact your Polycom distributor or Polycom Custom/Vertical Products to order cables that meet the appropriate manufacturing tolerances, quality, and performance parameters for your application.

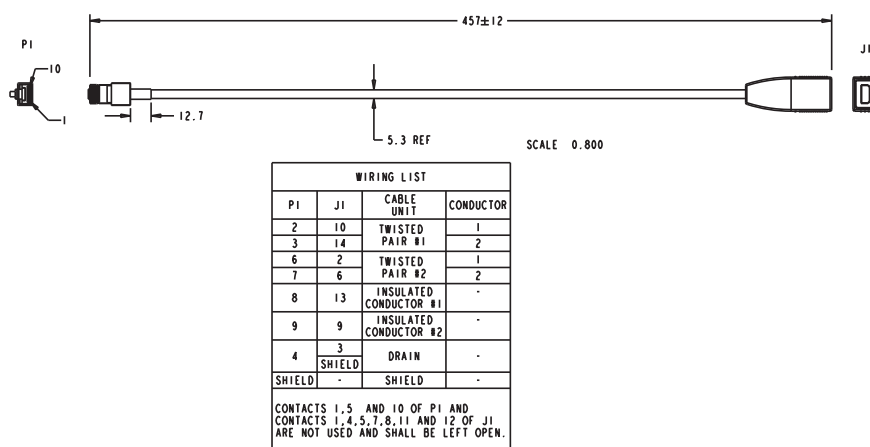
Polycom HDX Microphone Array Cable Adapter

For more information about supported microphone cable configurations, refer to the *Administrator's Guide for Polycom HDX Systems*.

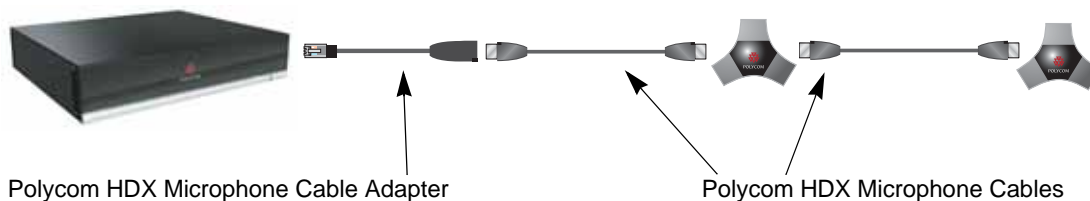


This cable adapts the [Polycom HDX Microphone Array Cable](#) on page 2-48 for use with the Polycom HDX 9000 Series system and the SoundStructure C-Series mixer. It is male RJ-45 to female Walta.

Length	Part Number	RoHS Compliant
18 in (0.5 m)	2457-23716-001	Yes



The following diagram shows microphone connection options for Polycom HDX 9000 Series systems, using cables available from Polycom.



Do not connect Polycom microphone cables or devices to the Ethernet port, and do not connect an Ethernet cable or device to the Polycom microphone input.



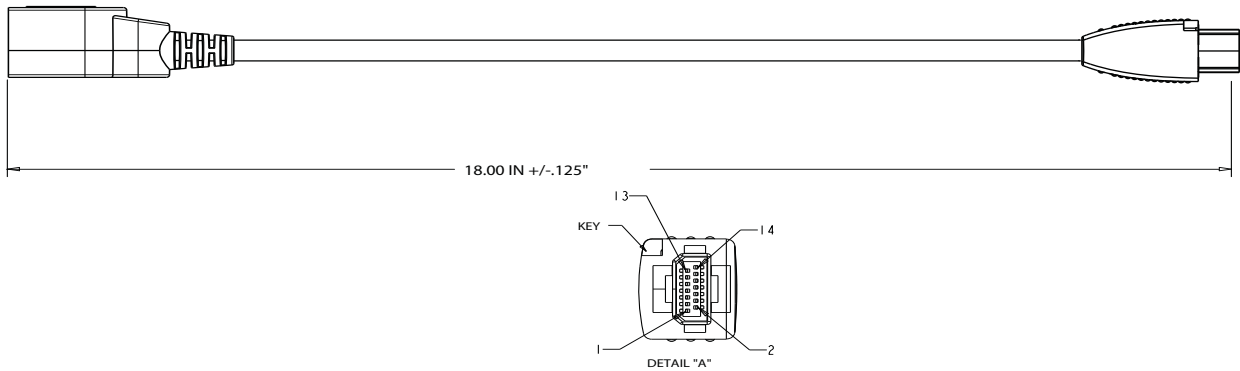
Drawings and part numbers are provided for reference only. Polycom claims no responsibility or liability for the quality, performance, or reliability of cables based on these reference drawings, other than cables provided by Polycom. Contact your Polycom distributor or Polycom Custom/Vertical Products to order cables that meet the appropriate manufacturing tolerances, quality, and performance parameters for your application.

Polycom HDX Ceiling Microphone Adaptor Cable



This cable connects a Polycom HDX system to the Polycom microphone array. It is male Walta to RJ-45.

Length	Part Number	RoHS Compliant
25 ft (7.6 m)	2457-25646-001	Yes



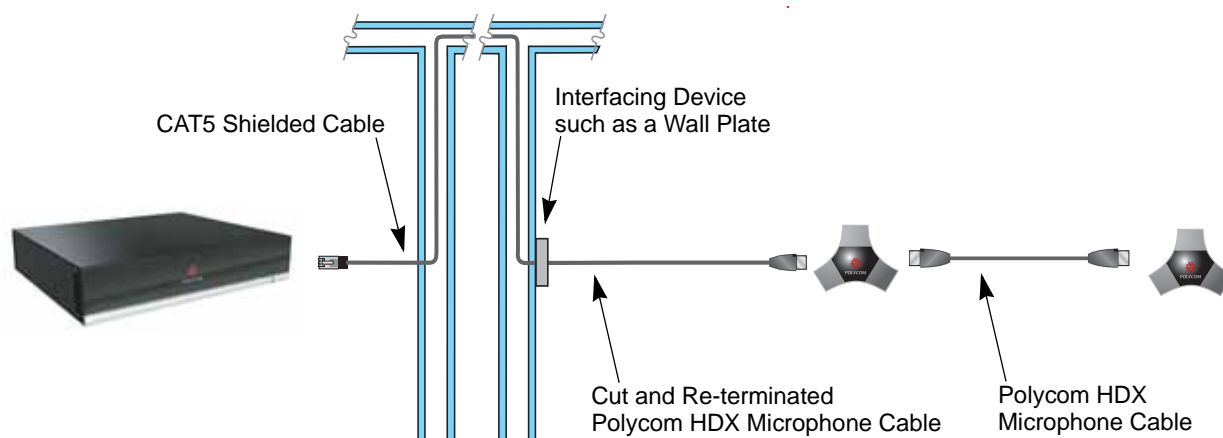
Drawings and part numbers are provided for reference only. Polycom claims no responsibility or liability for the quality, performance, or reliability of cables based on these reference drawings, other than cables provided by Polycom. Contact your Polycom distributor or Polycom Custom/Vertical Products to order cables that meet the appropriate manufacturing tolerances, quality, and performance parameters for your application.

Custom Cabling for Polycom HDX Microphones

You can create a custom-length cable that connects a Polycom HDX system to a Polycom HDX microphone. Start with the microphone cable (part number 2457-23216-001), and cut off the P1 end. Using the wiring tables shown, create a custom cable from the microphone to a wall plate or other interfacing device. Next, from the wall plate or other interfacing device, run shielded CAT5 or better cable to the Polycom HDX system, terminating with a shielded RJ-45 plug connector.

The total length from the Polycom HDX system to the first Polycom microphone can vary between 18 in and 100 ft. The maximum length between subsequent microphones is 25 ft.

The following diagram shows an example of longer custom cabling from a Polycom HDX system to a Polycom microphone or a Polycom SoundStation IP 7000 Phone.



The following steps explain how to wire this custom cable configuration.

- 1 Identify the P1 connector on the Polycom HDX microphone cable according to the location of the brown heat-shrink tubing as shown on [page 2-48](#). Remove the P1 connector and skip to step 4. Note that two separate vendors manufacture these cables, which are electrically equivalent but have different color coding. If you cannot identify the P1 connector, remove either connector from the cable and continue with step 2.

The following tables show the color coding for the cable wiring.

VENDOR 1

COLOR	AWG	P1	P2
RED	28	10	2
ORANGE	28	14	6
YELLOW	28	2	10
GREEN	28	6	14
WHITE	24	13	13
BLACK	24	9	9
DRAIN WIRE		3	3
SHIELD		SHELL	SHELL

P1, P2 - Walta Electronics, M30-558-0051

VENDOR 2

COLOR	AWG	P1	P2
BLUE	28	10	2
YELLOW	28	14	6
ORANGE	28	2	10
GREEN	28	6	14
BLACK	24	13	13
WHITE	24	9	9
DRAIN WIRE		3	3
SHIELD		SHELL	SHELL

P1, P2 - Walta Electronics, M30-558-0051

- 2** If you are not sure which connector you need to cut off, use the following tables to perform a continuity check between the connector and the cable colors. If you cut off P1, skip to step 4. If you cut off P2, continue with step 3.

VENDOR 1, P1

COLOR	AWG	P1
RED	28	10
ORANGE	28	14
YELLOW	28	2
GREEN	28	6
WHITE	24	13
BLACK	24	9
DRAIN WIRE		3
SHIELD WIRE		SHELL

P1 - Walta Electronics, M30-558-0051

VENDOR 2, P1

COLOR	AWG	P1
BLUE	28	10
YELLOW	28	14
ORANGE	28	2
GREEN	28	6
BLACK	24	13
WHITE	24	9
DRAIN WIRE		3
SHIELD		SHELL

P1 - Walta Electronics, M30-558-0051

VENDOR 1, P2

COLOR	AWG	P2
RED	28	2
ORANGE	28	6
YELLOW	28	10
GREEN	28	14
WHITE	24	13
BLACK	24	9
DRAIN WIRE		3
SHIELD		SHELL

P2 - Walta Electronics, M30-558-0051

VENDOR 2, P2

COLOR	AWG	P2
BLUE	28	2
YELLOW	28	6
ORANGE	28	10
GREEN	28	14
BLACK	24	13
WHITE	24	9
DRAIN WIRE		3
SHIELD		SHELL

P2 - Walta Electronics, M30-558-0051

- 3** If you cut off P2, re-terminate the cable with a shielded RJ-45 connector using the following tables, then skip to step 5.

VENDOR 1, P1

COLOR	AWG	P1	P2
RED	28	10	5
ORANGE	28	14	6
YELLOW	28	2	1
GREEN	28	6	2
WHITE	24	13	7
BLACK	24	9	8
DRAIN WIRE		3	3
SHIELD		SHELL	SHELL

P1 - Walta Electronics, M30-558-0051
P2 - RJ-45 shielded plug, Tyco 5-569552 or equivalent

VENDOR 2, P1

COLOR	AWG	P1	P2
BLUE	28	10	5
YELLOW	28	14	6
ORANGE	28	2	1
GREEN	28	6	2
BLACK	24	13	7
WHITE	24	9	8
DRAIN WIRE		3	3
SHIELD		SHELL	SHELL

P1 - Walta Electronics, M30-558-0051
P2 - RJ-45 shielded plug, Tyco 5-569552 or equivalent

- 4** If you cut off P1, re-terminate the cable with an RJ-45 8-pin plug using the following tables, then continue with step 5.

VENDOR 1

COLOR	AWG	P1	P2
RED	28	1	2
ORANGE	28	2	6
YELLOW	28	5	10
GREEN	28	6	14
WHITE	24	7	13
BLACK	24	8	9
DRAIN WIRE		3	3
SHIELD		SHELL	SHELL

P1 - RJ-45 shielded plug, Tyco 5-569552 or equivalent
P2 - Walta Electronics, M30-558-0051

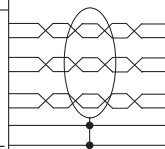
VENDOR 2

COLOR	AWG	P1	P2
BLUE	28	1	2
YELLOW	28	2	6
ORANGE	28	5	10
GREEN	28	6	14
BLACK	24	7	13
WHITE	24	8	9
DRAIN WIRE		3	3
SHIELD		SHELL	SHELL

P1 - RJ-45 shielded plug, Tyco 5-569552 or equivalent
P2 - Walta Electronics, M30-558-0051

- 5** Whether you re-terminated the P1 or P2 end of the cable, at this point the cable can be connected directly to the system and to the first microphone. If it is necessary to install an extension to the system's RJ-45 connection on a wall plate or panel, create a custom pinout cable using shielded CAT5 cable. The cable is terminated on one end to either a shielded CAT5

keystone jack or, if using a shielded panel coupler, a shielded RJ-45 plug connector. The other end terminates to a shielded RJ-45 plug that connects to the Polycom HDX system.

COLOR	AWG	P1		P2
WHITE/GREEN	24	1		1
GREEN	24	2		2
WHITE/ORANGE	24	5		5
ORANGE	24	6		6
WHITE/BROWN	24	7		7
BROWN	24	8		8
DRAIN WIRE	3	3		3
SHIELD		SHELL		SHELL

P1 - RJ-45 shielded Keystone jack, L-com RJ110C5-S or equivalent OR

P1 - RJ-45 shielded plug, Tyco 5-569552 or equivalent with shielded RJ-45 panel coupler kit (L-com ECF504-SC5E or equivalent)

P2 - RJ-45 shielded plug, Tyco 5-569552 or equivalent



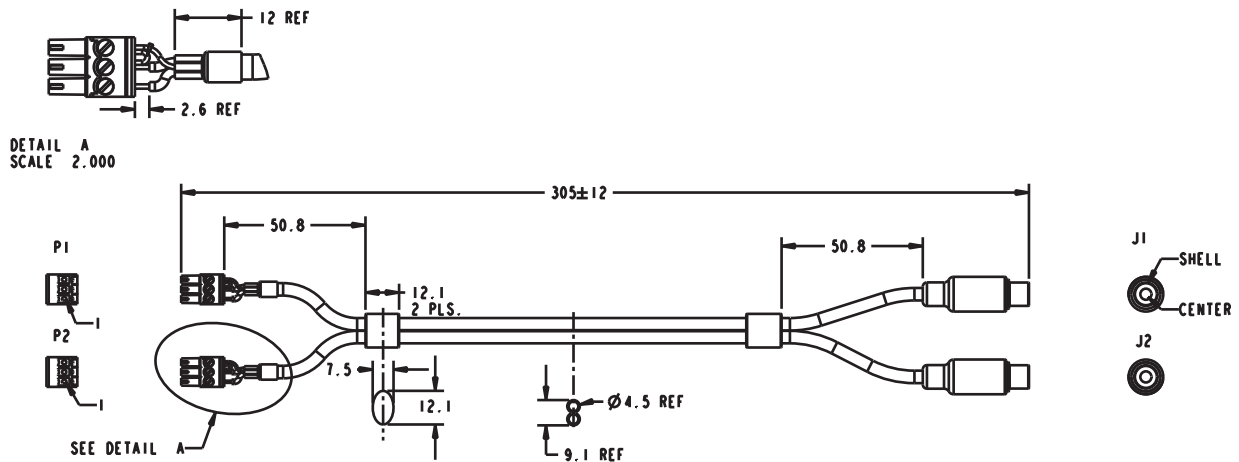
The Polycom RJ-45 connector pinout is custom. For best performance, follow the wiring tables shown in this document. If standard Ethernet cables are used, signal integrity cannot be guaranteed and degraded performance may occur, especially at longer lengths.

Audio Adapter Cable



This cable adapts the Polycom HDX system Phoenix audio connectors to standard RCA audio cables, such as the [Audio Cable](#) on page 2-55. It is dual male Phoenix to dual female RCA connectors (red/white).

Length	Part Number	RoHS Compliant
1 ft (0.3 m)	2457-23492-001	Yes



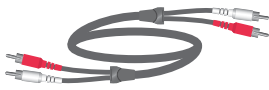
WIRING LIST				
PLUG	CONTACT	CONDUCTOR	CONTACT	JACK
P1	1	A+	CENTER	J1
	2	A-	SHELL	
	3	A DRAIN	—	
P2	1	B+	CENTER	J2
	2	B-	SHELL	
	3	B DRAIN	—	

INSTALL JUMPER BETWEEN CONTACT 2 AND CONTACT 3 OF BOTH P1 & P2 AS SHOWN IN DETAIL "A".



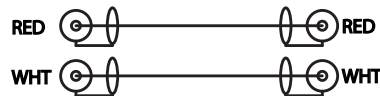
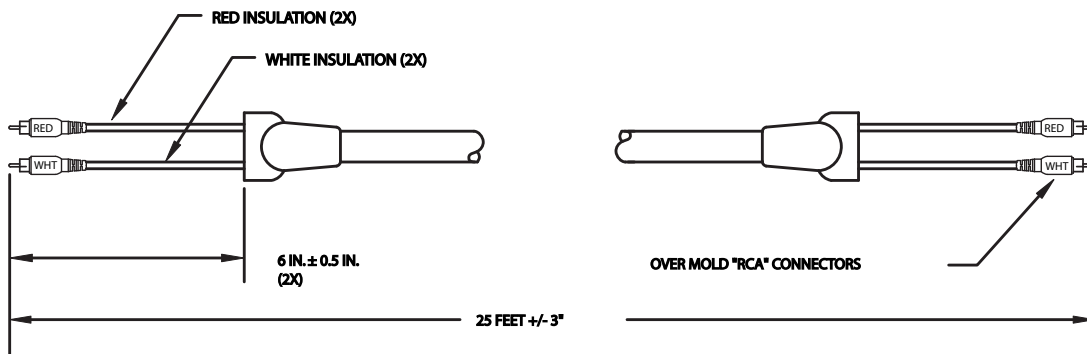
Drawings and part numbers are provided for reference only. Polycom claims no responsibility or liability for the quality, performance, or reliability of cables based on these reference drawings, other than cables provided by Polycom. Contact your Polycom distributor or Polycom Custom/Vertical Products to order cables that meet the appropriate manufacturing tolerances, quality, and performance parameters for your application.

Audio Cable



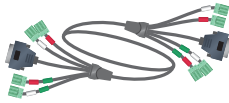
This cable connects a Polycom HDX system to an external audio system. It is used with the [Audio Adapter Cable](#) on page 2-54. It has dual RCA connectors (red/white) on both ends. The maximum approved length for this cable is 100 ft (30 m).

Length	Part Number	RoHS Compliant
25 ft (7.6 m)	2457-09212-002	Yes
9 ft 10 in (3 m)	2457-09212-010	Yes



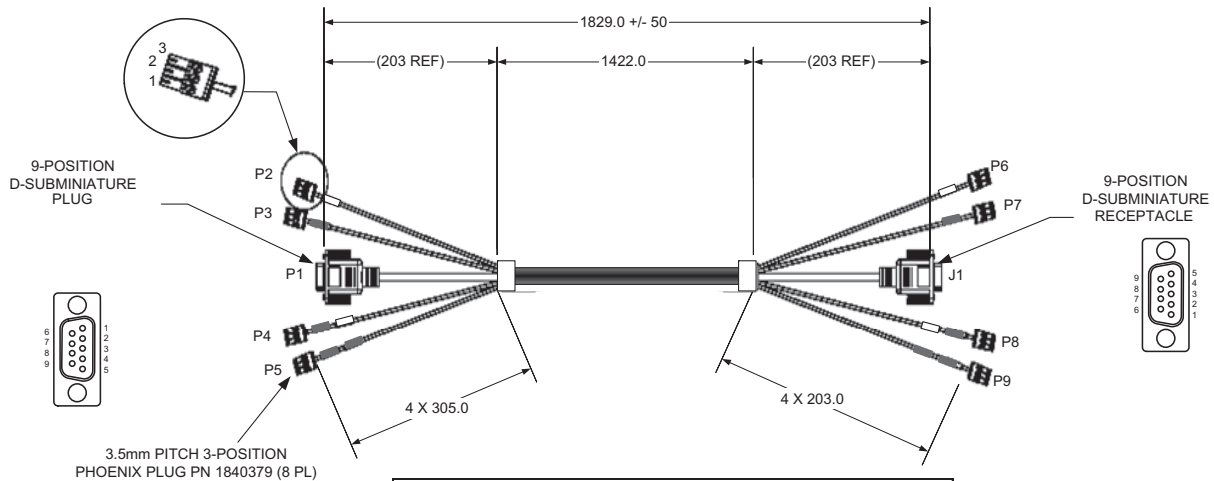
Drawings and part numbers are provided for reference only. Polycom claims no responsibility or liability for the quality, performance, or reliability of cables based on these reference drawings, other than cables provided by Polycom. Contact your Polycom distributor or Polycom Custom/Vertical Products to order cables that meet the appropriate manufacturing tolerances, quality, and performance parameters for your application.

Vortex Cable



This cable connects a Polycom HDX system to a Polycom Vortex mixer. It has four mini-Phoenix connectors and one DB-9 connector on each end.

Length	Part Number	RoHS Compliant
6 ft (1.8 m)	2457-21978-200	Yes



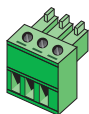
PIN #	Signal
1	Signal +
2	Signal - (return)
3	Shield/drain wire/ground

WIRING CHART			
FROM	TO	WIRE TYPE	WIRE USE
P1-2	J1-2	A	SIGNAL
P1-3	J1-3		SIGNAL
P1-5	J1-5		SIGNAL
P1-7	J1-7		SIGNAL
P1-8	J1-8		SIGNAL
P1-SHELL	J1-SHELL		SHIELD
PINS 1, 4, 6, 9 ARE N/C			N/A
P2-1	P6-1	B	SIGNAL
P2-2	P6-2		SIGNAL
P2-3	P6-3		SHIELD (DRAIN WIRE)
P3-1	P7-1	B	SIGNAL
P3-2	P7-2		SIGNAL
P3-3	P7-3		SHIELD (DRAIN WIRE)
P4-1	P8-1	B	SIGNAL
P4-2	P8-2		SIGNAL
P4-3	P8-3		SHIELD (DRAIN WIRE)
P5-1	P9-1	B	SIGNAL
P5-2	P9-2		SIGNAL
P5-3	P9-3		SHIELD (DRAIN WIRE)



Drawings and part numbers are provided for reference only. Polycom claims no responsibility or liability for the quality, performance, or reliability of cables based on these reference drawings, other than cables provided by Polycom. Contact your Polycom distributor or Polycom Custom/Vertical Products to order cables that meet the appropriate manufacturing tolerances, quality, and performance parameters for your application.

3.5mm Screw Cage Connector



This 3-pin connector connects audio input and output to the Polycom HDX system. It also connects the IR sensor input on a Polycom HDX system to an external IR receiver, such as Xantech models 780-80, 780-90, 480-00, and 490-90.

Length	Part Number	RoHS Compliant
—	1515-41597-001	Yes

Top View



Pinout for audio connector

PIN #	
1	Signal +
2	Signal - (return)
3	Shield/drain wire/ground

Pinout for IR connector

PIN #	
1	+12 V
2	Ground
3	IR signal



Drawings and part numbers are provided for reference only. Polycom claims no responsibility or liability for the quality, performance, or reliability of cables based on these reference drawings, other than cables provided by Polycom. Contact your Polycom distributor or Polycom Custom/Vertical Products to order cables that meet the appropriate manufacturing tolerances, quality, and performance parameters for your application.

The following table shows how to wire this connector for 2-wire connections, Phoenix to RCA.

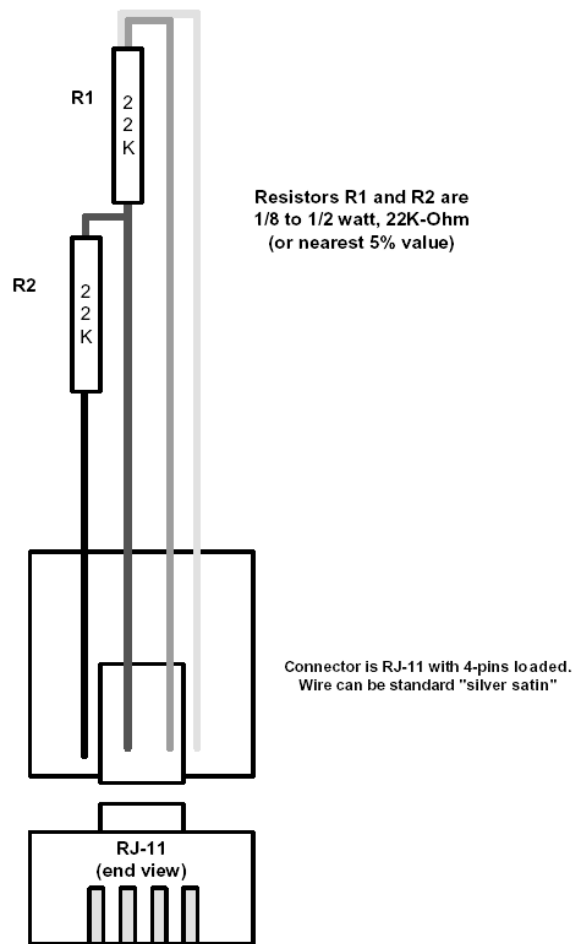
Phoenix Contact	RCA Contact
1	Center
2	Shell
3	—
Install jumper between contact 2 and contact 3 on the Phoenix connector.	

Subwoofer Volume Attenuator



This attenuator plugs into the Volume Control RJ-11 port on the subwoofer that comes with the Polycom stereo speaker kit. The attenuator is required for proper operation of the acoustic echo cancellation. It has an RJ-11 connector.

Length	Part Number	RoHS Compliant
3.5 in (9 cm)	1457-52415-001	—



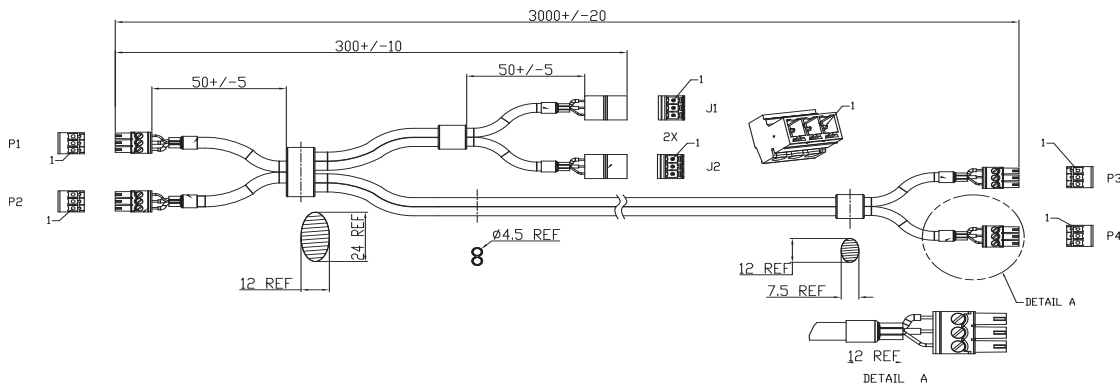
Drawings and part numbers are provided for reference only. Polycom claims no responsibility or liability for the quality, performance, or reliability of cables based on these reference drawings, other than cables provided by Polycom. Contact your Polycom distributor or Polycom Custom/Vertical Products to order cables that meet the appropriate manufacturing tolerances, quality, and performance parameters for your application.

Polycom EagleEye Director Audio Feedback Phoenix to Phoenix Cable



This cable connects a Polycom HDX 9000 series system or Polycom SoundStructure C-Series Mixer to the Polycom EagleEye Director camera and the room audio playback system. It is dual male Phoenix connectors (for HDX systems or SoundStructure C-Series Mixer) to dual male Phoenix connectors (for the EagleEye Director camera) with dual female Phoenix connectors (for the room audio playback system).

Length	Part Number	RoHS Compliant
9.10 ft (3 m)	2457-82586-001	Yes



WIRING LIST						
PLUG	CONTACT	CONDUCTOR	JACK	CONTACT	PLUG	CONTACT
P1	1	A+	J1	1	P3	1
	2	A-		2		2
	3	A DRAIN		3		3
P2	1	B+	J2	1	P4	1
	2	B-		2		2
	3	B DRAIN		3		3



Drawings and part numbers are provided for reference only. Polycom claims no responsibility or liability for the quality, performance, or reliability of cables based on these reference drawings, other than cables provided by Polycom. Contact your Polycom distributor or Polycom Custom/Vertical Products to order cables that meet the appropriate manufacturing tolerances, quality, and performance parameters for your application.

Serial Cables

Straight-Through Serial Cable



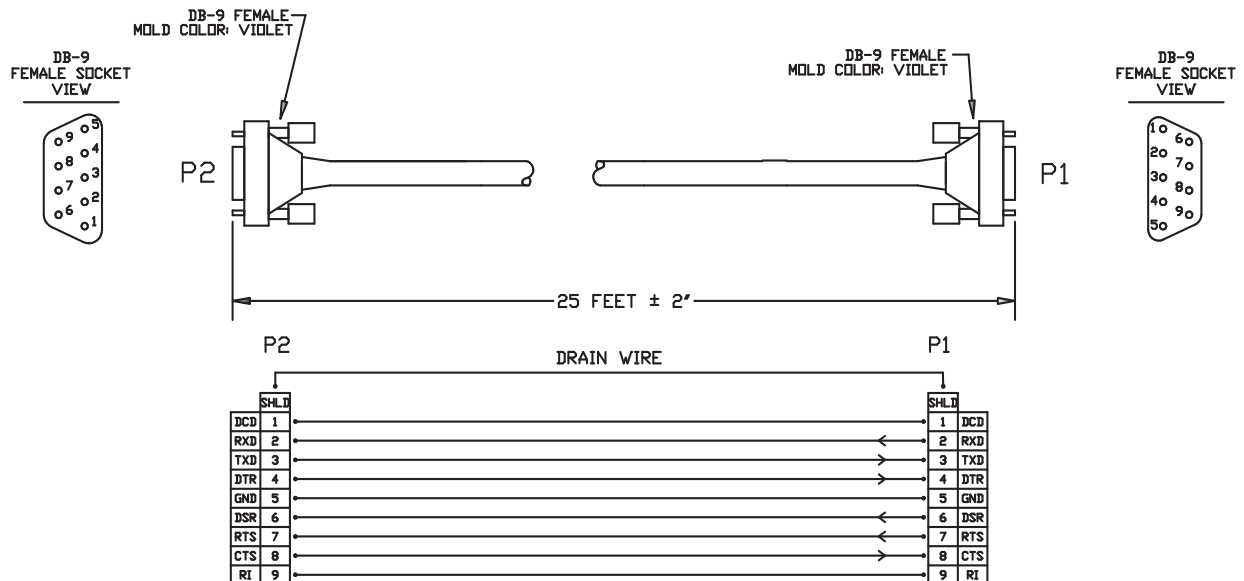
This cable connects a Polycom HDX system to a serial device. It has a DB-9 connector on each end. The maximum approved length for this cable is 100 ft (30 m).



Polycom does not recommend using this straight-through serial cable for RS-232 communication from a computer, Crestron system, or AMX device. Instead, for RS-232 communication, Polycom recommends using a cross-over cable with pin 2 wired to pin 3, pin 3 wired to pin 2, and pin 5 wired to pin 5. The other pins are not used.

If you choose to use this straight-through serial cable for RS-232 communication from a computer or Crestron system, the [Null Modem Adapter](#) on page 2-62 is required. However, the null modem adapter does not work for RS-232 communication from AMX devices and causes problems if you try to use it.

Length	Part Number	RoHS Compliant
25 ft (7.6 m)	2457-09172-001	—





Drawings and part numbers are provided for reference only. Polycom claims no responsibility or liability for the quality, performance, or reliability of cables based on these reference drawings, other than cables provided by Polycom. Contact your Polycom distributor or Polycom Custom/Vertical Products to order cables that meet the appropriate manufacturing tolerances, quality, and performance parameters for your application.

The DB-9 male connector on the Polycom HDX system has the following connections.

Pin	Signal
1	Not used
2	Rx
3	Tx
4	DTR (tied to pin 6, DSR)
5	GND
6	DSR (tied to pin 4, DTR)
7	RTS
8	CTS
9	Not used

Most devices that connect to the serial port to control the Polycom HDX system through the API only require pins 2, 3, and 5. For more information and to verify the proper cabling, refer to the documentation for your control system.

Null Modem Adapter



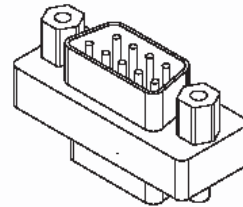
This adapter is used when connecting a Polycom HDX system to a serial device that transmits on pin 3 such as Crestron Pro2 processor. It is a male to female DB-9 adapter plug. This connection may require the [Straight-Through Serial Cable](#) on page 2-60.



Do not use this adapter with an AMX device. AMX systems support both RS-232 and RS-422. Therefore, for RS-232 support, use a null modem cross-over cable that carries only pins 2, 3, and 5, with pins 2 and 3 crossed.

Length	Part Number	RoHS Compliant
—	1517-61577-001	Yes

DB9F	DB9M
PIN 1&6	PIN 4
PIN 2	PIN 3
PIN 3	PIN 2
PIN 4	PIN 1&6
PIN 5	PIN 5
PIN 7	PIN 8
PIN 8	PIN 7
PIN 9	N/C



Drawings and part numbers are provided for reference only. Polycom claims no responsibility or liability for the quality, performance, or reliability of cables based on these reference drawings, other than cables provided by Polycom. Contact your Polycom distributor or Polycom Custom/Vertical Products to order cables that meet the appropriate manufacturing tolerances, quality, and performance parameters for your application.

Using the API

The Application Programming Interface (API) is a set of commands for advanced users who want to automate a Polycom HDX system. You can use the API by connecting a control system or computer RS-232 serial port to a Polycom HDX 9000, Polycom HDX 8000, or Polycom HDX 7000 series system. You can also use Telnet over the LAN to use the API with Polycom HDX 9000, Polycom HDX 8000, Polycom HDX 7000, and Polycom HDX 6000 series systems.

Using the API with an RS-232 Interface

If you use an RS-232 interface to send API commands, you must connect and configure the control system or computer and the Polycom HDX system for serial communication.

Configuring the RS-232 Interface

If you use the API with a serial connection, make sure that the RS-232 interfaces of the Polycom HDX system and your computer are configured appropriately.

To access the RS-232 settings on your system, do one of the following:

- In the local interface, go to **System > Admin Settings > General Settings > Serial Port**.
- In the web interface, go to **Admin Settings > General Settings > Serial Port**.

Configure the Baud Rate and RS-232 Mode options as follows:

Option	Configure this way on your computer	Configure this way on the Polycom HDX system
Baud Rate	Must be the same rate for both devices. Available rates are: <ul style="list-style-type: none"> • 9600 • 14400 • 19200 • 38400 • 57600 • 115200 	
RS-232 Mode	—	Control

The RS-232 port on the Polycom HDX system supports the following modes:

- Camera PTZ
- Closed Caption
- Control
- Pass-Thru
- Vortex Mixer

In Control Mode, a device (for example, a computer) connected to the RS-232 port can control the system using the API.

In Pass-Thru Mode, the operational modes of both devices' RS-232 ports depend on the port configuration of each device.

Starting an API Session using an RS-232 Interface

Polycom HDX 9000, Polycom HDX 8000, and Polycom HDX 7000 series systems can run API sessions from the RS-232 interface.

After you have verified that the Polycom HDX system and your computer or control system are both configured appropriately, set up both devices as follows:

- 1 Power off the computer or control system and the Polycom HDX system.
- 2 Use an RS-232 cable to connect the computer or control system RS-232 port to an RS-232 port on the Polycom HDX system as shown in the following illustrations. This connection may require the [Null Modem Adapter](#) on page 2-62.

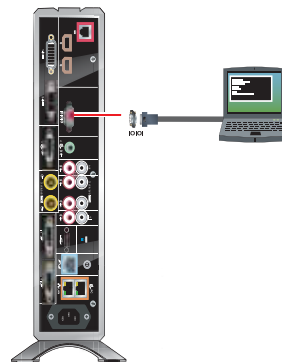
To connect a computer to a Polycom HDX 9006 system:



To connect a computer to a Polycom HDX 9001, Polycom HDX 9002 or Polycom HDX 9004 system:



To connect a computer to a Polycom HDX 8000 or HDX 7000 series system:



- 3 Power on the computer or control system and the Polycom HDX system.
- 4 From the computer or control system, start a serial session using HyperTerminal or another appropriate utility.

Using the API with the Maximum Security Profile Enabled

You must log in with a password to start an RS-232 session if the system is configured with the Security Profile set to Maximum.

You can log in with either the Admin ID and Admin Remote Password or the User ID and User Remote Password of the Polycom HDX system. The availability of individual API commands depends on whether you log in using a User or Admin ID. For a complete list of API commands and parameters available to the user and admin IDs, refer to [Secure RS-232 Interface API Permissions](#) on page D-1 .

For more information about the Security Profile, refer to the *Security Deployment Guide for Polycom HDX Systems*.

Using the API with a LAN Connection

If you have a computer connected to the LAN, you can send API commands to the Polycom HDX system through Telnet port 24.

- 1 On the computer, open a command line interface.
- 2 Start a Telnet session using the Polycom HDX system IP address and port number — for example, tel net 10. 11. 12. 13 24.

You cannot use Telnet to access the system if Security Mode is enabled.

Using the API Controller Code

In cooperation with the leading touch panel controller manufacturers, Polycom Video Division is proud to offer its own version of controller code designed to run on Crestron and AMX systems. This independent code base was developed specifically to address issues of code compatibility with video system software releases. It provides a fully executable controller program but also serves as a guideline for ongoing development using Polycom preferred methodology and commands.

To download the API controller code, refer to www.polycom.com/forms/amx_code.html. Additionally, AMX controller code or Crestron controller code is available for controlling the Polycom EagleEye HD camera. Companion documents are also available to further explain how to interface your controller with Polycom video systems and use the API efficiently.

Additional API Resources

The following online resources are available for your reference as you use the API.

Technical Support Contact Information

To contact Polycom Technical Support, go to www.polycom.com/support. This web site provides you with contact information for Polycom technical support. Use this web site when you need help using the API.

Feature Enhancement Request Web Site

Go to www.polycom.com/support, and navigate to **Feature Request**. This web site allows you to submit suggestions for feature enhancements. Use this web site when you have requests for future development of the Polycom API.

Video Test Numbers

Refer to www.polycom.com/videotest. This web site provides you with test numbers of various Polycom systems worldwide. Use this web site when you need to access video test numbers to use when testing your Polycom system.

Knowledge Base

Refer to the Knowledge Base at www.polycom.com/support. This tool allows you to search for user guides, release notes, and other forms of product documentation. You can also search for troubleshooting information and technical briefs. Use this web site when you need to access Polycom product documentation or tips.

System Commands

This chapter describes the API commands for software version 3.0.3.

For an alphabetical list of all the commands, refer to the table of contents for this document. For a list of commands by category, refer to the [Categorical List of API Commands](#) command on page [E-1](#).

About the API Commands

Syntax Conventions

The following conventions are used for the API command descriptions in this chapter. All of the commands are case sensitive.

Convention	Meaning
<param1 param2 param3>	Multiple valid parameters are enclosed in angle brackets and separated by the pipe (“ ”) character. Example: al l ow di a l i ng <yes no get> shows that the al l ow di a l i ng command must be followed by one of the parameters listed.
[param] [“param”]	Optional parameters are enclosed in square brackets. Quotation marks indicate strings to be supplied by the user. Example: telearea code set [“telephone_area_code”] shows that you can supply a value for the area code, or omit it and let the default value apply. You do not need to enclose the actual value in quotes unless it contains a space.
{a..z}	A range of possible alphanumeric values is enclosed in braces. Example: abk l e t t e r {a..z} shows that the abk command can be used to return address book entries that begin with an alphanumeric character in the range specified. Example: camera n e a r {1..4} shows that the camera command can be used to select camera 1, 2, 3, or 4 at the near site.
“x”	Quotation marks indicate strings to be supplied by the user. You do not need to enclose the value in quotes unless it contains a space.

Although the API command parser may accept the minimum number of characters in a command that makes it unique, you should always use the full command string.

Availability of Commands

The availability of API commands depends on the type of system, optional equipment installed or connected, security settings and the software version installed on the system. If a particular command is not supported on the system, the command returns feedback such as “error: this command is not supported on this model” or “command is not available in current system configuration”. If a setting is configured by a provisioning service, the command may return feedback such as “this setting is

controlled by a provisioning service and cannot be changed". For more information about provisioned settings, refer to your provisioning service administrator.

Deprecated commands are included for backward compatibility only and are not recommended for use with this version. Suitable replacements are noted for each deprecated command.

Commands that are not listed in this chapter are not supported by Polycom. Commands might change or be removed at any time. Polycom discourages integrators from using unpublished commands.



API support is not available for:

- Telnet ports 23 and 24 when Security Mode is enabled.
- Software versions for the Joint Interoperability Test Command (JITC) certification.

Command Response Syntax

When you send a command, the system returns responses using the following syntax, where <CR> indicates a carriage return and <LF> indicates a line feed.



The end of line (EOL) character for the echo is different for serial and LAN responses. The feedback examples below and elsewhere in the Integrator's Reference Manual are based on the serial response.

When Not Registered to Receive Notifications

When your system is not registered to receive any notifications and you send an API command, an API echo and API acknowledgement are returned.

For example:

- camera near 2 <CR>API command
returns
camera near 2<LF><CR>API echo
camera near 2<CR><LF>API acknowledgement

When your system is not registered for notifications, always use the API acknowledgement (<CR><LF>), which indicates that the command was sent, accepted, and processed. Never use the API echo (<LF><CR>), which only indicates that you sent an API command but does not indicate whether the API command you sent was actually processed. For example, you receive an API echo even if you send an invalid API command. In this case, the API echo responds by echoing the invalid API command that you attempted to send.

When Registered to Receive Notifications

Registering for notifications adds extra line responses in the form of API registration responses. When your system is already registered to receive notifications and you send an API command that affects a notification, an API echo, API acknowledgement, and API registration response are returned. You may receive multiple API registration responses if you are registered for multiple notifications that are affected by the API command you are currently sending.

For example, after your system has already been registered to receive camera notifications (the notify vidsourcechanges API command enables these notifications), the following responses are returned when you change the camera source using the camera near 1 API command:

- camera near 1 <CR>API command
returns
camera near 1<LF><CR>API echo
camera near 1<CR><LF>API acknowledgement
notification:vidsourcechange:near:1:Main:people<CR><LF>
API registration response

When your system is registered for notifications, always use the API registration response (<CR><LF>), which indicates that the command was sent, accepted, and processed. Never use the API echo (<LF><CR>), which only indicates that you sent an API command but does not indicate whether the API command you sent was actually processed. For example, you receive an API echo even if you send an invalid API command. In this case, the API echo responds by echoing the invalid API command that you attempted to send.

End Of Line (EOL) Characters When Connected to the API Using a LAN Connection

In software versions prior to 2.5.0.6, the EOL characters for the echo responses on a system connected to the LAN and using a Telnet session were as follows:

```
camera near 2 <CR> API command
returns
camera near 2<CR><CR><LF> API echo
camera near 2<CR><LF> API acknowledgement
```

Starting with software version 2.5.0.6, the response changed to a single <CR>; for example:

```
camera near 2 <CR> API command
returns
camera near 2<CR><LF> API echo
camera near 2<CR><LF> API acknowledgement
```


The `tel netechoeol` command allows you to change the EOL characters of the API echo to the EOL characters of the serial port echo. See [telnetechoeol](#) on page 4-329 for more details.

Commands that Restart the System

Commands that Restart the System with a Prompt

- `reboot`

Commands that Restart the System without a Prompt

- `reboot yes`
- `reboot now`

Additional Tips

- The Polycom HDX system does not provide flow control. If the connection is lost through restarting the system or other means, you must re-establish the connection.
- The API processes one command at a time.
- Polycom does not recommend sending multiple commands simultaneously without a pause or delay between them.
- For commands with a single action and a single response: A delay of 200 milliseconds between commands is usually sufficient. Examples of these commands include the commands for switching cameras (`camera near 1`), sending content (`vcbutton play`), and checking the status of the audio mute (`mute near get`).
- For commands with a single action and a more extensive response: The time required to receive the response, and thus the time between commands, may be longer than 200 milliseconds. The response length, which can vary in size, determines the time required to receive the response. Examples of these commands include the commands for retrieving the local address book (`addrbook all`), the global address book (`gaddrbook all`), the list of system settings (`displayparams`), and system session information (`whoami`).
- When developing your program, always allow enough time for the response to the requested command to complete before sending another command.
- Do not send any commands while an incoming or outgoing call is being established.
- The API provides feedback status in two ways: registrations or polling.

- It is only required that you send registration and notification API commands once, because the registrations become written into Flash memory and are retained even upon restarting the system.
- Polycom recommends putting registrations in the initialization or startup of Crestron and AMX systems.
- Registrations are recommended over polling since they will provide status updates without having to query for changes.
- Never poll for registrations.
- Registrations are specific to the port from which they are registered. If you register for notifications from com port 1, registration will not be sent to com port 2 or Telnet port 24.

!

Executes a previously used command from the history list, starting with a specific number or letter.

Syntax

```
!"string"
!{1..64}
```

Parameter	Description
"string"	Specifies the most recent command from the history list that begins with this string.
{1..64}	Specifies the Nth command in the history list, where N is 1 through 64.

Feedback Examples

Assume the following command history.

- gatewaynumber set 123456789
returns
gatewaynumber 123456789
- hangup vi deo
returns
hang ing up vi deo cal l
- hi story
returns
1 gatewaynumber set 123456789
2 hangup vi deo
- h323name get
returns
h323name testi p

In this case, each of the following !<letter or number> commands executes the command and prints its output from the history list, as follows.

- !1
returns
gatewaynumber set 123456789
gatewaynumber 123456789
- !2
returns
hangup vi deo
hang ing up vi deo cal l

- !h
returns
h323name get
h323name testip
- history
returns
1 gatewaynumber set 123456789
2 hangup video
3 h323name get
4 gatewaynumber set 123456789
5 hangup video
6 h323name get

See Also

For information about the history list, refer to [history](#) on page 4-177.

abk (deprecated)

Returns local directory (address book) entries. This command has been deprecated. Polycom recommends using the [addrbook](#) command on page 4-12.

Syntax

```
abk all
abk batch {0..59}
abk batch search "pattern" "count"
abk batch define "start_no" "stop_no"
abk letter {a..z}
abk range "start_no" "stop_no"
abk refresh
```

Parameter	Description
all	Returns all the entries in the local directory.
batch	Returns a batch of 10 local directory entries. Requires a batch number, which must be an integer in the range {0..59}.
search	Specifies a batch search.
"pattern"	Specifies a pattern to match for the batch search.
"count"	Specifies the number of entries to list that match the pattern.
define	Returns a batch of entries in the range defined by "start_no" to "stop_no."
"start_no"	Specifies the beginning of the range of entries to return.
"stop_no"	Specifies the end of the range of entries to return.
letter	Returns entries beginning with the letter specified from the range {a..z}. Requires one or two alphanumeric characters. Valid characters are: - _ / ; @ , . \ 0 through 9 a through z
range	Returns local directory entries numbered "start_no" through "stop_no". Requires two integers.
refresh	Gets a more current copy of the local directory.

Feedback Examples

- `abk all`
returns
`abk 0. Polycom HDX Demo 1 spd: 384 num: 1. 700. 5551212`
`abk 1. Polycom HDX Demo 2 spd: 384 num: 192. 168. 1. 101`
`abk 2. Polycom HDX Demo 3 spd: 384 num: 192. 168. 1. 102`
`abk 3. Polycom HDX Demo 3 spd: 384 num: 1. 700. 5551213`
(and so on, until all entries in the local directory are listed, then:)
`abk all done`
- `abk batch 0`
returns
`abk 0. Polycom HDX Demo 1 spd: 384 num: 1. 700. 5551212`
`abk 1. Polycom HDX Demo 2 spd: 384 num: 192. 168. 1. 101`
`abk 2. Polycom HDX Demo 3 spd: 384 num: 192. 168. 1. 102`
(and so on, through the last entry in the batch of 10 directory entries, such as:)
`abk 9. Polycom HDX Demo 20 spd: 384 num: 192. 168. 1. 120`
`abk batch 0 done`
- `abk batch define 0 2`
returns
`abk 0. Polycom HDX Demo 1 spd: 384 num: 1. 700. 5551212`
`abk 1. Polycom HDX Demo 2 spd: 384 num: 192. 168. 1. 101`
`abk 2. Polycom HDX Demo 3 spd: 384 num: 192. 168. 1. 102`
`abk batch define 0 2 done`
- `abk batch search Polycom 3`
returns
`abk 0. Polycom HDX Demo 1 spd: 384 num: 1. 700. 5551212`
`abk 1. Polycom HDX Demo 2 spd: 384 num: 192. 168. 1. 101`
`abk 2. Polycom HDX Demo 3 spd: 384 num: 192. 168. 1. 102`
`abk batch search Polycom 3 done`
- `abk letter p`
returns
`abk 0. Polycom HDX Demo 1 spd: 384 num: 1. 700. 5551212`
`abk 1. Polycom HDX Demo 2 spd: 384 num: 192. 168. 1. 101`
`abk 2. Polycom HDX Demo 3 spd: 384 num: 192. 168. 1. 102`
`abk 3. Polycom HDX Demo 3 spd: 384 num: 1. 700. 5551213`
`abk 9. Polycom HDX Demo 20 spd: 384 num: 192. 168. 1. 120`
`abk letter p done`
- `abk range 0 2`
returns
`abk 0. Polycom HDX Demo 1 spd: 384 num: 1. 700. 5551212`
`abk 1. Polycom HDX Demo 2 spd: 384 num: 192. 168. 1. 101`
`abk 2. Polycom HDX Demo 3 spd: 384 num: 192. 168. 1. 102`
`abk range 0 2 done`

Comments

Beginning in software version 2.5, entries with multiple addresses (for example, an H.323 address and an ISDN number) return each address type on separate lines with an incremented record number. With previous software versions, entries with multiple addresses return each address type with the same record number.

abk entries are entries stored on the system. gabk entries are entries stored on the GDS. In the user interface, the address book and global address book features are referred to as the *directory* and the *global directory*.

See Also

To return global directory entries, use the [gabk \(deprecated\)](#) command on page [4-136](#).

addrbook

Returns local directory (address book) entries.

Syntax

```
addrbook all
addrbook batch {0..59}
addrbook batch search "pattern" "count"
addrbook batch define "start_no" "stop_no"
addrbook letter {a..z}
addrbook range "start_no" "stop_no"
addrbook refresh
```

Parameter	Description
all	Returns all the entries in the local directory.
batch	Returns a batch of 10 local directory entries. Requires a batch number, which must be an integer in the range {0..59}.
search	Specifies a batch search.
"pattern"	Specifies a pattern to match for the batch search.
"count"	Specifies the number of entries to list that match the pattern.
define	Returns a batch of entries in the range defined by "start_no" to "stop_no."
letter	Returns entries beginning with the letter specified from the range {a..z}. Requires one or two alphanumeric characters. Valid characters are: - _ / ; @ , . \ 0 through 9 a through z
range	Returns local directory entries numbered "start_no" through "stop_no". Requires two integers.
"start_no"	Specifies the beginning of the range of entries to return.
"stop_no"	Specifies the end of the range of entries to return.
refresh	Gets a more current copy of the local directory.

Feedback Examples

- addrbook all
returns
addrbook 0. "Polycom HDX Demo 1" i sdn_spd: 384


```

i sdn_num: 1. 700. 5551212 i sdn_ext:
addrbook 1. "Polycom HDX Demo 2" h323_spd: 384
h323_num: 192. 168. 1. 101 h323_ext: 7878
addrbook 2. "Polycom HDX Demo 3" si p_spd: 384
si p_num: pol ycomhdx@pol ycom. com
addrbook 3. "Polycom HDX Demo 3" phone_num: 1. 512. 5121212
(and so on, until all entries in the local directory are
listed, then:)
addrbook all done

```

- `addrbook batch 0`
returns

```

addrbook 0. "Polycom HDX Demo 1" i sdn_spd: 384
i sdn_num: 1. 700. 5551212 i sdn_ext:
addrbook 1. "Polycom HDX Demo 2" h323_spd: 384
h323_num: 192. 168. 1. 101 h323_ext: 7878
addrbook 2. "Polycom HDX Demo 3" si p_spd: 384
si p_num: pol ycomhdx@pol ycom. com
addrbook 3. "Polycom HDX Demo 3" phone_num: 1. 512. 5121212
(and so on, through the last entry in the batch of 10
di rectory entries, such as:)
addrbook 9. "Polycom HDX Demo 20" h323_spd: 384
h323_num: 192. 168. 1. 120 h323_ext:
addrbook batch 0 done

```
- `addrbook batch defi ne 0 2`
returns

```

addrbook 0. "Polycom HDX Demo 1" i sdn_spd: 384
i sdn_num: 1. 700. 5551212 i sdn_ext:
addrbook 1. "Polycom HDX Demo 2" h323_spd: 384
h323_num: 192. 168. 1. 101 h323_ext: 7878
addrbook 2. "Polycom HDX Demo 3" si p_spd: 384
si p_num: pol ycomhdx@pol ycom. com
addrbook batch defi ne 0 2 done

```

Comments

Beginning in software version 2.5, entries with multiple addresses (for example, an H.323 address and an ISDN number) return each address type on separate lines with an incremented record number. With previous software versions, entries with multiple addresses return each address type with the same record number. `addrbook` entries are stored in the local directory (address book).

addressdisplayedngab

Specifies whether to display the system address in the global directory.

Syntax

```
addressdisplayedngab get
addressdisplayedngab private
addressdisplayedngab public
```

Parameter	Description
get	Returns the current setting.
private	Specifies not to display the system address in the global directory.
public	Displays the system address in the global directory.

Feedback Examples

- addressdisplayedngab private
returns
addressdisplayedngab private
- addressdisplayedngab public
returns
addressdisplayedngab public
- addressdisplayedngab get
returns
addressdisplayedngab public

advnetstats

Gets advanced network statistics for a call connection.

Syntax

advnetstats [{0..n}]

Parameter	Description
{0..n}	Specifies a connection in a multipoint call, where n is the maximum number of connections supported by the system. 0 is call #1, 1 is call #2, 2 is call #3, and so on. Select a number from this range to specify a remote site call for which you want to obtain advanced network statistics. Omit this parameter when retrieving statistics for a point-to-point call.

Feedback Examples

- `advnetstats 1`
returns
call: 1 tar: 24k rar: 24k tvr: 64.3k rvr: 104k
tvru: 63.8k rvru: 114.6k tvfr: 15.0 rvfr: 15.0 vfe ---
tapl: 66 rapl: 0 taj: 46mS raj: 40mS tvpl: 122 rvpl: 0
tvj: 21mS rvj: 60mS dc: --- rsi d: Polycom_4.2 ccaps: E9P
- Returned parameters are:
tar=Transmit audio rate
rar=Receive audio rate
tvr=Transmit video rate
rvr=Receive video rate
tvru=Transmit video rate used
rvru=Receive video rate used
tvfr=Transmit video frame rate
rvfr=Receive video frame rate
vfe=Video FEC errors
tapl=Transmit audio packet loss (H.323 calls only)
tlscp=Transmit LSD protocol (H.320 calls only)
rapl=Receive audio packet loss (H.323 calls only)
rlscp=Receive LSD protocol (H.320 calls only)
taj=Transmit audio jitter (H.323 calls only)
tlcdr=Transmit LSD rate (H.320 calls only)
raj=Receive audio jitter (H.323 calls only)
rlcdr=Receive LSD rate (H.320 calls only)
tvpl=Transmit video packet loss (H.323 calls only)
tmlpp=Transmit MLP protocol (H.320 calls only)
rvpl=Receive video packet loss (H.323 calls only)

rmlpp=Receive MLP protocol (H.320 calls only)
tvj=Transmit video jitter (H.323 calls only)
tmlpr=Transmit MLP rate (H.320 calls only)
rvj=Receive video jitter (H.323 calls only)
rmlpr=Receive MLP rate (H.320 calls only)
dc=Encryption information
rsid=Remote system id
ccaps=Content capability, where possible responses include
"9" (H.239), "E" (enterprise dual streams), "N" (none), and
"P" (content over the people stream)

See Also

To return network statistics for a call, use the [netstats](#) command on page [4-249](#).

alertusertone

Sets or gets the tone used for user alerts.

Syntax

```
al ertusertone <get|1|2|3|4>
```

Parameter	Description
get	Returns the current setting.
1 2 3 4	Sets the user alert to the corresponding tone.

Feedback Examples

- al ertusertone 1
returns
al ertusertone 1
- al ertusertone get
returns
al ertusertone 1

alertvideotone

Sets the tone used for incoming video calls.

Syntax

al ertvi deotone <get|1|2|3|4|5|6|7|8|9|10>

Parameter	Description
get	Returns the current setting.
1 2 3 4 5 6 7 8 9 10	Sets the incoming video alert to the corresponding tone.

Feedback Examples

- al ertvi deotone 1
returns
al ertvi deotone 1
- al ertvi deotone get
returns
al ertvi deotone 1

all register

Registers for most commonly-used user registration events.

Syntax

```
all register
```

Feedback Examples

- all register
returns
callstate registered
camera registered
chaircontrol registered
linestate registered
mute registered
pip registered
popinfo registered
preset registered
screen registered
vbutton registered
volume registered
sleep registered

Comments

Registers changes to any of the following types of parameters:

- Current near-site or far-site source
- State of privacy
- Current volume level
- Active camera presets
- Status of point-to-point or multipoint calls
- Status of physical ISDN/IP connection to codec
- PIP state
- Chair control
- System information

This command is particularly useful when two different control systems are being used simultaneously, such as the web and API commands. The system maintains the registration changes through restarts.

To register for events not included in this feedback, refer to the specific registration command.

This is a one time registration command that is retained in flash memory. Sending the command a second time results in the following feedback response:

- info: event/notification already active: callstate
info: event/notification already active: camera
info: event/notification already active: chaircontrol
info: event/notification already active: chaircontrol
info: event/notification already active: linestate
info: event/notification already active: mute
info: event/notification already active: pip
info: event/notification already active: popupinfo
info: event/notification already active: preset
info: event/notification already active: screen
info: event/notification already active: vcbutton
info: event/notification already active: volume
info: event/notification already active: sleep

The all register command does not return local camera movements if the camera is moved using the remote control, the web interface, or the Polycom Touch Control virtual remote.

Polycom recommends you use this command in place of the [registerall \(deprecated\)](#) command on page 4-284.

all unregister

Simultaneously unregisters all registered user feedback so that the API no longer reports changes to the parameters.

Syntax

```
all unregister
```

Feedback Examples

- all unregister
returns
callstate unregistered
camera unregistered
chaircontrol unregistered
linestate unregistered
chaircontrol unregistered
mute unregistered
pip unregistered
popuserinfo unregistered
preset unregistered
screen unregistered
vbutton unregistered
volume unregistered
sleep unregistered

Comments

The following types of parameters are unregistered:

- Current near-site or far-site source
- State of privacy
- Current volume level
- Active camera presets
- Status of point-to-point or multipoint calls
- Status of physical ISDN/IP connection to codec
- PIP state
- Chair control
- System information

Polycom recommends you use this command in place of the [unregisterall \(deprecated\)](#) command on page 4-333.

allowabkchanges

Sets or gets the Allow Directory Changes setting.

Syntax

```
allowabkchanges <get|yes|no>
```

Parameter	Description
get	Returns the current setting.
yes	Enables the Allow Directory Changes setting.
no	Disables the Allow Directory Changes setting.

Feedback Examples

- allowabkchanges no
returns
allowabkchanges no
- allowabkchanges yes
returns
allowabkchanges yes
- allowabkchanges get
returns
allowabkchanges yes

Comments

If this option is enabled, the user has access to the **New**, **Edit**, and **Delete** operations in the directory.

allowcamerapresetssetup

Sets or gets whether users are allowed to change camera presets.

Syntax

```
allowcamerapresetssetup <get|yes|no>
```

Parameter	Description
get	Returns the current setting.
yes	Allows users to change camera presets.
no	Prevents users from changing camera presets.

Feedback Examples

- allowcamerapresetssetup no
returns
allowcamerapresetssetup no
- allowcamerapresetssetup yes
returns
allowcamerapresetssetup yes
- allowcamerapresetssetup get
returns
allowcamerapresetssetup yes

allowdialing

Sets or gets the ability to dial out from the system.

Syntax

allowdialing <get|yes|no>

Parameter	Description
get	Returns the current setting.
yes	Allows users to place calls.
no	Disables dialing so that the system can only receive calls.

Feedback Examples

- allowdialing no
returns
allowdialing no
- allowdialing yes
returns
allowdialing yes
- allowdialing get
returns
allowdialing yes

Comments

allowdialing no removes the dialing field and marquee text from the Home screen.

allowmixedcalls

Sets or gets the ability to place and receive mixed protocol multipoint calls (IP and ISDN). It allows the administrator to disable this ability for security reasons.

Syntax

```
allowmixedcalls <get|yes|no>
```

Parameter	Description
get	Returns the current setting.
yes	Enables mixed IP and ISDN calls.
no	Disables mixed IP and ISDN calls.

Feedback Examples

- allowmixedcalls no
returns
allowmixedcalls no
- allowmixedcalls yes
returns
allowmixedcalls yes
- allowmixedcalls get
returns
allowmixedcalls yes

allowusersetup

Adds or removes the **User Settings** icon on the System screen, which allows users to access the User Settings screen.

Syntax

```
allowusersetup <get|yes|no>
```

Parameter	Description
get	Returns the current setting.
yes	Enables the User Settings icon.
no	Disables the User Settings icon.

Feedback Examples

- allowusersetup no
returns
allowusersetup no
- allowusersetup yes
returns
allowusersetup yes
- allowusersetup get
returns
allowusersetup yes

Comments

This command is useful to prevent users from changing the user settings.

amxdd

Sets or gets the AMX Device Discovery beacon.

Syntax

```
amxdd get  
amxdd <on|off>
```

Parameter	Description
get	Returns the current setting.
on	Turns on the AMX Device Discovery beacon.
off	Turns off the AMX Device Discovery beacon.

Feedback Examples

- amxdd get
returns
amxdd off
- amxdd on
returns
amxdd on

Comments

The default setting for this signal is "off".

Turning on this command sends out the AMX Device Discovery beacon over the LAN interface. On serial port API sessions, a similar feature is always enabled. This command does not affect that feature on serial port API sessions.

answer

Answers incoming video or phone calls (analog voice or ISDN voice).

Syntax

answer <video|phone>

Parameter	Description
video	Answers incoming video calls when Auto Answer Point-to-Point Video or Auto Answer Multipoint Video is set to No.
phone	Answers incoming analog phone or ISDN voice calls.

Feedback Examples

- answer video
returns
answer incoming video call failed
- answer video
returns
answer incoming video call passed
- answer phone
returns
answer incoming phone call failed
- answer phone
returns
answer incoming phone call passed

areacode

Sets or gets the area code for all ISDN lines. This command is only applicable if you have a network interface connected to your system.

Syntax

```
areacode get  
areacode set "areacode"
```

Parameter	Description
get	Returns the area code information.
set	Sets the ISDN area code when followed by the area code parameter. To erase the current setting, omit "areacode".
"areacode"	Area code to use for all lines.

Feedback Examples

- areacode set 212
returns
areacode 212
- areacode get
returns
areacode 212

Comments

This area code is associated with the area where the system is used.

audiometer

Queries and displays audio levels, once per second.

Syntax

audiometer

```
<mi cl eft | mi cri ght | l i nei nl eft | l i nei nri ght | l i neoutl eft | l i neoutri ght |
contenti nl eft | contenti nri ght | vc ri nl eft | vc ri nri ght | vcroutl eft |
vcroutri ght | farendl eft | farendri ght | off>
```

Parameter	Description
mi cl eft	Measures the audio strength of the signal coming from all microphones assigned to the "left" microphone channel.
mi cri ght	Measures the audio strength of the signal coming from all microphones assigned to the "right" microphone channel.
l i nei nri ght	Measures the audio strength of the signal connected to the right line input port.
l i nei nl eft	Measures the audio strength of the signal connected to the left line input port.
l i neoutl eft	Measures the audio strength of the signal on the left main audio output port.
l i neoutri ght	Measures the audio strength of the signal on the right main audio output port.
contenti nl eft	Measures the audio strength of the signal on the left content audio input port.
contenti nri ght	Measures the audio strength of the signal on the right content audio input port.
vc ri nl eft	Measures the strength of the signal on the left VCR/DVD audio input port.
vc ri nri ght	Measures the strength of the signal on the right VCR/DVD audio input port.
vcroutl eft	Measures the strength of the signal on the left VCR/DVD audio output port.
vcroutri ght	Measures the strength of the signal on the right VCR/DVD audio output port.

Parameter	Description
farendri ght	Measures the strength of the signal on the right channels of all far-site audio inputs.
farendl eft	Measures the strength of the signal on the left channels of all far-site audio inputs.
off	Turns off audiometer output.

Feedback Examples

- audiometer micleft
 returns
 audiometer micleft level peak: -19
 audiometer micleft level peak: -19
 audiometer micleft level peak: -19
 audiometer micleft level peak: -20
 audiometer micleft level peak: -20
 audiometer micleft level peak: -20
 audiometer micleft level peak: -20
 audiometer micleft level peak: -20
 and so on until you enter
 audiometer off
- audiometer micright
 returns
 audiometer micright level peak: -19
 audiometer micright level peak: -19
 audiometer micright level peak: -19
 audiometer micright level peak: -20
 audiometer micright level peak: -20
 audiometer micright level peak: -20
 audiometer micright level peak: -20
 audiometer micright level peak: -20
 and so on until you enter
 audiometer off

Comments

Audio level of a port is measured on the spectrum ranging from -20 dB to +20 dB. Use the audiometer command for a different port to stop monitoring a previous port and to begin monitoring a new port. To turn off monitoring, use audiometer off and watch for the audiometer off acknowledgement or registration response, which confirms that the audiometer monitoring is turned off.

audiotransmitlevel

Sets or gets the audio volume transmitted to the far site, or notification of transmit level changes.

Syntax

```
audiotransmitlevel <get|up|down|register|unregister>
audiotransmitlevel set {-20..30}
```

Parameter	Description
get	Returns the current setting.
up	Sets the volume 1 decibel higher than the current setting.
down	Sets the volume 1 decibel lower than the current setting.
register	Registers to receive notification when audio transmit level changes.
unregister	Unregisters to receive notification when audio transmit level changes.
set	Sets the volume to the specified dB level. Valid values are: {-20..30}.

Feedback Examples

- audiotransmitlevel set 2
returns
audiotransmitlevel 2
- audiotransmitlevel get
returns
audiotransmitlevel 2
- audiotransmitlevel up
returns
audiotransmitlevel 3
- audiotransmitlevel down
returns
audiotransmitlevel 2
- audiotransmitlevel register
returns
audiotransmitlevel registered

- `audiotransmitlevel unregister`
returns
`audiotransmitlevel unregistered`

autoanswer

Sets or gets the Auto Answer Point-to-Point Video mode, which determines how the system handles an incoming call in a point-to-point video conference.

Syntax

```
autoanswer <get|yes|no|donotdi sturb>
```

Parameter	Description
yes	Allows any incoming video call to be connected automatically. This is the default setting.
no	Prompts the user to answer incoming video calls.
donotdi sturb	Notifies the user of incoming calls, but does not connect the call. The site that placed the call receives a Far Site Busy (H.320) or Call Rejected (H.323) code.
get	Returns the current setting.

Feedback Examples

- autoanswer yes
returns
autoanswer yes
- autoanswer no
returns
autoanswer no
- autoanswer get
returns
autoanswer no
- autoanswer donotdi sturb
returns
autoanswer donotdi sturb

Comments

If autoanswer is set to no or donotdi sturb, you must rely on API session notifications to answer inbound calls.

autoshowcontent

Specifies whether to send content automatically when a computer is connected to the system.

Syntax

autoshowcontent <get|on|off>

Parameter	Description
get	Returns the current setting.
on	Sets the system to send content automatically when a computer is connected to the system.
off	Sets the system to not send content automatically.

Feedback Examples

- autoshowcontent on
returns
autoshowcontent on
- autoshowcontent off
returns
autoshowcontent off
- autoshowcontent get
returns
autoshowcontent off

backlightcompensation

Sets or gets the Backlight Compensation mode.

Syntax

backlightcompensation <get|yes|no>

Parameter	Description
get	Returns the current setting.
yes	Enables Backlight Compensation. The camera automatically adjusts for a bright background.
no	Disables the option.

Feedback Examples

- backlightcompensation yes
returns
backlightcompensation yes
- backlightcompensation no
returns
backlightcompensation no
- backlightcompensation get
returns
backlightcompensation no

basicmode

Sets or gets the Basic Mode configuration, a limited operating mode that uses H.261 for video and G.711 for audio. Basic mode provides administrators with a workaround for interoperability issues that cannot be solved using other methods.

Syntax

```
basi cmode <get|on|off>
```

Parameter	Description
get	Returns the current setting.
on	Enables basic mode.
off	Disables basic mode.

Feedback Examples

- basi cmode on
returns
basi cmode on
- basi cmode off
returns
basi cmode off
- basi cmode get
returns
basi cmode off

bri1enable, bri2enable, bri3enable, bri4enable

Sets or gets the configuration of the specified ISDN BRI line. This command is only applicable if you have a BRI network interface connected to your system.

Syntax

```
bri 1enable <get|yes|no>
bri 2enable <get|yes|no>
bri 3enable <get|yes|no>
bri 4enable <get|yes|no>
```

Parameter	Description
get	Returns the status of the BRI line—yes if enabled, no if disabled.
yes	Enables the BRI line.
no	Disables the BRI line.

Feedback Examples

- bri 1enable yes
returns
bri 1enable yes
- bri 1enable no
returns
bri 1enable no
- bri 1enable get
returns
bri 1enable no

briallenable

Sets or gets the configuration of all ISDN BRI lines. This command is only applicable if you have a BRI network interface connected to your system.

Syntax

```
bri all enable <get|yes|no>
```

Parameter	Description
get	Returns the status of all BRI lines—yes if enabled, no if disabled.
yes	Enables all BRI lines.
no	Disables all BRI lines.

Feedback Examples

- `bri all enable yes`
returns
`bri 1enable yes`
`bri 2enable yes`
`bri 3enable yes`
`bri 4enable yes`
- `bri all enable no`
returns
`bri 1enable no`
`bri 2enable no`
`bri 3enable no`
`bri 4enable no`
- `bri all enable get`
returns
`bri 1enable no`
`bri 2enable no`
`bri 3enable no`
`bri 4enable no`

Comments

`bri all enable yes` only enables lines where the directory numbers have been populated.

button

Simulates Polycom remote control buttons.

Syntax

```
button <#|*|0|1|2|3|4|5|6|7|8|9|. >
button <down|left|right|select|up>
button <auto|back|call|far|graphics|hangup|near>
button <help|mute|volume+|volume-|lowbattery|zoom+|zoom->
button <pickedup|putdown>
button <camera|delete|directory|home|keyboard|period|pip|preset>
button <info|menu|slides|option>
button "valid_button" ["valid_button" ... ]
button <mmstop|mmlay|mmpause|mmrecord|mmforward|mmrewind>
```

Parameter	Description
.	Types a period (dot) if the cursor is on a text field.
#	Sends the # button signal to the user interface.
*	Sends the * button signal to the user interface.
["valid_button" ...]	Sends one or more remote control button signals.
0 1 2 3 4 5 6 7 8 9	Sends the corresponding numeric button signal to the user interface.
auto	Sends the Auto button signal to the user interface.
back	Simulates the Back button on multiple-page screens.
call	Sends the Call button signal to the user interface.
camera	Sends the Camera button signal to the user interface.
delete	Sends the Delete button signal to the user interface.
directory	Sends the Directory button signal to the user interface.
down	Sends the down arrow button signal to the user interface.
far	Sends the Far button signal to the user interface.
graphics	Sends the Content button signal to the user interface.
hangup	Sends the Hang Up button signal to the user interface.
help	Sends the Help button signal to the user interface.
home	Sends the Home button signal to the user interface.
info	Sends the Info button signal to the user interface.

Parameter	Description
keyboard	Brings up the on-screen keyboard if the cursor is on a text field.
left	Sends the left arrow button signal to the user interface.
lowbattery	Simulates a low battery alert for the remote control.
menu	Sends the Menu button signal to legacy systems. Deprecated. Polycom recommends using back instead of this button.
mmstop	Stops the video stream on the RSS-4000™.
mmplay	Plays the video stream on the RSS-4000.
mmpause	Pauses the video stream on the RSS-4000.
mmrecord	Records the video stream on the RSS-4000.
mmforward	Fast forwards the video stream on the RSS-4000.
mmrewind	Rewinds the video stream on the RSS-4000.
mute	Sends the Mute button signal to the user interface, causing a toggle of mute state.
near	Sends the Near button signal to the user interface.
option	Sends the Option button signal to the user interface.
period	Types a period (dot) if the cursor is on a text field.
pickedup	Sends a signal indicating that the remote control has been picked up.
pip	Sends the Display button signal to the user interface.
preset	Sends the Preset button signal to the user interface.
putdown	Sends a signal indicating that the remote control has been set down.
right	Sends the right arrow button signal to the user interface.
select	Sends the Select (center button) button signal to the user interface.
slides	Sends the Slides button signal to legacy systems. Deprecated. Polycom recommends using graphics instead of this button.
up	Sends the up arrow button signal to the user interface.
volume-	Sends the volume - button signal to the user interface.

Parameter	Description
volume+	Sends the volume + button signal to the user interface.
zoom-	Sends the zoom - button signal to the user interface.
zoom+	Sends the zoom +button signal to the user interface.

Feedback Examples

- button up
sends the up arrow command to the user interface and returns
button up
- button near left right call
is valid, sends the near, left arrow, right arrow, and call commands to the user interface, and returns
button near
button left
button right
button call
- button mmstop
returns
button mmstop
- button mmplay
returns
button mmplay

The command checks for invalid input and reports button responses as they are processed. One of three status values is returned when the command is issued for multiple buttons:

- succeeded—all buttons are valid
- failed—all input is invalid and none can perform a valid action
- completed—some are invalid, and responses specify each as valid or invalid

For example:

- button camera right center select
returns
button camera
button right
error: button center not a recognized command
button select
button completed

Long button command sequences will complete before a second command is considered. Feedback for button command sequences that include multiple buttons show only the first button name.

Comments

Several parameters can be combined in the same command in any order.

The button commands are not recommended. When possible, use another API command instead of the button commands, which rely on the current organization of the user interface.

Use button `pi p` to send the **Display** button signal to the user interface.

Feedback responses from RSS-2000 parameters are not from the RSS-2000 and are not an indication that you are in control of the RSS-2000. You can issue the commands when you are not connected to the RSS-2000 and still receive feedback.

calendardomain

Gets and sets the domain used by the calendaring service to log in to the Microsoft® Exchange server.

Syntax

```
calendardomain get  
calendardomain "domain"
```

Parameter	Description
get	Returns the domain used by the calendaring service.
"domain"	The domain to be used by the calendaring service.

Feedback Examples

- calendardomain get
returns
calendardomain smithfield
- calendardomain fairview
returns
calendardomain fairview

See Also

To enable or disable the calendaring service, use the [calendarregisterwithserver](#) command on page 4-52. To configure the Microsoft Exchange server address used by this service use the [calendarserver](#) command on page 4-55. To set the resource mailbox to be monitored, use the [calendarresource](#) command on page 4-54.

calendarmeetings

Retrieves scheduled meetings within the given time span or with the given meeting ID.

Syntax

```
calendarmeetings list "starttime" ["endtime"]
calendarmeetings info "meetingid"
```

Parameter	Description
list	Returns the meeting id or ids for meetings that start at or after the specified start time and end time.
"starttime"	The start time of meetings to be retrieved. The start time can be entered in one of the following formats: <ul style="list-style-type: none"> • YYYY-MM-DD:HH:MM • today:HH:MM • today • tomorrow:HH:MM • tomorrow The times are interpreted to be local times in the time zone the system was configured for.
"endtime"	The end time of meetings to be retrieved. This parameter can be given in the following format. <ul style="list-style-type: none"> • YYYY-MM-DD:HH:MM • today:HH:MM • today • tomorrow:HH:MM • tomorrow The times are interpreted to be local times in the time zone the system was configured for.
info	Retrieves meeting details for scheduled meetings when the Polycom HDX system is registered with the calendaring service. Returns information such as the location, subject and organizer of the meeting.
"meetingid"	The ID of the meeting for which you want to find details.

Feedback Examples

- calendarmeetings list tomorrow
returns
calendarmeetings list begin
meeting|AAAaAEFsZXguTWFj RG9uYWxkQHBvbHI j b20uY29tAVEACI j Mne2
/ndgARgAAAADr9GI hsSj WEZBcAAKzMphJBwA4wi cbtr3UEZArAKAk09LtAA
ACZpKWAADe7hJI eQI 0S7j 2mzRJxkLKAAADI /F8BAAA|2010-03-30: 08: 30
|2010-03-30: 09: 00|Di scuss Budget
meeting|AAAaAEFsZXguTWFj RG9uYWxkQHBvbHI j b20uY29tAVEACI j Mne2
/ndgARgAAAADr9GI hsSj WEZBcAAKzMphJBwA4wi cbtr3UEZArAKAk09LtAA
ACZpKWAADe7hJI eQI 0S7j 2mzRJxkLKAAAA/9PhAAAQ|2010-03-30: 09: 00
|2010-03-30: 09: 30|Program Revi ew
meeting|AAAaAEFsZXguTWFj RG9uYWxkQHBvbHI j b20uY29tAVEACI j Mne2
/ndgARgAAAADr9GI hsSj WEZBcAAKzMphJBwA4wi cbtr3UEZArAKAk09LtAA
ACZpKWAABZ29FOUOS5Q6xzZ1I zDDNnAABFQAQ3AAAQ|2010-03-30: 10: 00
|2010-03-30: 11: 00|Customer Care Commi tment Meeting
calendarmeetings list end
- calendarmeetings list 2010-03-30: 08: 00 2010-04-01: 17: 00
returns
calendarmeetings list begin
meeting|AAAaAEFsZXguTWFj RG9uYWxkQHBvbHI j b20uY29tAVEACI j Mne2
/ndgARgAAAADr9GI hsSj WEZBcAAKzMphJBwA4wi cbtr3UEZArAKAk09LtAA
ACZpKWAADe7hJI eQI 0S7j 2mzRJxkLKAAADI /G8AAAQ|2010-03-30: 08: 30
|2010-03-30: 09: 00|Bug Scrub
meeting|AAAaAEFsZXguTWFj RG9uYWxkQHBvbHI j b20uY29tAVEACI j Mne2
/ndgARgAAAADr9GI hsSj WEZBcAAKzMphJBwA4wi cbtr3UEZArAKAk09LtAA
ACZpKWAABZ29FOUOS5Q6xzZ1I zDDNnAABFQARCAAAQ|2010-03-30: 11: 30
|2010-03-30: 12: 30|HDX/IP7000/Conference Coordi nati on
meeting|AAAaAEFsZXguTWFj RG9uYWxkQHBvbHI j b20uY29tAVEACI j Mne2
/ndgARgAAAADr9GI hsSj WEZBcAAKzMphJBwA4wi cbtr3UEZArAKAk09LtAA
ACZpKWAABZ29FOUOS5Q6xzZ1I zDDNnAABFQAQ3AAAQ|2010-04-01: 16: 30
|2010-04-01: 17: 00|Customer Care Commi tment Meeting
calendarmeetings list end

- calendarmeetings info
AAAaAEFsZXguTWFjRG9uYWxkQHBvbHIjb20uY29tAVEACIjMne2/ndgARgA
AAADr9GIhsSjWEZBcAAKzMphJBwA4wibctr3UEZArAKAk09LtAAACZpKWAA
De7hJIeQIOS7j2mzRJxkLKAAADI/G8AAAQ
returns
calendarmeetings info start
id|AAAaAEFsZXguTWFjRG9uYWxkQHBvbHIjb20uY29tAVEACIjMne2/ndgA
RgAAADr9GIhsSjWEZBcAAKzMphJBwA4wibctr3UEZArAKAk09LtAAACZpK
WAADe7hJIeQIOS7j2mzRJxkLKAAADI/G8AAAQ
2010-03-30: 08: 30|2010-03-30: 09: 00|di al abl e|publ ic
organi zer|Russel l Bel l
locati on|Russel l 's RMX Meeting Room - IP Video Number: 123456
(i f regi stered to corp GK); 888-123-4567/978-123-4567 wi th
passcode: #760900
subj ect|Bug Scrub
di al i ngnumber|vi deo|733397@vsgwstdma01.r13.vsg.local2|si p
di al i ngnumber|vi deo|733397|h323
di al i ngnumber|audi o|48527
meeti ngpassword|none
attende e|Russel l Bel l
attende e|Rebecca Sharp
calendarmeetings info end
- calendarmeetings info
AAAaAEFsZXguTWFjRG9uYWxkQHBvbHIjb20uY29tAVEACIjMn4AUcVgARgA
AAADr9GIhsSjWEZBcAAKzMphJBwA4wibctr3UEZArAKAk09LtAAACZpKWAA
De7hJIeQIOS7j2mzRJxkLKAAAA30GwAAAQ
returns
calendarmeetings info start
id|AAAaAEFsZXguTWFjRG9uYWxkQHBvbHIjb20uY29tAVEACIjMn4AUcVgA
RgAAADr9GIhsSjWEZBcAAKzMphJBwA4wibctr3UEZArAKAk09LtAAACZpK
WAADe7hJIeQIOS7j2mzRJxkLKAAAA30GwAAAQ
2010-04-01: 10: 30|2010-04-01: 11: 00|nondi al abl e|pri vate
organi zer|Rebecca Sharp
locati on|Red River conference room
subj ect|Escal ati ons Revi ew
attende e|Rosl i n Adam
attende e|Conf. AUS. Red Ri ver
attende e|Cl audi a Nevarez
calendarmeetings info end

Comments

If the meeting's end time is more than 31 days from the meeting's start time, the response is shortened to `starttime+31days`, and meetings that start in that time span are returned.

If an API client is logged in with user-level credentials and if the Polycom HDX system is configured to hide private meeting information on the web interface, the API hides the information from the API client and shows the subject of the meeting as "Private Meeting"; for example:

```
calendarmeetings list begin
meeting|AAAAAEFsZXguTWFjRG9uYWxkQHBvbHlj b20uY29tAVEACIjMn4AUcVg
ARgAAAADr9GIhsSjWEZBcAAKzMphJBwA4wibctr3UEZArAKAk09LtAAACZpKWAA
De7hJl eQl OS7j 2mzRJxkLKAAAA30GwAAAQ|2009-09-25: 08: 30|2009-09-25: 09:
15|private meeting
calendarmeetings list end
```

If a Polycom HDX system is configured to provide private meeting information on the web interface, the API provides the same information to the API client; for example:

```
calendarmeetings list begin
meeting|AAAZAGV4Y2H1C2VYMDFACJEZLNZZZY5SB2NHBDI ARGAAAAAAKQKC8WW
3CUWGCPM+AP66WQCASOLXUYMOMEKYBQJJ1ZOMBWASDQANHQAAASOLXUYMOMEKYBQ
JJ1ZOMBWASDQASVGAA|2009-09-25: 08: 30|2009-09-25: 09: 15| Demo
calendarmeetings list end
```

If the API client is logged in with admin-level credentials, the API provides private meeting information to the API client, regardless of the HDX configuration for displaying private meeting information; for example:

```
calendarmeetings list begin
meeting|AAAZAGV4Y2H1C2VYMDFACJEZLNZZZY5SB2NHBDI ARGAAAAAAKQKC8WW
3CUWGCPM+AP66WQCASOLXUYMOMEKYBQJJ1ZOMBWASDQANHQAAASOLXUYMOMEKYBQ
JJ1ZOMBWASDQASVGAA|2009-09-25: 08: 30|2009-09-25: 09: 15|Release plan
meeting|AAAZAGV4Y2H1C2VYMDFACJEZLNZZZY5SB2NHBDI ARGAAAAAAKQKC8WW
3CUWGCPM+AP66WQCASOLXUYMOMEKYBQJJ1ZOMBWASDQANHQAAASOLXUYMOMEKYBQ
JJ1ZOMBWASDQASVGAA|2009-09-23: 11: 00|2009-09-23: 11: 45|Product roadmap
for 2010
calendarmeetings list end
```

The calendaring service must be registered with Microsoft Exchange server for the `calendarmeetings` command to work successfully. If the calendar credentials are invalid, the server address is not valid, or the configured user credentials don't have access permissions to the resource mailbox calendar, the service will fail to register.

This command has multi line output.

The following characters in the meeting subject will not be displayed:

- | (vertical bar)
- CR (carriage return)
- LF (line feed)

See Also

To enable or disable the calendaring service, use the [calendarregisterwithserver](#) command on page 4-52. To configure the Microsoft Exchange server address used by this service use the [calendarserver](#) command on page 4-55.

calendarpassword

Sets the password used by the calendaring service to log in to the Microsoft Exchange server.

Syntax

```
calendarpassword "password"
```

Parameter	Description
"password"	The password used by the calendaring service to log in to the Microsoft Exchange server.

Feedback Examples

```
calendarpassword Dsca1end@r  
returns  
calendarpassword Dsca1end@r
```

Comments

The password can be up to 15 characters long and is case-sensitive. Use strong passwords that combine uppercase and lowercase letters, numbers, and symbols.

See Also

To enable or disable the calendaring service, use the [calendarregisterwithserver](#) command on page 4-52.

calendarplaytone

Enables or disables the reminder alert tone that plays with the meeting reminder when the Polycom HDX system is registered with the calendaring service.

Syntax

```
cal endarpl aytone get
cal endarpl aytone <yes|no>
```

Parameter	Description
get	Gets the current setting for the alert tone.
yes	Enables the alert tone.
no	Disables the alert tone.

Feedback Examples

- cal endarpl aytone get
returns
cal endarpl aytone yes
- cal endarpl aytone yes
returns
cal endarpl aytone yes
- cal endarpl aytone no
returns
cal endarpl aytone no

See Also

See [calendarremindertime](#) command on page 4-53.

calendarregisterwithserver

Enables or disables the calendaring service.

Syntax

```
calendarregisterwithserver get  
calendarregisterwithserver <yes|no>
```

Parameter	Description
get	Returns the current server registration status.
yes	Enables the calendaring service.
no	Disables the calendaring service.

Feedback Examples

- calendarregisterwithserver get
returns
calendarregisterwithserver no
- calendarregisterwithserver yes
returns
calendarregisterwithserver yes
- calendarregisterwithserver no
returns
calendarregisterwithserver no

Comments

To configure the Microsoft Exchange server address used by the calendaring service use the [calendarserver](#) command on page 4-55.

calendarremindertime

Gets and sets the reminder time for meetings in the calendar when the system is registered with the calendaring service.

Syntax

```
calendarremindertime <get|1|5|10|15|30|none>
```

Parameter	Description
get	Gets the current reminder time.
1 5 10 15 30 none	The number of minutes before a meeting starts that a meeting reminder is given.

Feedback Examples

- `calendarremindertime get`
returns
`calendarremindertime 5`
- `calendarremindertime 15`
returns
`calendarremindertime 15`
- `calendarremindertime none`
returns
`calendarremindertime none`

Comments

By default, the reminder time is set to 5 minutes.

See Also

Use the [notify](#) command on page [4-251](#) to register for meeting reminders.

See also [calendarplaytone](#) command on page [4-51](#).

calendarresource

Gets and sets the mailbox account being monitored for calendar events. The mailbox account is called a resource.

Syntax

```
calendarresource get  
calendarresource "resource"
```

Parameter	Description
get	Returns the resource being monitored for calendar events.
"resource"	The resource to monitor for calendaring events.

Feedback Examples

- calendarresource get
returns
calendarresource radam@abcde.com
- calendarresource jmcnulty@abcde.com
returns
calendarresource jmcnulty@abcde.com

Comments

A resource can be a user mailbox or a resource mailbox. A resource mailbox is a mailbox specifically assigned to a meeting room.

See Also

Use the [calendarregisterwithserver](#) command on page 4-52 to enable or disable the calendaring service. See the [calendarserver](#) command on page 4-55 to configure the Microsoft Exchange server address used by the calendaring service.

calendarserver

Gets or sets the Microsoft Exchange server used by the calendaring service.

Syntax

```
calendarserver get
calendarserver "server"
```

Parameter	Description
get	Gets the current Microsoft Exchange server used by the calendaring service.
"server"	The IP address or DNS name of the Microsoft Exchange server to be used by the calendaring service.

Feedback Examples

- ```
calendarserver get
returns
calendarserver 192.168.44.168
```
- ```
calendarserver 192.168.23.221
returns
calendarserver 192.168.23.221
```
- ```
calendarserver get
returns
calendarserver mail.exchangeserver.local.com
```
- ```
calendarserver mail2.exchserver.local.com
returns
calendarserver mail2.exchserver.local.com
```

See Also

Use the [calendarregisterwithserver](#) command on page 4-52 to enable or disable the calendaring service.

calendarshowpvtmeetings

Enables or disables the display of private meetings in the calendar when the system is registered with the calendaring service.

Syntax

```
calendarshowpvtmeetings get  
calendarshowpvtmeetings <yes|no>
```

Parameter	Description
get	Gets the current setting for private meeting display.
yes	Enables the display of private meetings.
no	Blocks the display of private meetings.

Feedback Examples

- calendarshowpvtmeetings get
returns
calendarshowpvtmeetings no
- calendarshowpvtmeetings yes
returns
calendarshowpvtmeetings yes
- calendarshowpvtmeetings no
returns
calendarshowpvtmeetings no

calendarstatus

Returns the status of the Microsoft Exchange server connection.

Syntax

```
calendarstatus get
```

Parameter	Description
get	Returns the Microsoft Exchange server connection status.

Feedback Examples

- calendarstatus get
returns
calendarstatus established
- calendarstatus get
returns
calendarstatus unavailable

See Also

Use the [calendarregisterwithserver](#) command on page 4-52 to enable or disable the calendaring service.

calendaruser

Gets or sets the user name the calendaring service uses to log in to the Microsoft Exchange server.

Syntax

```
calendaruser get  
calendaruser "username"
```

Parameter	Description
get	Returns the user name being used by the calendaring service.
username	The user name the calendaring service uses to log in to the Microsoft Exchange server.

Feedback Examples

- calendaruser get
returns
calendaruser j polycom

See Also

See the [calendarserver](#) command on page 4-55 to configure the Microsoft Exchange server address used by this service.

calldetail

Displays all call detail records, a specific call detail record, or the call detail range.

Syntax

```
calldetail <"Nth_item" |all >
calldetail range
```

Parameter	Description
"Nth_item"	Displays the Nth call detail record.
all	Displays all call detail records.
range	Displays the range of records in the call detail report.

Feedback Examples

- calldetail 1
 returns
 1, 02/Nov/2008, 16: 34: 34, 02/Nov/2008, 16: 34: 34, 0: 00: 00, ---, Pol
 ycom HDX Demo, 192. 168. 1. 101, ---, h323, 384Kbps, "Pol ycom/HDX
 9004/
 2. 5", Out, 2, 1, ---, ---, ---, termi nal , 192. 168. 1. 101, Si ren22, Si r
 en22,
 H. 264, H. 264, 4SIF, ----, "The call has ended. ; Local user
 ini ti ated
 hangup. ", 16, ---, 0. 00, 0. 00, 0. 00, 0. 00, 0, 0, 0, 0, 0, 0, 0
- calldetail range
 returns
 1. . 29

calldetailreport

Sets or gets whether to generate a report of all calls made with the system.

Syntax

cal l detai l report <get|yes|no>

Parameter	Description
get	Returns the current setting.
yes	Turns on call detail reporting.
no	Turns off call detail reporting.

Feedback Examples

- cal l detai l report yes
returns
cal l detai l report yes
- cal l detai l report no
returns
cal l detai l report no
- cal l detai l report get
returns
cal l detai l report no

Comments

cal l detai l no disables both the Call Detail Report and Recent Calls features.

callinfo

Returns information about the current call. If you are in a multipoint call, this command returns one line for each site in the call.

Syntax

```
callinfo all
callinfo callid "callid"
```

Parameter	Description
all	Returns information about each connection in the call.
callid	Returns information about the connection with the specified call ID.

Feedback Examples

- ```
callinfo all
returns
callinfo begin
callinfo: 43: Polycom HDX Demo: 192.168.1.101:384: connected:
notmuted: outgoing: videocall
callinfo: 36: 192.168.1.102:256: connected: muted: outgoing: videocall
callinfo end
```
- ```
callinfo callid 36
returns
callinfo: 36: 192.168.1.102:256: connected: muted: outgoing: videocall
```
- ```
callinfo all
returns
system is not in a call
when no call is currently connected
```

### Comments

The callid information is returned using the following format:

```
callinfo: <callid>: <far site name>: <far site number>: <speed>:
<connection status>: <mute status>: <call direction>: <call type>
```

## callstate

Sets or gets the call state notification for call state events.

### Syntax

callstate <get|register|unregister>

| Parameter  | Description                                                   |
|------------|---------------------------------------------------------------|
| get        | Returns the current setting.                                  |
| register   | Registers the system to give notification of call activities. |
| unregister | Disables the register mode.                                   |

### Feedback Examples

- callstate register  
returns  
callstate registered
- callstate unregister  
returns  
callstate unregistered
- callstate get  
returns  
callstate unregistered

After registering, the following callstate (cs:) data is returned when connecting an IP call:

```
cs: call[34] chan[0] dialstr[192.168.1.103] state[ALLOCATED]
cs: call[34] chan[0] dialstr[192.168.1.103] state[RINGING]
cs: call[34] chan[0] dialstr[192.168.1.103] state[BONDING]
cs: call[34] chan[0] dialstr[192.168.1.103] state[BONDING]
cs: call[34] chan[0] dialstr[192.168.1.103] state[COMPLETE]
active: call[34] speed [384]
```

Note: The [BONDING] responses in IP calls are extraneous text that will be removed in a subsequent software version.

After registering, the following response occurs when disconnecting an IP call:

```
cleared: call[34]
dialstr[IP: 192.168.1.103 NAME: Polycom HDX Demo]
ended: call[34]
```

## See Also

You can also use the [notify](#) command on page [4-251](#) and the [nonotify](#) command on page [4-250](#) for notifications.

For more information about call status messages, refer to [Status Messages](#) command on page [B-1](#) .

## callstats

Returns call summary information.

### Syntax

```
callstats
```

### Feedback Examples

- callstats  
returns  
timeinlastcall 0:02:35  
totalnumberofcalls 23  
totalnumberofpcalls 23  
totaltimepcalls 2:08:44  
percentagepcalls 100%  
totalnumberofsdncalls 0  
totaltimesdncalls 00:00:00  
percentagesdncalls 0%

## camera

Sets or gets the near-site or far-site camera settings.

### Syntax

```

camera near {1..6}
camera far {1..5}
camera <near|far> move <left|right|up|down|zoom+|zoom-|stop>
camera <near|far> move <continuous|discrete>
camera <near|far> source
camera <near|far> stop
camera near <getposition|setposition "x" "y" "z">
camera near ppcip
camera near tracking statistics
camera near tracking <get|on|off>
camera for-people {2..5}
camera for-content {2..5}
camera list-content
camera <register|unregister>
camera register get

```

| Parameter      | Description                                                                                                                                                                                  |
|----------------|----------------------------------------------------------------------------------------------------------------------------------------------------------------------------------------------|
| near           | Specifies that the command selects or controls the near camera.                                                                                                                              |
| far            | Specifies that the command selects or controls the far camera.                                                                                                                               |
| {1..6}, {1..5} | Specifies a near or far camera as the main video source. camera near 6 selects Polycom People+Content™ IP if it is running and connected to the system.                                      |
| move           | Changes the near or far camera's direction or zoom. Only continuous and discrete return feedback. Valid directions are: left, right, up, down, zoom+, zoom-, stop, continuous, and discrete. |
| left           | Starts moving the camera left.                                                                                                                                                               |
| right          | Starts moving the camera right.                                                                                                                                                              |
| up             | Starts moving the camera up.                                                                                                                                                                 |
| down           | Starts moving the camera down.                                                                                                                                                               |
| zoom+          | Starts zooming in.                                                                                                                                                                           |
| zoom-          | Starts zooming out.                                                                                                                                                                          |
| stop           | Stops the near or far camera when in continuous mode. Returns no feedback.                                                                                                                   |

| Parameter               | Description                                                                                                                                                                                                                                                                                                                                                                                                                                                                                                                     |
|-------------------------|---------------------------------------------------------------------------------------------------------------------------------------------------------------------------------------------------------------------------------------------------------------------------------------------------------------------------------------------------------------------------------------------------------------------------------------------------------------------------------------------------------------------------------|
| continuous              | Selects continuous movement mode. The camera moves in direction specified until a camera <near far> move stop command is sent. This is the default setting.                                                                                                                                                                                                                                                                                                                                                                     |
| discrete                | Selects discrete movement mode. The camera moves a small amount in the direction specified and then stop. No stop command is required.                                                                                                                                                                                                                                                                                                                                                                                          |
| source                  | Returns the number of the near or far camera source currently selected.                                                                                                                                                                                                                                                                                                                                                                                                                                                         |
| getposition             | Gets the pan, tilt, and zoom coordinates of the currently selected PTZ camera in the format of pan tilt zoom.                                                                                                                                                                                                                                                                                                                                                                                                                   |
| setposition "x" "y" "z" | <p>Sets the pan (x), tilt (y), and zoom (z) coordinates of the currently selected PTZ camera. Camera PTZ range:</p> <p>-880 &lt;= pan &lt;= 880<br/> -300 &lt;= tilt &lt;= 300<br/> 0 &lt;= zoom &lt;= 1023</p> <p><b>Notes:</b><br/> The camera PTZ range applies to the Polycom EagleEye HD camera. Different cameras might have different PTZ values.<br/> Some D30 cameras might not be able to reach the designed range limit. For example, although the pan limit is 880, the camera might only be able to reach 860.</p> |
| ppcip                   | Specifies People+Content IP as the main video source if it is running and connected to the system.                                                                                                                                                                                                                                                                                                                                                                                                                              |
| for-people {2..5}       | Sets the source for the specified camera to People.                                                                                                                                                                                                                                                                                                                                                                                                                                                                             |
| for-content {2..5}      | Sets the source for the specified camera to Content.                                                                                                                                                                                                                                                                                                                                                                                                                                                                            |
| list-content            | Gets a list of cameras configured as Content.                                                                                                                                                                                                                                                                                                                                                                                                                                                                                   |
| register                | Registers to receive feedback when the user changes the camera source. Returns the current camera registration state when followed by the get parameter.                                                                                                                                                                                                                                                                                                                                                                        |

| Parameter                | Description                                                                                                                                                                                                                                                                                                                                                                                                         |
|--------------------------|---------------------------------------------------------------------------------------------------------------------------------------------------------------------------------------------------------------------------------------------------------------------------------------------------------------------------------------------------------------------------------------------------------------------|
| unregister               | Unregisters to receive feedback when the user changes the camera source.                                                                                                                                                                                                                                                                                                                                            |
| tracking statistics      | Gets EagleEye Director tracking statistics. Tracking statistics measure: <ul style="list-style-type: none"> <li>the amount of time tracking is turned off divided by the total call time in the most recent 100 calls lasting more than five minutes.</li> <li>the amount of room and close-up view switches divided by the total call time in the most recent 100 calls lasting more than five minutes.</li> </ul> |
| tracking<br><get on off> | Enables or disables the Polycom EagleEye Director tracking feature. on turns the tracking feature on, off turns the tracking feature off, and get returns the current tracking feature setting.                                                                                                                                                                                                                     |

## Feedback Examples

- camera far 2  
specifies camera 2 at the far-site and returns  
camera far 2
- camera far move left  
causes the far-site camera to start panning to the left and returns  
event: camera far move left
- camera near move zoom+  
causes the near-site camera to zoom in and returns  
event: camera near move zoom+
- camera register  
returns  
camera registered
- camera unregister  
returns  
camera unregistered
- camera near tracking statistics  
returns  
EagleEye Director Tracking Statistics begin  
Tracking Disable Percentage: 3%  
View Switching Frequency (Per Hour): 50  
EagleEye Director Tracking Statistics end
- camera near tracking off  
returns  
camera near tracking off

- camera near tracking on  
returns  
camera near tracking on
- camera near tracking get  
returns  
camera near tracking Voice

### Comments

If the camera near {1..6} API command is used for an input configured as content, the command becomes a toggle. You must send the command once to send the content source and a second time to stop the content source. The camera near 6 command and the camera near ppcip command provide the same functionality.

The camera register command does not return local camera movements if the camera is moved using the remote control or the web interface.



## cameradirection

Sets or gets the camera pan direction.

### Syntax

cameradi recti on <get|normal |reversed>

| Parameter | Description                                                                                                                                  |
|-----------|----------------------------------------------------------------------------------------------------------------------------------------------|
| get       | Returns the current setting.                                                                                                                 |
| normal    | Sets the direction of the camera to normal; the camera moves in the same direction as the left and right arrows on the remote control.       |
| reversed  | Sets the direction of the camera to reversed; the camera moves in the opposite direction of the left and right arrows on the remote control. |

### Feedback Examples

- cameradi recti on normal  
returns  
cameradi recti on normal
- cameradi recti on reversed  
returns  
cameradi recti on reversed
- cameradi recti on get  
returns  
cameradi recti on reversed

## camerainput

Sets or gets the format for a video source.

### Syntax

```
camerainput <1|2|3> <get|s-video|composite|component>
```

```
camerainput <4|5> <get|dvi|vga>
```

| Parameter | Description                                                                          |
|-----------|--------------------------------------------------------------------------------------|
| <1..5>    | Specifies the video source. camerainput 5 is available only on the Polycom HDX 9004. |
| get       | Returns the current setting.                                                         |
| s-video   | Specifies that the video source is connected using S-Video.                          |
| composite | Specifies that the video source is connected using a composite connector.            |
| component | Specifies that the video source is connected using a component connector.            |
| dvi       | Specifies that the video source is connected using DVI.                              |
| vga       | Specifies that the video source is connected using VGA.                              |

### Feedback Examples

- ```
camerainput 1 composite
returns
camerainput 1 component
```
- ```
camerainput 2 s-video
returns
camerainput 2 s-video
```
- ```
camerainput 2 get
returns
camerainput 2 s-video
```
- ```
camerainput 3 dvi
returns
camerainput 3 dvi
```
- ```
camerainput 4 vga
returns
camerainput 4 vga
```

chaircontrol

Sends various chair control commands while the system is in a multipoint call.

Syntax

```
chaircontrol end_conf
chaircontrol hangup_term "term_no"
chaircontrol list
chaircontrol rel_chair
chaircontrol <register|unregister>
chaircontrol req_chair
chaircontrol req_floor
chaircontrol req_term_name "term_no"
chaircontrol req_vas
chaircontrol set_broadcaster "term_no"
chaircontrol set_term_name "term_no" "term_name"
chaircontrol stop_view
chaircontrol view "term_no"
chaircontrol view_broadcaster
```

Parameter	Description
end_conf	Ends the call and returns the same feedback as hangup_term for each site in the call.
hangup_term "term_no"	Disconnects the specified site from the call.
list	Lists the sites in the call.
rel_chair	Releases the chair.
register	Registers to receive feedback on all chair control operations.
unregister	Unregisters (stops feedback on all chair control operations).
req_chair	Requests the chair.
req_floor	Requests the floor.
req_term_name "term_no"	Requests the name for the specified terminal number.
req_vas	Requests voice-activated switching.
set_broadcaster "term_no"	Requests the specified terminal to become the broadcaster.
set_term_name "term_no" "term_name"	Sets the name for the specified terminal number.

Parameter	Description
stop_view	Stops viewing the specified terminal.
view "term_no"	Views the specified terminal.
view_broadcaster	Views the broadcaster.

Feedback Examples

- chaircontrol rel_chair
returns
chaircontrol rel_chair granted
chaircontrol view 1.1 granted
- chaircontrol req_vas
returns
chaircontrol req_vas granted
chaircontrol view 1.1 granted
- chaircontrol hangup_term 1.4
returns
chaircontrol del_term 1.4
chaircontrol terminal 1.4 left conference
cleared: call [34]
dialstring[IP: 192.168.1.101 NAME: Polycom HDX Demo]
ended: call [34]

Comments

Terminal numbers are set by the MCU and are of the form x.y where x is the MCU and y is the participant.

You only need to enclose a parameter in quotes if it contains a space.

clientvalidatepeer-cert

Enables certificate validation by specifying whether the HDX system requires the server to present a valid certificate when the server makes secure connections for services such as provisioning, directory search, and session initiation protocol (SIP) calling.

Syntax

```
clientvalidatepeer-cert get  
clientvalidatepeer-cert <yes|no>
```

Parameter	Description
get	Returns the peer certificate validation setting for client.
yes	Enables the peer certificate validation requirement for client.
no	Disables the peer certificate validation requirement for client.

Feedback Examples

- clientvalidatepeer-cert get
returns
clientvalidatepeer-cert no
- clientvalidatepeer-cert yes
returns
clientvalidatepeer-cert yes

cmdecho

Turns command echoing on or off.

Syntax

cmdecho <on|off>

Parameter	Description
on	Turns on command echoing so that everything you type is echoed on the screen.
off	Turns off command echoing so that nothing you type is echoed on the screen.

Feedback Examples

- cmdecho on
returns
cmdecho on
- cmdecho off
returns
cmdecho off

Comments

This setting defaults to on every time the system powers up. You might want to turn off command echoing when sending batches of commands (in an init script) to simplify the output.

colorbar

Turns the video diagnostics color bars on or off.

Syntax

```
col orbar <on|off>
```

Parameter	Description
on	Turns on the color bar test pattern.
off	Turns off the color bar test pattern.

Feedback Examples

- col orbar on
returns
col orbar on
- col orbar off
returns
col orbar off

configchange (deprecated)

Sets or gets the notification state for configuration changes. This command has been deprecated.

Syntax

configchange <get|register|unregister>

Parameter	Description
get	Returns the current setting.
register	Registers to receive notifications when configuration variables have changed.
unregister	Unregisters to receive notifications when configuration variables have changed.

Feedback Examples

- configchange register
returns
configchange registered
- configchange unregister
returns
configchange unregistered
- configchange get
returns
configchange unregistered

configdisplay

Sets or gets the video format, aspect ratio and resolution for Monitor 1 or Monitor 2.

Syntax

```
configdisplay [<monitor1|monitor2>] get
configdisplay <monitor1|monitor2>
<component|vga|dvi|composite|s_video> <4:3|16:9>
configdisplay <monitor1|monitor2>
<component|vga|dvi|composite|s_video> <4:3|16:9> [<720p|1080i|1080p>]
[<50hz720p|60hz720p|50hz1080i|60hz1080i|50hz1080p|60hz1080p>]
configdisplay monitor2 off
```

Parameter	Description
get	Returns the current setting.
monitor1	Specifies Monitor 1.
monitor2	Specifies Monitor 2.
s_video	Sets the specified display to S-Video format.
composite	Sets the specified display to Composite format.
vga	Sets the specified display to VGA format.
dvi	Sets the specified display to DVI format.
component	Sets the specified display to Component format.
4:3	Sets the display aspect ratio to 4:3 (standard).
16:9	Sets the display aspect ratio to 16:9 (wide screen).
720p	Sets the resolution to 1280x720p, 50-60 Hz (refresh rate determined by whether unit is PAL or NTSC, respectively). For monitors with Component format and 16:9 aspect ratio only.
1080i	Sets the resolution to 1920x1080i, 50-60 Hz (refresh rate determined by whether unit is PAL or NTSC, respectively). For monitors with Component format and 16:9 aspect ratio only.
1080p	Sets the resolution to 1920x1080p, 50-60 Hz (refresh rate determined by whether unit is PAL or NTSC, respectively). For monitors with Component format and 16:9 aspect ratio only.
50hz720p	Sets the resolution to 1280x720p, 50 Hz (PAL systems-only). For monitors with Component format and 16:9 aspect ratio only.

Parameter	Description
60hz720p	Sets the resolution to 1280x720p, 60 Hz (NTSC systems-only). For DVI and VGA formats with a 16:9 aspect ratio only.
50hz1080i	Sets the resolution to 1920x1080i, 50 Hz (DVI-only, PAL systems-only). For DVI and VGA formats with a 16:9 aspect ratio only.
60hz1080i	Sets the resolution to 1920x1080i, 60 Hz (DVI-only, NTSC systems-only). For DVI and VGA formats with a 16:9 aspect ratio only.
50hz1080p	Sets the resolution to 1920x1080p, 50 Hz (PAL systems-only). For DVI and VGA formats with a 16:9 aspect ratio only.
60hz1080p	Sets the resolution to 1920x1080p, 60 Hz (NTSC systems-only). This setting is available for DVI and VGA formats with a 16:9 aspect ratio only.
off	Sets Monitor 2 to off.

Feedback Examples

- ```

confi gdi spl ay get
returns
confi gdi spl ay moni tor1 dvi 16:9 moni tor2 vga 16:9

```
- ```

confi gdi spl ay moni tor2 get
returns
confi gdi spl ay moni tor2 vga 16:9

```
- ```

confi gdi spl ay moni tor2 vga 4.3
returns
confi gdi spl ay moni tor2 vga 4.3

```
- ```

confi gdi spl ay moni tor1 dvi 16:9 60hz1080p
returns
confi gdi spl ay moni tor1 dvi 16:9 60hz1080p

```

configparam

Sets or gets the video quality setting for the specified video input for motion or sharpness.

Syntax

```
configparam <"parameter"> get
configparam <"parameter"> set <"value">
```

Parameter	Possible Values	Description
camera_videquality <1 2 3 4>	motion sharpness	Sets or gets the video quality setting for the specified video input for motion or for sharpness (for images without motion).

Feedback Examples

- ```
configparam camera_videquality 1 set motion
returns
camera1_videquality motion
```

## configpresentation

Sets or gets the content presentation settings for Monitor 1 or Monitor 2.

### Syntax

```

configpresentation get
configpresentation <monitor1|monitor2> get
configpresentation monitor1 <near|far|content|near-or-far|
content-or-near|content-or-far|all|none>
configpresentation monitor2 <near|far|content|near-or-far|
content-or-near|content-or-far|all|none>
configpresentation monitor1 "value" monitor2 "value"

```

| Parameter       | Description                                                                                      |
|-----------------|--------------------------------------------------------------------------------------------------|
| get             | Returns the current settings for the active monitors.                                            |
| monitor1        | Specifies settings for Monitor 1.                                                                |
| monitor2        | Specifies settings for Monitor 2.                                                                |
| near            | Selects near-site video as the video source to display on the specified monitor.                 |
| far             | Selects far-site video as the video source to display on the specified monitor.                  |
| content         | Selects content as the video source to display on the specified monitor.                         |
| near-or-far     | Selects both near-site and far-site video as video sources to display on the specified monitor.  |
| content-or-near | Selects both near-site video and content as video sources to display on the specified monitor.   |
| content-or-far  | Selects both content and far-site video as video sources to display on the specified monitor.    |
| all             | Selects content, near-site video, and far-site video as video sources for the specified monitor. |
| none            | Clears all video sources for the specified monitor.                                              |
| "value"         | Sets presentation mode for both monitors.                                                        |

## Feedback Examples

- `config presentation monitor1 get`  
returns  
`config presentation monitor1:all`
- `config presentation monitor2 get`  
returns  
`config presentation monitor2:near-or-far`
- `config presentation monitor2 far`  
returns  
error: configuration not applied since monitor 2 is off  
when monitor 2 is off

## confirmdiradd

Sets or gets the configuration for prompting users to add directory entries for the far sites when a call disconnects.

### Syntax

```
confi rmdi radd <get|yes|no>
```

| Parameter | Description                                                                                                                             |
|-----------|-----------------------------------------------------------------------------------------------------------------------------------------|
| get       | Returns the current setting.                                                                                                            |
| yes       | When a call disconnects, the user is prompted to create a local directory entry for the far site if it is not already in the directory. |
| no        | The user is not prompted to create a local directory entry after a call disconnects.                                                    |

### Feedback Examples

- `confi rmdi radd no`  
returns  
`confi rmdi radd no`
- `confi rmdi radd yes`  
returns  
`confi rmdi radd yes`
- `confi rmdi radd get`  
returns  
`confi rmdi radd yes`

## confirmdirdel

Sets or gets the configuration for requiring users to confirm directory deletions.

### Syntax

```
confi rmdi rdel <get|yes|no>
```

| Parameter | Description                                                                                                                       |
|-----------|-----------------------------------------------------------------------------------------------------------------------------------|
| get       | Returns the current setting.                                                                                                      |
| yes       | When deleting an entry from the directory (address book), the user is prompted with "Are you sure you want to delete this entry?" |
| no        | When deleting an entry from the directory (address book), the user is not prompted with a message.                                |

### Feedback Examples

- `confi rmdi rdel no`  
returns  
`confi rmdi rdel no`
- `confi rmdi rdel yes`  
returns  
`confi rmdi rdel yes`
- `confi rmdi rdel get`  
returns  
`confi rmdi rdel yes`

## contentauto

Sets or gets the automatic bandwidth adjustment for people and content in point-to-point H.323 calls. Automatic adjustment maintains equal image quality in the two streams.

### Syntax

contentauto <get|on|off>

| Parameter | Description                                                                                                             |
|-----------|-------------------------------------------------------------------------------------------------------------------------|
| get       | Returns the current setting.                                                                                            |
| on        | Enables automatic bandwidth adjustment for people and content.                                                          |
| off       | Disables automatic bandwidth adjustment for people and content. The system Quality Preference settings is used instead. |

### Feedback Examples

- contentauto off  
returns  
contentauto off
- contentauto on  
returns  
contentauto on
- contentauto get  
returns  
contentauto on



## contentsplash

Enables or disables the splash screen display on content monitors.

### Syntax

contentspl ash <get|yes|no>

| Parameter | Description                          |
|-----------|--------------------------------------|
| get       | Returns the current setting.         |
| yes       | Turns on the content splash screen.  |
| no        | Turns off the content splash screen. |

### Feedback Examples

- contentspl ash get  
returns  
contentspl ash yes
- contentspl ash yes  
returns  
contentspl ash yes
- contentspl ash no  
returns  
contentspl ash no

### Comments

The splash screen displays a Polycom logo on content-only displays when neither the near end nor the far end is sending content, and when the Polycom HDX system is not in sleep mode.

By default, the content splash value is set to yes.

When the content splash value is set to no, black video or no signal is sent to the monitor, depending on the screen saver output configured for the monitor.

The content splash setting is persistent across the power cycle.

### See Also

[monitor1screensaveroutput](#) command on page 4-236 and [monitor2screensaveroutput](#) command on page 4-238.

## contentvideoadjustment

Sets or gets the content video adjustment setting.

### Syntax

contentvideoadjustment <get|normal|stretch|zoom>

| Parameter | Description                                                                                                                                                                                                    |
|-----------|----------------------------------------------------------------------------------------------------------------------------------------------------------------------------------------------------------------|
| get       | Returns the current setting.                                                                                                                                                                                   |
| normal    | Preserves the aspect ratio of the source video. The image is scaled (if necessary) to the largest supported resolution that fits on the display without cropping.                                              |
| stretch   | Does not preserve aspect ratio. The image is scaled horizontally and vertically to exactly match the resolution of the display.                                                                                |
| zoom      | Preserves the aspect ratio of the source video. The image is scaled to exactly match one of the display dimensions while matching or exceeding the other display dimension. The image is centered and cropped. |

### Feedback Examples

- ```
contentvideoadjustment zoom
returns
contentvideoadjustment zoom
```
- ```
contentvideoadjustment stretch
returns
contentvideoadjustment stretch
```
- ```
contentvideoadjustment normal
returns
contentvideoadjustment normal
```
- ```
contentvideoadjustment get
returns
contentvideoadjustment normal
```

## country

Gets the country setting for the system.

### Syntax

```
country get
```

| Parameter | Description                  |
|-----------|------------------------------|
| get       | Returns the current setting. |

### Feedback Examples

- country get  
returns  
country "uni ted states"

## cts

Sets or gets the CTS serial interface control signal (clear to send) configuration. This command is only applicable if you have a V.35 network interface connected to your system.

### Syntax

```
cts <get|normal|i nverted|i gnore>
```

| Parameter | Description                                           |
|-----------|-------------------------------------------------------|
| get       | Returns the current setting.                          |
| normal    | Sets the signal to normal (high voltage is logic 1).  |
| i nverted | Sets the signal to inverted (low voltage is logic 1). |
| i gnore   | Ignores the signal.                                   |

### Feedback Examples

- cts normal  
returns  
cts normal
- cts i nverted  
returns  
cts i nverted
- cts get  
returns  
cts i nverted

### Comments

The default setting for this signal is "normal".

## daylightsavings

Sets or gets the daylight savings time setting. When you enable this setting, the system clock automatically changes for daylight saving time.

### Syntax

dayl i ghtsavi ngs <get|yes|no>

| Parameter | Description                                              |
|-----------|----------------------------------------------------------|
| get       | Returns the current setting.                             |
| yes       | Enables automatic adjustment for daylight savings time.  |
| no        | Disables automatic adjustment for daylight savings time. |

### Feedback Examples

- dayl i ghtsavi ngs no  
returns  
dayl i ghtsavi ngs no
- dayl i ghtsavi ngs yes  
returns  
dayl i ghtsavi ngs yes
- dayl i ghtsavi ngs get  
returns  
dayl i ghtsavi ngs yes

## dcd

Sets the configuration for the DCD serial interface control signal (data carrier detect). This command is only applicable if you have a V.35 network interface connected to your system.

### Syntax

```
dcd <normal | i nverted>
```

| Parameter | Description                                           |
|-----------|-------------------------------------------------------|
| normal    | Sets the signal to normal (high voltage is logic 1).  |
| i nverted | Sets the signal to inverted (low voltage is logic 1). |

### Feedback Examples

- dcd normal  
returns  
dcd normal
- dcd i nverted  
returns  
dcd i nverted

### Comments

The default setting for this signal is "normal".

## dcdfilter

Sets or gets the filter setting of the DCD serial interface control signal (data carrier detect). This command is only applicable if you have a V.35 network interface connected to your system.

### Syntax

```
dcdfi l ter <get|on|off>
```

| Parameter | Description                  |
|-----------|------------------------------|
| get       | Returns the current setting. |
| on        | Enables the DCD filter.      |
| off       | Disables the DCD filter.     |

### Feedback Examples

- dcdfi l ter on  
returns  
dcdfi l ter on
- dcdfi l ter off  
returns  
dcdfi l ter off
- dcdfi l ter get  
returns  
dcdfi l ter off

### Comments

When this filter is enabled, DCD drops for 60 seconds before changing the call state. The default setting for this signal is "off".

## defaultgateway

Sets or gets the default gateway.

### Syntax

```
default tgateway get
default tgateway set "xxx. xxx. xxx. xxx"
```

| Parameter            | Description                                                                   |
|----------------------|-------------------------------------------------------------------------------|
| get                  | Returns the default gateway IP address.                                       |
| set                  | Sets the default gateway when followed by the "xxx. xxx. xxx. xxx" parameter. |
| "xxx. xxx. xxx. xxx" | IP address to use as the default gateway.                                     |

### Feedback Examples

- default tgateway set 192.168.1.101  
returns  
default tgateway 192.168.1.101

### Comments

This setting can only be changed if DHCP is turned off. After making a change, you must restart the system for the setting to take effect.



## destunreachable tx

Sets or gets the system's ability to generate a Destination Unreachable ICMP message in response to a packet that cannot be delivered to its destination for reasons other than congestion.

### Syntax

```
destunreachabl etx <yes|no>
```

| Parameter | Description                                                                                                                                                                             |
|-----------|-----------------------------------------------------------------------------------------------------------------------------------------------------------------------------------------|
| get       | Returns the current setting.                                                                                                                                                            |
| yes       | Enables the system's ability to generate a destination unreachable ICMP message in response to a packet that cannot be delivered to its destination for reasons other than congestion.  |
| no        | Disables the system's ability to generate a destination unreachable ICMP message in response to a packet that cannot be delivered to its destination for reasons other than congestion. |

### Feedback Examples

- destunreachabl etx  
returns  
destunreachabl etx no
- destunreachabl etx yes  
returns  
destunreachabl etx yes

### Comments

This setting is applicable for both IPv4 and IPv6 configurations. After making a change, you must restart the system for the setting to take effect.

### See Also

[icmpoutpacketrates](#) on page 4-185.

## dhcp

Sets or gets DHCP options.

### Syntax

dhcp <get|off|cl i ent>

| Parameter | Description                                                                                    |
|-----------|------------------------------------------------------------------------------------------------|
| get       | Returns the selected DHCP option.                                                              |
| off       | Disables DHCP.                                                                                 |
| cl i ent  | Enables DHCP client, setting the system to obtain an IP address from a server on your network. |

### Feedback Examples

- dhcp off  
returns  
dhcp off
- dhcp cl i ent  
returns  
dhcp cl i ent
- dhcp get  
returns  
dhcp cl i ent

### Comments

After making a change, you must restart the system for the setting to take effect.

# dial

Dials video or audio calls either manually or from the directory.

## Syntax

```

di al addressbook "addr book name"
di al auto "speed" "di al str"
di al manual <56|64> "di al str1" "di al str2" [h320]
di al manual "speed" "di al str1" ["di al str2"] [h323|h320|i p|i sdn|si p]
di al phone "di al string"
di al phone <pots|i sdn_phone|si p_speakerphone> "di al string"

```

| Parameter                               | Description                                                                                                                                                                                                                                                                                                                                                                                           |
|-----------------------------------------|-------------------------------------------------------------------------------------------------------------------------------------------------------------------------------------------------------------------------------------------------------------------------------------------------------------------------------------------------------------------------------------------------------|
| addressbook                             | Dials a directory (address book) entry. Requires the name of the entry.                                                                                                                                                                                                                                                                                                                               |
| "addr book name"                        | The name of the directory (address book) entry. The name may be up to 25 characters. Use quotation marks around strings that contain spaces. For example: "John Doe".                                                                                                                                                                                                                                 |
| auto                                    | Dials a video call number dialstr1 at speed of type h323 or h320. Requires the parameters "speed" and "dialstr". Allows the user to automatically dial a number. The system first attempts H.323 and if that fails, rolls over to H.320. Deprecated. Instead of this command, Polycom recommends using di al manual and not specifying a call type.                                                   |
| "speed"                                 | Valid data rate for the network.                                                                                                                                                                                                                                                                                                                                                                      |
| "di al str", "di al str1", "di al str2" | Valid ISDN or IP directory number.                                                                                                                                                                                                                                                                                                                                                                    |
| manual                                  | Dials a video call number dialstr1 at speed of type h323 or h320. Requires the parameters "speed" and "dialstr1".<br>Use di al manual "speed" "di al str" "type" when you do not want automatic call rollover or when the dialstring might not convey the intended transport (for example, an extension with an IP gateway might look like an ISDN number, but in fact corresponds to an IP address). |
| 56 64                                   | Specifies speed for two-channel calls.                                                                                                                                                                                                                                                                                                                                                                |
| h323 h320 i p i sdn si p                | Type of call.<br>Note: The parameters i p and i sdn are deprecated.                                                                                                                                                                                                                                                                                                                                   |

| Parameter                        | Description                                                                                                                              |
|----------------------------------|------------------------------------------------------------------------------------------------------------------------------------------|
| phone                            | Dials an analog phone number.                                                                                                            |
| pots isdn_phone sip_speakerphone | Specify to dial pots, ISDN or SIP call.                                                                                                  |
| "dialstring"                     | Numeric string specifying the phone number to dial. Enclose the string in quotation marks if it includes spaces. Example: "512 555 1212" |

## Feedback Examples

- dial manual 64 5551212 h320  
 returns  
 dialing manual
- If registered for callstate notifications (callstate register), the API returns  
 cs: call[44] chan[0] dialstr[5551212] state[ALLOCATED]  
 cs: call[44] chan[0] dialstr[5551212] state[RINGING]  
 cs: call[44] chan[0] dialstr[5551212] state[CONNECTED]  
 cs: call[44] chan[0] dialstr[5551212] state[CONNECTED]  
 cs: call[44] chan[0] dialstr[5551212] state[COMPLETE]  
 cs: call[44] chan[0] dialstr[5551212] state[COMPLETE]  
 active: call[44] speed[64]
- dial addressbook "John Polycom"  
 returns  
 dialing addressbook "John Polycom"
- dial phone pots 123456  
 returns  
 dialing pots
- dial phone isdn\_phone 123456  
 returns  
 dialing isdn\_phone
- dial phone sip\_speakerphone 123456  
 returns  
 dialing sip\_speakerphone
- If registered for callstate notifications (callstate register), the API returns  
 cs: call[44] chan[0] dialstr[192.168.1.101] state[ALLOCATED]  
 cs: call[44] chan[0] dialstr[192.168.1.101] state[RINGING]  
 cs: call[44] chan[0] dialstr[192.168.1.101] state[BONDING]  
 cs: call[44] chan[0] dialstr[192.168.1.101] state[BONDING]  
 cs: call[44] chan[0] dialstr[192.168.1.101] state[COMPLETE]  
 active: call[44] speed[384]

Notes: The [BONDING] responses in IP calls are extraneous text

that will be removed in a subsequent software version.

Call ID (call [44]) is an example of the response. The Call ID number depends upon the call type.

- If registered for call status notifications (notify callstatus), the API returns,
 

```
notification: call status: outgoing: 45: null
1: : opened: : 0: videocal
notification: call status: outgoing: 45: Polycom Austin:
192.168.1.101: connecting: 384: 0: videocal
notification: call status: outgoing: 45: Polycom Austin:
192.168.1.101: connected: 384: 0: videocal
```

Note: The call ID number (45) is an example of the response. The Call ID number depends upon the call type.

## Comments

When searching for feedback from the dial command, expect to see the set of described strings as many times as there are channels in the call.

When initiating a multipoint call or adding multiple sites to a multipoint call over ISDN, you must be sure that the total call rate does not exceed the bandwidth of the ISDN interface. Otherwise, one of the calls may not connect.

For example, the total ISDN bandwidth for a T1 line is 1544 kbit/s. Thus, making the following five calls in succession violates the ISDN bandwidth rule, because the total ISDN bandwidth would require 1920 kbit/s ( $1920 = 384 * 5$ ), and one of the calls may not connect:

- dial manual 384 5551212  
dial manual 384 5561212  
dial manual 384 5571212  
dial manual 384 5581212  
dial manual 384 5591212

Similarly, making the following two calls in a multipoint call where sites 1, 2, and 3 are already connected at 256 kbits/s each violates the ISDN bandwidth rule. This is because the total ISDN bandwidth required becomes 1792 kbits/s ( $1792 = 256 * 3 + 512 * 2$ ), and one of these two new calls may not connect:

- dial manual 512 5581212  
dial manual 512 5591212

Note: The ISDN bandwidth rule is not applicable to IP calls and only applies when multiple ISDN dial commands are issued in succession without waiting for the active call notification (i.e., active: call[36] speed[128]) between dial commands. Adding single calls to a multipoint call and then waiting for the active call notification does not break the rule, because the system downspeeds calls to meet the required ISDN bandwidth limitations.

## See Also

Refer to the [callstate](#) command on page [4-62](#). You can use callstate register to obtain updated information on the status of a call. For example, when using the dial manual to place a call, callstate register can tell you when the call is connected.

## dialchannels

Sets or gets whether to dial ISDN channels in parallel. This command is only applicable if you have an ISDN network interface connected to your system.

### Syntax

```
di al channel s get
di al channel s set n
```

| Parameter | Description                                                       |
|-----------|-------------------------------------------------------------------|
| get       | Returns the current setting.                                      |
| set       | Sets the number of channels to dial.                              |
| n         | Sets the number of channels to dial. n is 8 for QBRI, 12 for PRI. |

### Feedback Examples

- di al channel s set 8  
returns  
di al channel s 8
- di al channel s get  
returns  
di al channel s 8

## diffservaudio, diffservfecc, diffservvideo

Sets or gets the DiffServ option and specifies a priority level for audio, far-end camera control (FECC) and other call control channels, and video, respectively. The priority level value for each can be between 0 and 63.

### Syntax

```
di ffservaudi o get
di ffservaudi o set {0..63}
di ffservfecc get
di ffservfecc set {0..63}
di ffservvi deo get
di ffservvi deo set {0..63}
```

| Parameter | Description                                                          |
|-----------|----------------------------------------------------------------------|
| get       | Returns the current setting.                                         |
| set       | Sets the command. A priority level in the range {0..63} is required. |
| {0..63}   | Specifies the priority level.                                        |

### Feedback Examples

- di ffservaudi o set 2  
returns  
di ffservaudi o 2
- di ffservaudi o get  
returns  
di ffservaudi o 2

### Comments

The `diffservfecc` command is equivalent to the Control setting in the user interface.

If the `typeofservice` command on page 4-331 is set to `ip-precedence` rather than `to diffserv`, these commands are not applicable.



# directory

Sets or gets whether the **Directory** button appears on the Home screen.

## Syntax

```
di rectory <get|yes|no>
```

| Parameter | Description                                               |
|-----------|-----------------------------------------------------------|
| get       | Returns the current setting.                              |
| yes       | Displays the <b>Directory</b> button on the Home screen.  |
| no        | Removes the <b>Directory</b> button from the Home screen. |

## Feedback Examples

- di rectory yes  
returns  
di rectory yes
- di rectory no  
returns  
di rectory no
- di rectory get  
returns  
di rectory no

## display (deprecated)

Displays information about the current call or the system. With the implementation of the [callinfo](#) command on page 4-61 and [whoami](#) command on page 4-367, this command has been deprecated.

### Syntax

```
display call
display whoami
```

| Parameter | Description                                                                                                                      |
|-----------|----------------------------------------------------------------------------------------------------------------------------------|
| call      | Displays the following information about the current call: call ID, status, speed, the number to which this system is connected. |
| whoami    | Returns information about the current system.                                                                                    |

### Feedback Examples

- ```
display call
returns
Call ID Status SpeedDialed Num
-----
34CM_CALLINFO_CONNECTED 384192.168.1.101
```
- ```
display whoami
returns
Hi, my name is: Polycom HDX Demo
Here is what I know about myself:
Model: HDX9004
Serial Number: 82065205E72EC1
Software Version: Release 2.5 - 30Nov2008 11:30
Build Information: root on domain.polycom.com
FPGA Revision: 4.3.0
Main Processor: BSP15
Time In Last Call: 0:43:50
Total Time In Calls: 87:17:17
Total Calls: 819
SNTP Time Service: auto insync ntp1.polycom.com
Local Time is: Wed, 30 Nov 2008
Network Interface: NONE
IP Video Number: 192.168.1.101
ISDN Video Number: 7005551212
MP Enabled: True
H.323 Enabled: True
```

FTP Enabled: True  
HTTP Enabled: True  
SNMP Enabled: True

## displayglobaladdresses

Sets or gets the display of global addresses in the global directory.

### Syntax

di spl aygl obal addresses <get|yes|no>

| Parameter | Description                               |
|-----------|-------------------------------------------|
| get       | Returns the current setting.              |
| yes       | Enables the display of global addresses.  |
| no        | Disables the display of global addresses. |

### Feedback Examples

- di spl aygl obal addresses yes  
returns  
di spl aygl obal addresses yes
- di spl aygl obal addresses no  
returns  
di spl aygl obal addresses no
- di spl aygl obal addresses get  
returns  
di spl aygl obal addresses no

# displaygraphics

Sets or gets the display of graphic icons while in a call.

## Syntax

```
di spl aygraphi cs <get|yes|no>
```

| Parameter | Description                            |
|-----------|----------------------------------------|
| get       | Returns the current setting.           |
| yes       | Enables the display of graphic icons.  |
| no        | Disables the display of graphic icons. |

## Feedback Examples

- di spl aygraphi cs yes  
returns  
di spl aygraphi cs yes
- di spl aygraphi cs no  
returns  
di spl aygraphi cs no
- di spl aygraphi cs get  
returns  
di spl aygraphi cs no

## displayipext

Sets or gets the display of the IP extension field. This extension is needed when placing a call through a gateway.

### Syntax

```
di spl ayi pext <get|yes|no>
```

| Parameter | Description                              |
|-----------|------------------------------------------|
| get       | Returns the current setting.             |
| yes       | Enables the display of the IP extension. |
| no        | Enables the display of the IP extension. |

### Feedback Examples

- di spl ayi pext yes  
returns  
di spl ayi pext yes
- di spl ayi pext no  
returns  
di spl ayi pext no
- di spl ayi pext get  
returns  
di spl ayi pext no

### Comments

When this option is selected, the extension field is visible on the Home screen.

## displayipisdninfo (deprecated)

Sets or gets the display of IP and ISDN information on the Home screen. This command has been deprecated. Polycom recommends using the [ipisdninfo](#) command on page 4-196.

### Syntax

```
di spl ayi pi sdni nfo <yes|no|both|i p-onl y|i sdn-onl y|none|get>
```

| Parameter   | Description                                                                  |
|-------------|------------------------------------------------------------------------------|
| yes         | Enables the display of both IP and ISDN information. Provides feedback both. |
| no          | Disables the display of IP and ISDN information. Provides feedback none.     |
| both        | Enables the display of both IP and ISDN information.                         |
| i p-onl y   | Enables the display of IP information.                                       |
| i sdn-onl y | Enables the display of ISDN information.                                     |
| none        | Disables the display of IP and ISDN information.                             |
| get         | Returns the current setting.                                                 |

### Feedback Examples

- ```
di spl ayi pi sdni nfo yes
returns
di spl ayi pi sdni nfo both
```
- ```
di spl ayi pi sdni nfo no
returns
di spl ayi pi sdni nfo none
```
- ```
di spl ayi pi sdni nfo ip-only
returns
di spl ayi pi sdni nfo ip-only
```
- ```
di spl ayi pi sdni nfo get
returns
di spl ayi pi sdni nfo ip-only
```

## displayparams

Outputs a list of system settings.

### Syntax

```
displayparams
```

### Feedback Examples

- ```
displayparams
returns
systemname Polycom HDX Demo
hostname <empty>
ipaddress 192.168.1.101
version "2.5"
serialnum 82065205E72EC1
displaygraphics no
vgaresolution 60hz1280x720
vgaphase 32
numberofmonitors 2
monitor1 16:9
monitor2 16:9
vgahorizpos 128
vgavertpos 128
cameradirection normal
farcontrolnearcamera yes
primarycamera 1
backlightcompensation no
telccountrycode <empty>
telcarecode <empty>
telnumber <empty>
roomphonenumber <empty>
echocancelled no
echocancelledwhite no
muteautoanswer yes
vcraudioout no
vcrrecordsource content-or-auto
redlineinput vcr
whitelineinput vcr
redlinelevel 5
whitelinelevel 5
lineoutputs monitor
lineoutputslevel 5
mpmode auto
sleeptime 1
sleepertext <empty>
rs232 mode camera_ptz
```



```
rs232 baud 9600  
rs232port1 mode camera_ptz  
rs232port1 baud 9600
```

dns

Sets or gets the configuration for up to four DNS servers.

Syntax

```
dns get {1..4}
dns set {1..4} "xxx.xxx.xxx.xxx"
```

Parameter	Description
get	Returns the current IP address of the specified server. A server identification number {1..4} is required.
{1..4}	Specifies the server identification number.
set	Sets the IP address of the specified DNS server when followed by the "xxx.xxx.xxx.xxx" parameter. A server identification number {1..4} is required.
"xxx.xxx.xxx.xxx"	Specifies the IP address for the specified server.

Feedback Examples

- dns set 1 192.168.1.205
returns
dns 1 192.168.1.205

Comments

After making a change, you must restart the system for the setting to take effect. These values cannot be set if the system is in DHCP client mode.

dsr

Sets or gets the configuration of the DSR serial interface control signal (data set ready). This command is only applicable if you have a V.35 network interface connected to your system.

Syntax

```
dsr <get|normal|i nverted>
```

Parameter	Description
get	Returns the current setting.
normal	Sets the signal to normal (high voltage is logic 1).
i nverted	Sets the signal to inverted (low voltage is logic 1).

Feedback Examples

- dsr normal
returns
dsr normal
- dsr i nverted
returns
dsr i nverted
- dsr get
returns
dsr i nverted

Comments

The default setting for this signal is "normal".

dsranswer

Sets or gets the configuration of the DSR serial interface control signal to indicate an incoming call. This command is only applicable if you have a V.35 network interface connected to your system.

Syntax

dsranswer <get|on|off>

Parameter	Description
get	Returns the current setting.
on	Turns on the option.
off	Turns off the option.

Feedback Examples

- dsranswer on
returns
dsranswer on
- dsranswer off
returns
dsranswer off
- dsranswer get
returns
dsranswer off

dtr

Sets or gets the configuration of the DTR serial interface control signal (data terminal ready). This command is only applicable if you have a V.35 network interface connected to your system.

Syntax

```
dtr <get|normal|i nverted|on>
```

Parameter	Description
get	Returns the current setting.
normal	Sets the signal to normal (high voltage is logic 1).
i nverted	Sets the signal to inverted (low voltage is logic 1).
on	Sets constant high voltage. If this option is selected, i nverted is not an option.

Feedback Examples

- dtr normal
returns
dtr normal
- dtr i nverted
returns
dtr i nverted
- dtr on
returns
dtr on
- dtr get
returns
dtr on

Comments

The default setting for the signal is "normal".

dualmonitor

Sets or gets whether video is displayed using dual monitor emulation, or split-screen mode, when using one monitor.

Syntax

dual monitor <get|yes|no>

Parameter	Description
get	Returns the current setting.
yes	Enables dual monitor emulation.
no	Disables dual monitor emulation.

Feedback Examples

- dual monitor yes
returns
dual monitor yes
- dual monitor no
returns
dual monitor no
- dual monitor get
returns
dual monitor no

dynamicbandwidth

Sets or gets the use of dynamic bandwidth allocation for Quality of Service.

Syntax

```
dynami cbandwi dth <get|yes|no>
```

Parameter	Description
get	Returns the current setting.
yes	Enables the dynamic bandwidth option.
no	Disables the dynamic bandwidth option.

Feedback Examples

- `dynami cbandwi dth yes`
returns
`dynami cbandwi dth yes`
- `dynami cbandwi dth no`
returns
`dynami cbandwi dth no`
- `dynami cbandwi dth get`
returns
`dynami cbandwi dth no`

Comments

The system's dynamic bandwidth function automatically finds the optimum line speed for a call. If you experience excessive packet loss while in a call, the dynamic bandwidth function decrements the line speed until there is no packet loss. This is supported in calls with end points that also support dynamic bandwidth.

e164ext

Sets or gets an H.323 (IP) extension, also known as an E.164 name.

Syntax

```
e164ext get
e164ext set "e.164name"
```

Parameter	Description
get	Returns the current setting.
set	Sets the E.164 extension when followed by the "e.164name" parameter. To erase the current setting, omit "e.164name".
"e.164name"	A valid E.164 extension (usually a four-digit number).

Feedback Examples

- e164ext set
returns
e164ext <empty>
- e164ext set 7878
returns
e164ext 7878
- e164ext get 7878
returns
e164ext 7878

Comments

The extension number is associated with a specific LAN device.

echo

Prints "string" back to the API client screen.

Syntax

```
echo "string"
```

Parameter	Description
"string"	Text to be printed to the screen.

Feedback Examples

- echo End of abk range results
returns
End of abk range results

Comments

Certain API commands print multiple lines without any delimiter string to notify end of command response. This forces a control panel program to guess when the command's response string is going to end. In those scenarios, control panel can issue the legacy command followed by echo command with a delimiter string of its choosing. Once legacy command's response ends, echo command gets processed, which results in the delimiter string printed to the API client.

echocanceller

Sets or gets the configuration of echo cancellation, which prevents users from hearing their voices loop back from the far site.

Syntax

echocancel l er <get|yes|no>

Parameter	Description
get	Returns the current setting.
yes	Enables the echo canceller option.
no	Disables the echo canceller option.

Feedback Examples

- echocancel l er yes
returns
echocancel l erred yes
echocancel l erwhi te yes
- echocancel l er no
returns
echocancel l erred no
echocancel l erwhi te no
- echocancel l er get
returns
echocancel l erred no
echocancel l erwhi te no

Comments

This option is enabled by default. Polycom strongly recommends that you do not turn off echo cancellation except when using an external microphone system with its own built-in echo cancellation.

echoreply

Sets or gets the system's ability to send an Echo Reply message in response to an Echo Request message sent to an IPv6 multicast/anycast address.

Syntax

```
echoreply <get|yes|no>
```

Parameter	Description
get	Returns the current setting.
yes	Enables the echo reply option.
no	Disables the echo reply option.

Feedback Examples

- echoreply get
returns
echoreply yes
- echoreply no
returns
echoreply no

Comments

This setting is applicable for both IPv4 and IPv6 configurations. The number of responses may be traffic-conditioned to limit the effect of a denial of service attack.

After making a change, you must restart the system for the setting to take effect.

enablefirewalltraversal

Sets or gets the **Enable H.460 Firewall Traversal** setting. This feature requires an Edgewater session border controller that supports H.460.

Syntax

```
enabl efi rewal l traversal <get |on|off>
```

Parameter	Description
get	Returns the current setting.
on	Enables the firewall traversal feature.
off	Disables the firewall traversal feature.

Feedback Examples

- enabl efi rewal l traversal on
returns
enabl efi rewal l traversal on
- enabl efi rewal l traversal off
returns
enabl efi rewal l traversal off
- enabl efi rewal l traversal get
returns
enabl efi rewal l traversal off

enablekeyboardnoisereduction

Sets or gets the **Enable Keyboard Noise Reduction** setting.

Syntax

enabl ekeyboardnoi sereducti on <get|yes|no>

Parameter	Description
get	Returns the current setting.
yes	Enables keyboard noise reduction.
no	Disables keyboard noise reduction.

Feedback Examples

- enabl ekeyboardnoi sereducti on yes
returns
enabl ekeyboardnoi sereducti on yes
- enabl ekeyboardnoi sereducti on no
returns
enabl ekeyboardnoi sereducti on no
- enabl ekeyboardnoi sereducti on get
returns
enabl ekeyboardnoi sereducti on no

enablelivemusicmode

Sets or gets the **Enable Live Music Mode** setting.

Syntax

```
enabl el i vemusi cmode <get|yes|no>
```

Parameter	Description
get	Returns the current setting.
yes	Enables live music mode.
no	Disables live music mode.

Feedback Examples

- enabl el i vemusi cmode yes
returns
enabl el i vemusi cmode yes
- enabl el i vemusi cmode no
returns
enabl el i vemusi cmode no
- enabl el i vemusi cmode get
returns
enabl el i vemusi cmode no

enablepvec

Sets or gets the Polycom Video Error Concealment (PVEC) setting on the system.

Syntax

```
enabl epvec <get|yes|no>
```

Parameter	Description
get	Returns the current setting.
yes	Enables the PVEC option.
no	Disables the PVEC option.

Feedback Examples

- enabl epvec yes
returns
enabl epvec yes
- enabl epvec no
returns
enabl epvec no
- enabl epvec get
returns
enabl epvec no

Comments

This option is enabled by default.

enablersvp

Sets or gets the RSVP (Resource Reservation Setup Protocol) setting on the system, which requests that routers reserve bandwidth along an IP connection path.

Syntax

```
enabl ersvp <get|yes|no>
```

Parameter	Description
get	Returns the current setting.
yes	Enables the RSVP option.
no	Disables the RSVP option.

Feedback Examples

- enabl ersvp yes
returns
enabl ersvp yes
- enabl ersvp no
returns
enabl ersvp no
- enabl ersvp get
returns
enabl ersvp no

Comments

This option is enabled by default.

enablesnmp

Sets or gets the SNMP configuration.

Syntax

```
enabl esnmp <get|yes|no>
```

Parameter	Description
get	Returns the current setting.
yes	Enables the SNMP option.
no	Disables the SNMP option.

Feedback Examples

- enabl esnmp yes
returns
enabl esnmp yes
- enabl esnmp no
returns
enabl esnmp no
- enabl esnmp get
returns
enabl esnmp no

Comments

After making a change, you must restart the system for the setting to take effect.

encryption

Sets or gets the AES encryption mode for the system.

Syntax

encryption <get|yes|no|requiredvideoonly|requiredalls>

Parameter	Description
get	Returns the current setting.
yes	Use encryption when the far site is capable of encryption. Note: This parameter is called "When Available" in the user interface.
no	Disables encryption. Note: This parameter is called "Off" in the user interface.
requiredvideoonly	Enforces encryption on all video endpoints. Any video calls to or from systems that do not have encryption enabled are not connected. Audio-only calls are connected.
requiredalls	Enforces encryption on all endpoints. Any video or audio calls to or from systems that do not have encryption enabled are rejected and are not connected.

Feedback Examples

- encryption yes
returns
encryption yes
- encryption no
returns
encryption no
- encryption get
returns
encryption no
- encryption requiredvideoonly
returns
encryption requiredvideoonly
- encryption requiredalls
returns
encryption requiredalls

Comments

You cannot use this command while a call is in progress. Using this command while the system is in a call returns an “error: command has illegal parameters” message.

exit

Ends the API command session.

Syntax

exi t

Feedback Examples

- exi t
returns
Connection to host lost.

Comments

This command ends a Telnet session. For serial sessions, this command effectively starts a new session.

exportdirectory

Exports a directory in XML format.

Syntax

```
exportdirectory
```

Feedback Example

```
exportdirectory
```

```
returns
```

```
exportdirectory started
```

```
<?xml version="1.0" encoding="UTF-8" ?>
```

```
<addresses>
```

```
<entrytype type="entry" name="Polycom Austin USA IP"
file="Polycom_Austin_USA_IP.abk"
uniqueid="Polycom_Austin_USA_IP.abk">
```

```
<address filename="Polycom_Austin_USA_IP.abk" language=""
displayname="" name="Polycom Austin USA IP">
```

```
<h323 address="l obby. austin. polycom. com" speed="256"/>
```

```
</address>
```

```
</entrytype>
```

```
<entrytype type="entry" name="Polycom Hong Kong"
file="Polycom_Hong_Kong.abk"
uniqueid="Polycom_Hong_Kong.abk">
```

```
<address filename="Polycom_Hong_Kong.abk" language=""
displayname="" name="Polycom Hong Kong">
```

```
<isdn country_code="852" area_code="2876" numberA="9466"
numberB="9466" speed="2x64"/>
```

```
</address>
```

```
</addresses>
```

```
</xml >
```

```
exportdirectory done
```

Comments

When importing directory data back into the system, use the data in its entirety (not edited in any form). There is information that is used by the system to determine what type (XML or CSV) of data is being imported.

`exportdirectory` done as the last line of returned data indicates that all directory data has been exported.

Do not use `exportdirectory` to interpret the data that is returned. Simply store and use the data as input to the `importdirectory` command or `importdirectory` utility in the web interface. The format of the exported directory data might change in future software releases and any application attempting to interpret the data could find its ability to do so compromised in later releases of Polycom HDX software.

Additional Usage Notes:

- Polycom HDX systems running software version 2.6 or later can import directory data exported from systems running 2.6 and earlier versions.
- Polycom HDX systems running software versions earlier than 2.6 cannot import directory data exported by systems running software version 2.6 or later.

See Also

[importdirectory](#) command on page 4-187.

exportprofile

Exports system and user profile information in a CSV format. The output is available through a telnet or serial port connection.

Syntax

```
exportprofile
```

Feedback Example

```
exportprofile started
h323name, s8w
hdaccelerator, BrutusT
avayaenabled, ""
systemsoftwareversion_prev, 2. 6. 0
ipmaxincoming, 4096
speakervolume, 25
sysname, s8w
speedstranslated, Auto-128-256-384-512-768-1024-1472-1920-4096
directoryinfoupdated, True
pwcreateiteminremoteuser0, 0
. . . .
buildmodel, ROOSEVELT
homebutton, MAKEACALL
dialnumberext, ""
mp8enabled, ""
lastloginfromadmin, Local
timezone, CST
presence, AVAILABLE
profilechecksum, 16813327827
exportprofile done
```

Comments

When importing profile data back into the system, use the data in its entirety (not edited in any form). The system may use the checksum utility to verify of integrity of the data when imported back into the system.

`exportprofile done` as the last line of returned data indicates that all the profile data has been exported.

Do not use `exportprofile` to interpret the data that is returned. Simply store and use the data as input to the `importprofile` command or import profile utility in the web interface. The format of the exported data might change in future software releases and any application attempting to interpret the data could find its ability to do so compromised in later releases of Polycom HDX software.

See Also

[importprofile](#) command on page [4-190](#).

farcontrolnearcamera

Sets or gets far control of the near camera, which allows far sites to control the camera on your system.

Syntax

```
farcontrol nearcamera <get|yes|no>
```

Parameter	Description
get	Returns the current setting.
yes	Allows the far site to control the near camera if the far site has this capability.
no	Disables far control of the near camera.

Feedback Examples

- farcontrol nearcamera yes
returns
farcontrol nearcamera yes
- farcontrol nearcamera no
returns
farcontrol nearcamera no
- farcontrol nearcamera get
returns
farcontrol nearcamera no

farnametimedisplay

Sets or gets the length of time the far-site name is displayed on the system.

Syntax

```
farnameti medi spl ay off
farnameti medi spl ay <get | on | 15 | 30 | 60 | 120>
```

Parameter	Description
off	Disables the far site name display.
get	Returns the current setting.
on	Displays the far site name for the duration of the call.
15 30 60 120	Specifies the number of seconds to display the far site name at the beginning of a call.

Feedback Examples

- ```
farnameti medi spl ay off
returns
farnameti medi spl ay off
```
- ```
farnameti medi spl ay on
returns
farnameti medi spl ay on
```
- ```
farnameti medi spl ay 60
returns
farnameti medi spl ay 60
```
- ```
farnameti medi spl ay get
returns
farnameti medi spl ay 60
```

flash

Flashes the analog phone call.

Syntax

```
flash ["callid"]
```

```
flash ["callid"] ["duration"]
```

Parameter	Description
callid	Specifies the callid to flash.
duration	Specifies the pulse duration in ms.

Feedback Examples

- flash 34 5
returns
flash 34 5
and flashes callid 34 for 5 ms

See Also

You can also use the [phone](#) command on page [4-265](#) to flash an analog phone line.

gabk (deprecated)

Returns global directory (address book) entries. This command has been deprecated. Polycom recommends using the [gaddrbook](#) command on page 4-141.

Syntax

```
gabk all
gabk batch {0..59}
gabk batch define "start_no" "stop_no"
gabk batch search "pattern" "count"
gabk letter {a..z}
gabk range "start_no" "stop_no"
gabk refresh
```

Parameter	Description
all	Returns all entries in the global directory.
batch	Returns a batch of 20 global directory entries. Requires a batch number, which must be an integer in the range {0..59}.
define	Returns a batch of entries in the range defined by "start_no" to "stop_no." Polycom recommends using <code>gabk range</code> instead of this command.
"start_no"	Specifies the beginning of the range of entries to return.
"stop_no"	Specifies the end of the range of entries to return.
search	Specifies a batch search.
"pattern"	Specifies pattern to match for the batch search.
"count"	Specifies the number of entries to list that match the pattern.
letter	Returns entries beginning with the letter specified from the range {a..z}. Requires one or two alphanumeric characters. Valid characters are: - _ / ; @ , . \ 0 through 9, a through z
range	Returns global directory entries from "start_no" through "stop_no". Requires two integers.
refresh	Gets a more current copy of the global directory.

Feedback Example

- `gabk all`
returns
 "Polycom HDX Demo 1" i sdnsdpd: 384 i sdnum: 1. 700. 5551212
 i sdnxt:
 "Polycom HDX Demo 2" i sdnsdpd: 2x64 i sdnum: 1. 700. 5552323
 i sdnxt:
 "Polycom HDX Demo 3" i psdpd: 384 i pnun: 192. 168. 1. 101 i pxt: 7878
 "Polycom HDX Demo 4" i sdnsdpd: 384 i sdnum: 1. 700. 5553434
 i sdnxt:
 (and so on, until all entries in the local directory are
 listed, then:)
`gabk all done`
- `gabk batch 0`
returns
 "Polycom HDX Demo 1" i sdnsdpd: 384 i sdnum: 1. 700. 5551212
 i sdnxt:
 "Polycom HDX Demo 2" i sdnsdpd: 2x64 i sdnum: 1. 700. 5552323
 i sdnxt:
 "Polycom HDX Demo 3" i psdpd: 384 i pnun: 192. 168. 1. 101 i pxt: 7878
 "Polycom HDX Demo 4" i sdnsdpd: 384 i sdnum: 1. 700. 5553434
 i sdnxt:
 (and so on, through the last entry in the batch of 20
 directory entries, such as:)
 "Polycom HDX Demo 20" i psdpd: 128 i pnun: 192. 168. 1. 102
 i pxt: 7787878
`gabk batch 0 done`
- `gabk batch define 1 2`
returns
 "Polycom HDX Demo 1" i sdnsdpd: 384 i sdnum: 1. 700. 5551212
 i sdnxt:
 "Polycom HDX Demo 2" i sdnsdpd: 2x64 i sdnum: 1. 700. 5552323
 i sdnxt:
`gabk batch define 1 2 done`
- `gabk batch search Polycom 2`
returns
 "Polycom HDX Demo 1" i sdnsdpd: 384 i sdnum: 1. 700. 5551212
 i sdnxt:
 "Polycom HDX Demo 2" i sdnsdpd: 2x64 i sdnum: 1. 700. 5552323
 i sdnxt:
`gabk batch search Polycom 2 done`
- `gabk letter p`
returns
 "Polycom HDX Demo 1" i sdnsdpd: 384 i sdnum: 1. 700. 5551212
 i sdnxt:
 "Polycom HDX Demo 2" i sdnsdpd: 2x64 i sdnum: 1. 700. 5552323
 i sdnxt:

```
"Polycom HDX Demo 3" i pspd: 384 i pnum: 192.168.1.101 i pext: 7878
"Polycom HDX Demo 4" i sdns pd: 384 i sdnnum: 1.700.5553434
i sdnnext:
(and so on, to include all entries in the batch that begin
with p, then:)
gabk letter p done
```

- gabk range 1 2
returns
"Polycom HDX Demo 1" i sdns pd: 384 i sdnnum: 1.700.5551212
i sdnnext:
"Polycom HDX Demo 2" i sdns pd: 2x64 i sdnnum: 1.700.5552323
i sdnnext:
gabk range 1 2 done

Comments

When the system is registered with the LDAP directory server, all gabk commands return the response, command not supported.

gabk entries are entries stored in the global directory. In the user interface, the address book and global address book features are referred to as the *global directory*.

See Also

To return local directory entries, use the [abk \(deprecated\)](#) command on page 4-9.

gabpassword

Sets the password to gain access to the Global Directory Server.

Syntax

```
gabpassword set ["password"]
```

Parameter	Description
set	Sets the GDS password to "password". To erase the current setting, omit "password".
"password"	Password to access the GDS server. Valid characters are: a through z (lower and uppercase), -, _, @, /, ;, ,, ., \, 0 through 9. Enclose the string in quotation marks if it includes spaces.

Feedback Examples

- gabpassword set gabpass
returns
gabpassword gabpass



This command might not return the current password in correct case-sensitive format.

Comments

This command cannot be used unless the Remote Access password in the user interface has been set.

gabserverip

Sets or gets the IP address of the Global Directory Server.

Syntax

```
gabserverip <get|set>
```

Parameter	Description
get	Returns the current setting.
set	Sets the GDS server's IP address when followed by the parameter "xxx. xxx. xxx. xxx". To erase the current setting, omit the "xxx. xxx. xxx. xxx" parameter.

Feedback Examples

- gabserverip set
returns
gabserverip <empty>
- gabserverip set gab. pol ycom. com
returns
gabserverip gab. pol ycom. com
- gabserverip get
returns
gabserverip gab. pol ycom. com

gaddrbook

Returns global directory (address book) entries.

Syntax

```
gaddrbook all
gaddrbook batch {0..59}
gaddrbook batch define "start_no" "stop_no"
gaddrbook batch search "pattern" "count"
gaddrbook letter {a..z}
gaddrbook range "start_no" "stop_no"
gaddrbook refresh
```

Parameter	Description
all	Returns all the entries in the global directory.
batch	Returns a batch of 20 global directory entries. Requires a batch number, which must be an integer in the range {0..59}.
define	Returns a batch of entries in the range defined by "start_no" to "stop_no."
search	Specifies a batch search.
"pattern"	Specifies a pattern to match for the batch search.
"count"	Specifies the number of entries to list that match the pattern.
letter	Returns entries beginning with the letter specified from the range {a..z}. Requires one or two alphanumeric characters. Valid characters are: - _ / ; @ , . \ 0 through 9 a through z
range	Returns global directory entries numbered "start_no" through "stop_no". Requires two integers.
"start_no"	Specifies the beginning of the range of entries to return.
"stop_no"	Specifies the end of the range of entries to return.
refresh	Gets a more current copy of the global directory.

Feedback Examples

- gaddrbook all
returns
gaddrbook 0. "Polycom HDX Demo 1" isdn_spd: 384

```
i sdn_num: 1. 700. 5551212 i sdn_ext:
gaddrbook 1. "Polycom HDX Demo 2" h323_spd: 384
h323_num: 192. 168. 1. 101 h323_ext: 7878
gaddrbook 2. "Polycom HDX Demo 3" si p_spd: 384
si p_num: pol ycomhdx@pol ycom. com
gaddrbook 3. "Polycom HDX Demo 3" phone_num: 1. 512. 5121212
(and so on, until all entries in the global directory are
listed, then:)
gaddrbook all done
```

- gaddrbook batch 0
 - returns
 - gaddrbook 0. "Polycom HDX Demo 1" i sdn_spd: 384
 - i sdn_num: 1. 700. 5551212 i sdn_ext:
 - gaddrbook 1. "Polycom HDX Demo 2" h323_spd: 384
 - h323_num: 192. 168. 1. 101 h323_ext: 7878
 - gaddrbook 2. "Polycom HDX Demo 3" si p_spd: 384
 - si p_num: pol ycomhdx@pol ycom. com
 - gaddrbook 3. "Polycom HDX Demo 3" phone_num: 1. 512. 5121212
 (and so on, through the last entry in the batch of 20
 di rectory entries, such as:)
 - gaddrbook 19. "Polycom HDX Demo 20" h323_spd: 384
 - h323_num: 192. 168. 1. 120 h323_ext:
 - gaddrbook batch 0 done
- gaddrbook batch defi ne 0 2
 - returns
 - gaddrbook 0. "Polycom HDX Demo 1" i sdn_spd: 384
 - i sdn_num: 1. 700. 5551212 i sdn_ext:
 - gaddrbook 1. "Polycom HDX Demo 2" h323_spd: 384
 - h323_num: 192. 168. 1. 101 h323_ext: 7878
 - gaddrbook 2. "Polycom HDX Demo 3" si p_spd: 384
 - si p_num: pol ycomhdx@pol ycom. com
 - gaddrbook batch defi ne 0 2 done
- gaddrbook batch search Polycom 3
 - returns
 - gaddrbook 0. "Polycom HDX Demo 1" i sdn_spd: 384
 - i sdn_num: 1. 700. 5551212 i sdn_ext:
 - gaddrbook 1. "Polycom HDX Demo 2" h323_spd: 384
 - h323_num: 192. 168. 1. 101 h323_ext: 7878
 - gaddrbook 2. "Polycom HDX Demo 3" si p_spd: 384
 - si p_num: pol ycomhdx@pol ycom. com
 - gaddrbook batch search Polycom 3 done
- gaddrbook letter p
 - returns
 - gaddrbook 0. "Polycom HDX Demo 1" i sdn_spd: 384
 - i sdn_num: 1. 700. 5551212 i sdn_ext:
 - gaddrbook 1. "Polycom HDX Demo 2" h323_spd: 384
 - h323_num: 192. 168. 1. 101 h323_ext: 7878
 - gaddrbook 2. "Polycom HDX Demo 3" si p_spd: 384

```

si p_num: pol ycomhdx@pol ycom. com
gaddrbook 3. "Pol ycom HDX Demo 3" phone_num: 1. 512. 5121212
gaddrbook 19. "Pol ycom HDX Demo 20" h323_spd: 384
h323_num: 192. 168. 1. 120 h323_ext:
gaddrbook letter p done

```

- gaddrbook range 0 2
returns
gaddrbook 0. "Pol ycom HDX Demo 1" isdn_spd: 384
isdn_num: 1. 700. 5551212 isdn_ext:
gaddrbook 1. "Pol ycom HDX Demo 2" h323_spd: 384
h323_num: 192. 168. 1. 101 h323_ext: 7878
gaddrbook 2. "Pol ycom HDX Demo 3" si p_spd: 384
si p_num: pol ycomhdx@pol ycom. com
gaddrbook range 0 2 done

Comments

Entries with multiple addresses (for example, an H.323 address and an ISDN number) return each address type on separate lines with an incremented record number.

When the system is registered with the LDAP directory server, only the gaddrbook batch search "pattern" "count" is supported. All other gaddrbook commands return the response, command not supported.

When the system is registered with the Polycom GDS directory server, all of the gaddrbook commands and parameters are supported.

gaddrbook entries are stored in the global directory (address book).

gatekeeperip

Sets or gets the IP address of the gatekeeper.

Syntax

```
gatekeeperip get  
gatekeeperip set ["xxx.xxx.xxx.xxx"]
```

Parameter	Description
get	Returns the current setting.
set	Sets the gatekeeper IP address when followed by the "xxx.xxx.xxx.xxx" parameter. To erase the current setting, omit "xxx.xxx.xxx.xxx".
"xxx.xxx.xxx.xxx"	IP address of the gatekeeper.

Feedback Examples

- gatekeeperip set 192.168.1.205
returns
gatekeeperip 192.168.1.205
- gatekeeperip get
returns
gatekeeperip 192.168.1.205

Note: The gatekeeperip get command feedback may include the port number after the IP address.

gatewayareacode

Sets or gets the gateway area code.

Syntax

```
gatewayareacode get
gatewayareacode set ["areacode"]
```

Parameter	Description
get	Returns the area code for the gateway.
set	Sets the area code when followed by the "areacode" parameter. To erase the current setting, omit "areacode".
"areacode"	Numeric string specifying the area code.

Feedback Examples

- gatewayareacode get
returns
gatewayareacode <empty>
- gatewayareacode set 512
returns
gatewayareacode 512
- gatewayareacode get
returns
gatewayareacode 512

gatewaycountrycode

Sets or gets the gateway country code.

Syntax

```
gatewaycountrycode get  
gatewaycountrycode set [ "countrycode" ]
```

Parameter	Description
get	Returns the current setting.
set	Sets the gateway country code when followed by the "countrycode" parameter. To erase the current setting, omit "countrycode".
"countrycode"	Numeric string specifying the gateway country code.

Feedback Examples

- gatewaycountrycode set 1
returns
gatewaycountrycode 1
- gatewaycountrycode get
returns
gatewaycountrycode 1

gatewayext

Sets or gets the gateway extension number.

Syntax

```
gatewayext get
gatewayext set ["extension"]
```

Parameter	Description
get	Returns the current setting.
set	Sets the gateway extension number when followed by the "extension" parameter. To reset the default value, omit "extension".
"extension"	Numeric string specifying the gateway extension.

Feedback Examples

- gatewayext set 59715
returns
gatewayext 59715
- gatewayext get
returns
gatewayext 59715

gatewaynumber

Sets or gets the gateway number.

Syntax

```
gatewaynumber get  
gatewaynumber set [ "number" ]
```

Parameter	Description
get	Returns the current setting.
set	Sets the gateway number when followed by the "number" parameter. To erase the current setting, omit "number".
"number"	Numeric string specifying the gateway number.

Feedback Examples

- gatewaynumber set 5551212
returns
gatewaynumber 5551212
- gatewaynumber get
returns
gatewaynumber 5551212

gatewaynumbertype

Sets or gets the Gateway Number Type, which can be either Direct Inward Dial (DID) or Number+Extension.

Syntax

```
gatewaynumbertype <get|di d|number+extensi on>
```

Parameter	Description
get	Returns the current setting.
di d	Indicates that the gateway number is a direct inward dial number; it has no extension.
number+extensi on	Indicates that the gateway number includes an extension. This option allows the call to go through directly (it dials the Gateway Number + ## + Extension as one number).

Feedback Examples

- gatewaynumbertype di d
returns
gatewaynumbertype di rect_i nward_di al
- gatewaynumbertype number+extensi on
returns
gatewaynumbertype number_pl us_extensi on
- gatewaynumbertype get
returns
gatewaynumbertype number_pl us_extensi on

gatewayprefix

Sets or gets the gateway prefixes for the corresponding speeds.

Syntax

```
gatewayprefix get "valid speed"
gatewayprefix set "valid speed" ["value"]
```

Parameter	Description
get	When followed by the "valid speed" parameter, returns the current value for this speed.
"valid speed"	Valid speeds are: 56, 64, 2x56, 112, 2x64, 128, 168, 192, 224, 256, 280, 320, 336, 384, 392, 7x64, 8x56, 504, 512, 560, 576, 616, 640, 672, 704, 728, 768, 784, 832, 840, 16x56, 14x64, 952, 960, 1008, 1024, 1064, 1088, 1120, 1152, 1176, 1216, 1232, 1280, 1288, 24x56, 21x64, 1400, 1408, 1456, 1472, 1512, 1536, 1568, 1600, 1624, 1664, 1680, 1728, 1736, 32x56, 28x64, 1848, 1856, 1904, and 1920 kbps.
set	Sets the gateway prefix when followed by the "value" parameter. To erase the current setting, omit "value".
"value"	Prefix (code) used for a particular call speed. Consult your gateway instruction manual to determine which codes are appropriate.

Feedback Examples

- gatewayprefix set 168 90
returns
gatewayprefix 168 90
- gatewayprefix get 168
returns
gatewayprefix 168 90

Comments

Some gateways require a number to be prepended (prefix) to the gateway number. The prefix identifies which gateway is used to dial a call at a particular data rate.

gatewaysetup

Lists all available speeds and values at once.

Syntax

```
gatewaysetup
```

Feedback Examples

- gatewaysetup
returns
56 <empty> <empty>
64 #14 #16
2x56 #222 #333
112 #444 #555
2x64 <empty> <empty>
and so on.

gatewaysuffix

Sets or gets the gateway suffix.

Syntax

```
gatewaysuffix get "valid speed"
gatewaysuffix set "valid speed" ["value"]
```

Parameter	Description
get	Returns the current value for this speed.
"valid speed"	Valid speeds are: 56, 64, 2x56, 112, 2x64, 128, 168, 192, 224, 256, 280, 320, 336, 384, 392, 7x64, 8x56, 504, 512, 560, 576, 616, 640, 672, 704, 728, 768, 784, 832, 840, 16x56, 14x64, 952, 960, 1008, 1024, 1064, 1088, 1120, 1152, 1176, 1216, 1232, 1280, 1288, 24x56, 21x64, 1400, 1408, 1456, 1472, 1512, 1536, 1568, 1600, 1624, 1664, 1680, 1728, 1736, 32x56, 28x64, 1848, 1856, 1904, and 1920 kbps.
set	Sets the gateway suffix when followed by the "value" parameter. To erase the current setting, omit "value".
"value"	Suffix (code) used for a particular call speed. Consult your gateway instruction manual to determine which codes are appropriate. Use quotation marks around a compound name or strings that contain spaces. For example: "united states" or "111 222 333".

Feedback Examples

- ```
gatewaysuffix set 192 11
returns
gatewaysuffix 192 11
```
- ```
gatewaysuffix get 192
returns
gatewaysuffix 192 11
```

Comments

Some gateways require a number to be appended (suffix) to the gateway number. The suffix identifies which gateway is used to dial a call at a particular data rate.

gdsdirectory

Sets or gets whether the Polycom GDS directory server is enabled.

Syntax

gdsdi rectory <get|yes|no>

Parameter	Description
get	Returns the current setting.
yes	Enables the Polycom GDS directory server.
no	Disables the Polycom GDS directory server. This is the default setting.

Feedback Examples

- gdsdi rectory get
returns
gdsdi rectory yes
- gdsdi rectory no
returns
gdsdi rectory no

Comments

Each Polycom system supports a single global directory server at any given time. Therefore, enabling the Polycom GDS directory server automatically disables any other global directory server, such as the LDAP directory server, that is enabled.

If the Polycom GDS directory server and another directory server are defined on the system, the Polycom GDS directory server becomes the default directory server after upgrading the system software.

gendial

Generates DTMF dialing tones.

Syntax

gendi al <{0..9}|#|*>

Parameter	Description
{0..9}	Generates the DTMF tone corresponding to telephone buttons 0-9.
#	Generates the DTMF tone corresponding to a telephone # button.
*	Generates the DTMF tone corresponding to a telephone * button.

Feedback Examples

- gendi al 2
returns
gendi al 2
and causes the system to produce the DTMF tone corresponding to a telephone's 2 button

gentialtonepots (deprecated)

Generates DTMF dialing tones over an analog phone line. This command has been deprecated. Polycom recommends using the [gential](#) command on page 4-154.

Syntax

```
gentialtonepots <{0..9}|#|*>
```

Parameter	Description
{0..9}	Generates the DTMF tone corresponding to telephone buttons 0-9.
#	Generates the DTMF tone corresponding to a telephone # button.
*	Generates the DTMF tone corresponding to a telephone * button.

Feedback Examples

- `gentialtonepots 2`
returns
`gentialtonepots 2`
and causes the system to produce the DTMF tone corresponding to a telephone's 2 button

See Also

You can use the [gential](#) command on page 4-154.

generatetone

Turns the test tone on or off. The tone is used to check the monitor audio cable connections or to monitor the volume level.

Syntax

generatetone <on|off>

Parameter	Description
on	Turns on the test tone.
off	Turns off the test tone.

Feedback Examples

- generatetone on
returns
generatetone on
and the system produces a test tone
- generatetone off
returns
generatetone off
and the system stops producing a test tone

get screen

Returns the name of the current screen so that the control panel programmer knows which screen the user interface is currently displaying.

Syntax

```
get screen
```

Feedback Examples

- get screen
returns
screen: near
- get screen
returns
screen: makeacal I
- get screen
returns
screen: generatetone

See Also

You can also use the [screen](#) command on page [4-298](#).

getcallstate

Gets the state of the calls in the current conference.

Syntax

```
getcallstate
```

Feedback Examples

- `getcallstate`
returns
cs: call [34] speed[384] dialstr[192.168.1.101]
state[connected]
cs: call [1] inactive
cs: call [2] inactive

See Also

To register the shell session to receive notifications about call state activities, see the [callstate](#) command on page 4-62.

getconfiguredipaddress

Retrieves the currently configured IPv4 address from the system.

Syntax

```
getconfi guredi paddress
```

Feedback Examples

- `getconfi guredi paddress`
returns
`getconfi guredi paddress 1. 2. 3. 4`

Comments

`getconfiguredipaddress` returns the currently configured IPv4 address of the system regardless of the status of the LAN connection. This differs from the `ipaddress get` command, which returns the current IP address of the system if it has an active LAN connection, else it returns 0.0.0.0.

The definition of "currently configured IPv4 address" depends on the IPv4 address configuration settings:

- If the **Connect to My LAN** setting is disabled, then 0.0.0.0 is returned. Otherwise, the definition depends on the IP Address (IPv4) setting.
- If the IP address is set manually the configured IP address is returned, regardless of whether the LAN connection is currently active.
- If the IP address is obtained automatically, the currently-assigned address is returned, or 0.0.0.0 is returned if there is no active connection.

gmscopy

Sets or gets the Polycom Global Management System™ city information.

Syntax

```
gmscopy get  
gmscopy set ["city"]
```

Parameter	Description
get	Returns the current setting.
set	Sets the Global Management System city name when followed by the "city" parameter. To erase the current setting, omit "city".
"city"	Character string specifying the city. Enclose the string in quotation marks if it includes spaces. Example: "San Antonio"

Feedback Examples

- gmscopy get
returns
gmscopy <empty>
- gmscopy set Paris
returns
gmscopy Paris
- gmscopy get
returns
gmscopy Paris

gmscontactemail

Sets or gets the Global Management System contact email information.

Syntax

```
gmscontactemail get  
gmscontactemail set ["email"]
```

Parameter	Description
get	Returns the current contact email address.
set	Sets the Global Management system contact email address when followed by the "email" parameter. To erase the current setting, omit "email".
"email"	Alphanumeric string specifying the email address.

Feedback Examples

- gmscontactemail get
returns
gmscontactemail <empty>
- gmscontactemail set john_polycom@polycom.com
returns
gmscontactemail john_polycom@polycom.com
- gmscontactemail get
returns
gmscontactemail john_polycom@polycom.com

gmscontactfax

Sets or gets the Global Management System contact fax information.

Syntax

```
gmscontactfax get
gmscontactfax set ["fax number"]
```

Parameter	Description
get	Returns the current contact fax information.
set	Sets the Global Management System contact fax information when followed by the "fax number" parameter. To erase the current setting, omit "fax number".
"fax number"	Character string specifying the fax number. Enclose the string in quotation marks if it includes spaces. Example: "408 555 2323"

Feedback Examples

- gmscontactfax get
returns
gmscontactfax <empty>
- gmscontactfax set "408 555 2323"
returns
gmscontactfax 4085552323
- gmscontactfax get
returns
gmscontactfax 4085552323

gmscontactnumber

Sets or gets the Global Management System contact number information.

Syntax

```
gmscontactnumber get
gmscontactnumber set ["number"]
```

Parameter	Description
get	Returns the current contact number.
set	Sets the Global Management System contact number when followed by the "number" parameter. To erase the current setting, omit "number".
"number"	Numeric string specifying the contact number. Enclose the string in quotation marks if it includes spaces. Example: "408 555 2323"

Feedback Examples

- gmscontactnumber get
returns
gmscontactnumber <empty>
- gmscontactnumber set "408 555 2323"
returns
gmscontactnumber 4085552323
- gmscontactnumber get
returns
gmscontactnumber 4085552323

gmscontactperson

Sets or gets the Global Management System contact person information.

Syntax

```
gmscontactperson get  
gmscontactperson set ["person"]
```

Parameter	Description
get	Returns the current contact person information.
set	Sets the Global Management System contact person name when followed by the "person" parameter. To erase the current setting, omit "person".
"person"	Character string specifying the contact person. Enclose the string in quotation marks if it includes spaces. Example: "Mary Polycom"

Feedback Examples

- gmscontactperson get
returns
gmscontactperson <empty>
- gmscontactperson set "Mary Polycom"
returns
gmscontactperson "Mary Polycom"
- gmscontactperson get
returns
gmscontactnumber "Mary Polycom"

gmscountry

Sets or gets the Global Management System country information.

Syntax

```
gmscountry get
gmscountry set ["countryname"]
```

Parameter	Description
get	Returns the current country setting.
set	Sets the Global Management System country information when followed by the "countryname" parameter. To erase the current setting, omit "countryname".
"countryname"	Character string specifying the country. Enclose the string in quotation marks if it includes spaces. Example: "Uni ted States"

Feedback Examples

- gmscountry get
returns
gmscountry <empty>
- gmscountry set Argenti na
returns
gmscountry Argenti na
- gmscountry get
returns
gmscountry Argenti na

gmsstate

Sets or gets the Global Management System state information.

Syntax

```
gmsstate get  
gmsstate set ["state"]
```

Parameter	Description
get	Returns the current state information.
set	Sets the Global Management System state information when followed by the "state" parameter. To erase the current setting, omit the "state" parameter.
"state"	Character string specifying the state information. Enclose the string in quotation marks if it includes spaces. Example: "West Virginia"

Feedback Examples

- gmsstate get
returns
gmsstate <empty>
- gmsstate set Texas
returns
gmsstate Texas
- gmsstate get
returns
gmsstate Texas

gmstechsupport

Sets or gets the Global Management System technical support phone number.

Syntax

```
gmstechsupport get
gmstechsupport set ["tech_support_digits"]
```

Parameter	Description
get	Returns the current tech support phone number information.
set	Sets the technical support information when followed by the "tech_support_digits" parameter. To erase the current setting, omit "tech_support_digits".
"tech_support_digits"	Numeric string specifying the tech support phone number. Enclose the string in quotation marks if it includes spaces. Example: "408 555 2323"

Feedback Examples

- ```
gmstechsupport get
returns
gmstechsupport <empty>
```
- ```
gmstechsupport set "408 555 2323"
returns
gmstechsupport 4085552323
```
- ```
gmstechsupport get
returns
gmstechsupport 4085552323
```

## gmsurl

Gets the URL of the Global Management System server that manages your system. This command automatically appends "/pwx/vs\_status.asp".

### Syntax

```
gmsurl get {1..10}
gmsurl get all
```

| Parameter | Description                                                                                                                              |
|-----------|------------------------------------------------------------------------------------------------------------------------------------------|
| get       | Returns the current URL information for a selected server. A server must be specified.                                                   |
| {1..10}   | Global Management System server number. The primary Global Management System server that performs account validation is always server 1. |
| all       | Returns information for all Global Management System servers.                                                                            |

### Feedback Examples

- gmsurl get 1  
returns  
gmsurl 1 192.168.1.101/pwx/nx\_status.asp

### Comments

When you are registered with the Global Management System, this information is automatically configured.

## h239enable

Sets or gets the H.239 People+Content setting.

### Syntax

```
h239enable get
h239enable <yes|no>
```

| Parameter | Description                                  |
|-----------|----------------------------------------------|
| get       | Returns the current setting.                 |
| yes       | Enables H.239 People+Content on the system.  |
| no        | Disables H.239 People+Content on the system. |

### Feedback Examples

- h239enable yes  
returns  
h239enable yes
- h239enable no  
returns  
h239enable no
- h239enable get  
returns  
h239enable no

## h323name

Sets or gets the system's H.323 name.

### Syntax

```
h323name get
h323name set ["H. 323name"]
```

| Parameter    | Description                                                                                                                          |
|--------------|--------------------------------------------------------------------------------------------------------------------------------------|
| get          | Returns the current setting.                                                                                                         |
| set          | Sets the H.323 name when followed by the "H. 323name" parameter. To erase this setting, omit the "H. 323name" parameter.             |
| "H. 323name" | Character string specifying the H.323 name. Use quotation marks around strings that contain spaces. For example: "Pol ycom HDX Demo" |

### Feedback Examples

- h323name set My  
returns  
h323name my
- h323name set "Pol ycom HDX Demo"  
returns  
h323name "pol ycom hdx demo"
- h323name get  
returns  
h323name "pol ycom hdx demo"

## h331audiomode

Set or gets the audio protocol sent during H.331 calls. This command is only applicable if you have a V.35 network interface connected to your system.

### Syntax

```
h331audiomode
<get|g729|g728|g711u|g711a|g722-56|g722-48|g7221-16|g7221-24|
g7221-32|si ren14|si ren14stereo|off>
```

| Parameter                                                                                                    | Description                                            |
|--------------------------------------------------------------------------------------------------------------|--------------------------------------------------------|
| get                                                                                                          | Returns the current setting.                           |
| g729 g728 g711u <br>g711a g722-56 <br>g722-48 g7221-16 <br>g7221-24 g7221-32 <br>si ren14 <br>si ren14stereo | Sets the audio protocol to this value for H.331 calls. |
| off                                                                                                          | Turns audio mode off for H.331 calls.                  |

### Feedback Examples

- h331audiomode g. 728  
returns  
h331audiomode g. 728
- h331audiomode "si ren 14"  
returns  
h331audiomode "si ren 14"
- h331audiomode off  
returns  
h331audiomode off

### Comments

This value cannot be changed during a call.

## h331dualstream

Set or gets the dual stream setting used for H.331 calls. This command is only applicable if you have a V.35 network interface connected to your system.

### Syntax

h331dual stream <get|on|off>

| Parameter | Description                            |
|-----------|----------------------------------------|
| get       | Returns the current setting.           |
| on        | Turns on dual stream for H.331 calls.  |
| off       | Turns off dual stream for H.331 calls. |

### Feedback Examples

- h331dual stream on  
returns  
h331dual stream on
- h331dual stream off  
returns  
h331dual stream off
- h331dual stream get  
returns  
h331dual stream off

### Comments

This value cannot be changed during a call.



## h331framerate

Sets or gets the frame rate sent during H.331 calls. This command is only applicable if you have a V.35 network interface connected to your system.

### Syntax

```
h331framerate <get|30|15|10|7.5>
```

| Parameter    | Description                                        |
|--------------|----------------------------------------------------|
| get          | Returns the current setting.                       |
| 30 15 10 7.5 | Sets the frame rate to this value for H.331 calls. |

### Feedback Examples

- h331framerate 15  
returns  
h331framerate 15
- h331framerate 30  
returns  
h331framerate 30
- h331framerate get  
returns  
h331framerate 30

### Comments

This value cannot be changed during a call.

## h331videofORMAT

Sets or gets the video format for H.331 calls. This command is only applicable if you have a V.35 network interface connected to your system.

### Syntax

```
h331vi deoformat <get|fci f>
```

| Parameter | Description                                    |
|-----------|------------------------------------------------|
| get       | Returns the current setting.                   |
| fci f     | Sets the video format to FCIF for H.331 calls. |

### Feedback Examples

- h331vi deoformat fci f  
returns  
h331vi deoformat fci f
- h331vi deoformat get  
returns  
h331vi deoformat fci f

## h331videoprotocol

Sets or gets the H.331 video protocol sent during H.331 calls. This command is only applicable if you have a V.35 network interface connected to your system.

### Syntax

```
h331vi deoprotocol <get|h264|h263+|h263|h261>
```

| Parameter            | Description                                            |
|----------------------|--------------------------------------------------------|
| get                  | Returns the current setting.                           |
| h264 h263+ h263 h261 | Sets the video protocol to this value for H.331 calls. |

### Feedback Examples

- h331vi deoprotocol h264  
returns  
h331vi deoprotocol h264
- h331vi deoprotocol h263+  
returns  
h331vi deoprotocol h263+
- h331vi deoprotocol get  
returns  
h331vi deoprotocol h263+

### Comments

This value cannot be changed during a call.

# hangup

Hangs up the current video or phone call.

## Syntax

```
hangup phone
hangup video ["callid"]
hangup all
```

| Parameter | Description                                                                                                                       |
|-----------|-----------------------------------------------------------------------------------------------------------------------------------|
| phone     | Disconnects the current analog phone (audio-only) site.                                                                           |
| video     | Disconnects the current video call. If the "callid" parameter is omitted, the system disconnects all video far sites in the call. |
| all       | Disconnects all video and audio sites in the call.                                                                                |

## Feedback Examples

- ```
hangup video
returns
hanging up video
```
- ```
hangup video 42
returns
hanging up video
and disconnects the specified site, leaving other sites connected
```
- If callstate register is used for notifications,

```
hangup video 42
returns
hanging up video
cleared: call[42]
dialstring[IP: 192. 168. 1. 101 NAME: Polycom HDX Demo]
ended: call[42]
and disconnects the specified site, leaving other sites connected
```

## Comments

After sending the hangup command, feedback that the call has ended can take up to 15 seconds.

# history

Lists the last commands used in the current session.

## Syntax

hi story

## Feedback Examples

- hi story  
returns  
1 ipaddress set 192.168.1.101  
2 hostname set My  
3 lanport 100fdx  
4 callstate register  
5 lanport get  
6 hi story

## Comments

If more than 64 commands have been issued, only the last 64 are displayed, with the most recent always at the bottom.

## homecallquality

Sets or gets whether users are allowed to select the bandwidth for calls from the Place a Call screen.

### Syntax

homecallquality <get|yes|no>

| Parameter | Description                                                     |
|-----------|-----------------------------------------------------------------|
| get       | Returns the current setting.                                    |
| yes       | Displays the Call Quality menu on the home Place a Call screen. |
| no        | Removes the Call Quality menu from the Place a Call screen.     |

### Feedback Examples

- homecallquality yes  
returns  
homecallquality yes
- homecallquality no  
returns  
homecallquality no
- homecallquality get  
returns  
homecallquality no

## homemultipoint (deprecated)

Sets or gets whether users are allowed to access the multipoint dialing screen via a **Multipoint** button on the home screen. This command has been deprecated.

### Syntax

```
homemultipoint <get|yes|no>
```

| Parameter | Description                                                |
|-----------|------------------------------------------------------------|
| get       | Returns the current setting.                               |
| yes       | Displays the <b>Multipoint</b> button on the Home screen.  |
| no        | Removes the <b>Multipoint</b> button from the Home screen. |

### Feedback Examples

- homemultipoint yes  
returns  
homemultipoint yes
- homemultipoint no  
returns  
homemultipoint no
- homemultipoint get  
returns  
homemultipoint no

### Comments

This option is only available if multipoint calling is enabled.

## homerecentcalls

Sets or gets whether users are allowed to access a list of recent calls made with the system by displaying the **Recent Calls** button on the Home screen.

### Syntax

homerecentcalls <get|yes|no>

| Parameter | Description                                                  |
|-----------|--------------------------------------------------------------|
| get       | Returns the current setting.                                 |
| yes       | Displays the <b>Recent Calls</b> button on the Home screen.  |
| no        | Removes the <b>Recent Calls</b> button from the Home screen. |

### Feedback Examples

- homerecentcalls yes  
returns  
homerecentcalls yes
- homerecentcalls no  
returns  
homerecentcalls no
- homerecentcalls get  
returns  
homerecentcalls no

### Comments

This option is only available if the Call Detail Report option is enabled.



# homesystem

Sets or gets whether users are allowed to access the System screen by displaying the **System** button on the Home screen.

## Syntax

homesystem <get|yes|no>

| Parameter | Description                                            |
|-----------|--------------------------------------------------------|
| get       | Returns the current setting.                           |
| yes       | Displays the <b>System</b> button on the Home screen.  |
| no        | Removes the <b>System</b> button from the Home screen. |

## Feedback Examples

- homesystem yes  
returns  
homesystem yes
- homesystem no  
returns  
homesystem no
- homesystem get  
returns  
homesystem no

## homesystemname

Sets or gets whether to display the name of the system on the Home screen, above the PIP window.

### Syntax

homesystemname <get|yes|no>

| Parameter | Description                                   |
|-----------|-----------------------------------------------|
| get       | Returns the current setting.                  |
| yes       | Displays the system name on the Home screen.  |
| no        | Removes the system name from the Home screen. |

### Feedback Examples

- homesystemname yes  
returns  
homesystemname yes
- homesystemname no  
returns  
homesystemname no
- homesystemname get  
returns  
homesystemname no

# hostname

Sets or gets the LAN host name, which is assigned to the system for TCP/IP configuration and can be used in place of an IP address when dialing IP calls.

## Syntax

```
hostname get
hostname set ["hostname"]
```

| Parameter  | Description                                                                                                                                                                                                                                                                                                                                                                                                                                                                                                                                                                                                                                                                                          |
|------------|------------------------------------------------------------------------------------------------------------------------------------------------------------------------------------------------------------------------------------------------------------------------------------------------------------------------------------------------------------------------------------------------------------------------------------------------------------------------------------------------------------------------------------------------------------------------------------------------------------------------------------------------------------------------------------------------------|
| get        | Returns the current setting.                                                                                                                                                                                                                                                                                                                                                                                                                                                                                                                                                                                                                                                                         |
| set        | Sets the system's LAN host name when followed by the "hostname" parameter. If "hostname" is omitted, the system automatically sets it to Admin.                                                                                                                                                                                                                                                                                                                                                                                                                                                                                                                                                      |
| "hostname" | Character string specifying the LAN host name of the system. The LAN host name follows these format rules:<br>Starts with a letter (A-a to Z-z). It is not case sensitive.<br>Ends with a letter (A-a to Z-z) or a number (0 to 9).<br>May include letters, numbers, and a hyphen.<br>May not be longer than 63 characters.<br><br>Note: The LAN host name is initialized during the out-of-box setup sequence. The LAN host name is the same as the system name, if the system name conforms to the rules above. If the system name does not conform to these rules, the invalid characters are removed from the system name. If the resulting string is empty, the default LAN host name is Admin. |

## Feedback Examples

- hostname set  
returns  
hostname ADMIN  
restart system for changes to take effect. restart now? <y,n>
- hostname set "My"  
returns  
hostname My  
restart system for changes to take effect. restart now? <y,n>
- hostname get  
returns  
hostname My

## Comments

A LAN host name is required; it cannot be deleted or left blank. After making a change, you must restart the system for the setting to take effect.

## icmpoutpacketrates

Specify minimum number of milliseconds between packets to limit the ICMP packet transmission rate.

### Syntax

```
icmpoutpacketrates get
icmpoutpacketrates set {0..60000}
```

| Parameter  | Description                                                                                    |
|------------|------------------------------------------------------------------------------------------------|
| get        | Returns the minimum number of milliseconds between transmitted ICMP packets.                   |
| set        | Sets the minimum number of milliseconds between transmitted ICMP packets.                      |
| {0..60000} | The packet rate. This must be an integer in the range {0..60000}.<br>1000=1 packet per second. |

### Feedback Examples

- icmpoutpacketrates get  
returns  
icmpoutpacketrates 1000
- icmpoutpacketrates set 1001  
returns  
icmpoutpacketrates 1001

### Comments

Applicable for both IPv4 and IPv6 configurations. When 0 is specified, the ICMP packet transmission rate limit is turned off.

After making a change, you must restart the system for the setting to take effect.

### See Also

[destunreachables](#) on page 4-93.

## ignoreredirect

Sets or gets the ability of the system to redirect messages, which may come from a router as part of the IPv6 Neighbor Discovery protocol.

### Syntax

```
ignoreredirect get
ignoreredirect <yes | no>
```

| Parameter | Description                                       |
|-----------|---------------------------------------------------|
| get       | Returns the current IPv6 ignore redirect setting. |
| yes       | Enables the IPv6 ignore redirect setting.         |
| no        | Disables the IPv6 ignore redirect setting.        |

### Feedback Examples

- ```
ignoreredirect get  
returns  
ignoreredirect no
```
- ```
ignoreredirect set yes
returns
ignoreredirect yes
```

### Comments

This setting is applicable for both IPv4 and IPv6 configurations.

After making a change, you must restart the system for the setting to take effect.

# importdirectory

Imports a directory in CSV or XML format

## Syntax

```
importdirectory
<import data line 1>
<import data line 2>
<import data line 3>
.
.
.
importcomplete
```

## Feedback Examples

- ```
importdirectory
<?xml version="1.0" encoding="UTF-8" ?>
<addresses>
<entrytype type="entry" name="Polycom Austin USA IP"
file name="Polycom_Austin_USA_IP.abk"
uniqueid="Polycom_Austin_USA_IP.abk">
<address filename="Polycom_Austin_USA_IP.abk" language=""
displayname="" name="Polycom Austin USA IP">
<h323 address="lobby.austin.polycom.com" speed="256"/>
</address>
</entrytype>
<entrytype type="entry" name="Polycom Hong Kong"
file name="Polycom_Hong_Kong.abk"
uniqueid="Polycom_Hong_Kong.abk">
<address filename="Polycom_Hong_Kong.abk" language=""
displayname="" name="Polycom Hong Kong">
<isdn country_code="852" area_code="2876" numberA="9466"
numberB="9466" speed="2x64"/>
</address>
</addresses>
</xml >
importcomplete
returns
importdirectory succeeded
```
- ```
importdirectory
A, B, C, D, E, F, G, H, I, J, K, L, M, N, O, P, Q, R, S, T, U, V, W, X, Y, Z, AA, AB, A
C, AD, AE, AF, AG, AH, AI, AJ, AK, AL, AM, AN, AO, AP, AQ, AR, AS, AT, AU, AV,
AW, AX, AY, AZ, BA, BB, BC, BD, BE, BF, BG, BH, BI, BJ, BK, BL, BM, BN, BO, BP
, BQ, BR, BS, BT, BU, BV, BW, BX, BY, BZ, CA, CB
```

File Name, Entry Name, ISDN Country Code, ISDN Area Code, ISDN





## Comments

When importing XML-formatted data, the imported data must be in the same format as was obtained from the Polycom HDX system via the [exportdirectory](#) command on page 4-129 or the export directory utility in the web interface.

Duplicate entries are overwritten; other entries in the imported directory are added into the system's local directory.

All of the lines entered into the session after `importdirectory` is issued are interpreted as directory data.

Issuing the `importcomplete` command on its own line indicates that the directory import is complete.

If no data is received for 60 seconds during import, the import ends, and an "importdirectory timed out" error response is sent to the API session. All previous data entered is ignored.

Additional usage notes:

- Polycom HDX systems running software version 2.6 or later can import directory data exported from systems running version 2.6 and earlier versions.
- Polycom HDX systems running software versions earlier than 2.6 cannot import directory data exported by systems running software version 2.6 or later.

## See Also

See the [exportdirectory](#) command on page 4-129.

## importprofile

Imports system and user profile information in a CSV format. The input is submitted through the telnet or serial port.

### Syntax

```
importprofile
<import data line 1>
<import data line 2>
<import data line 3>
.
.
.
importcomplete
```

### Feedback Examples

```
importprofile
h323name, s8w
hdaccelerator, BrutusT
avayaenabled, ""
systemsoftwareversion_prev, 2. 6. 0
ipmaxincoming, 4096
speakervolume, 25
sysname, s8w
speedtranslated, Auto-128-256-384-512-768-1024-1472-1920-4096
directoryinfoupdated, True
pwcreateiteminremoteuser0, 0
.
.
.
buildmodel, ROOSEVELT
homebutton, MAKEACALL
dialnumberext, ""
mp8enabled, ""
lastloginfromadmin, Local
timezone, CST
presence, AVAILABLE
profilechecksum, 16813327827
importcomplete

importprofile succeeded
```

### Comments

When importing profile data, the imported data must be in the same format as was obtained from the Polycom HDX system via the [exportprofile](#) command on page 4-131 or the export profile utility in the web interface. When

importing profile data back into the system, use the data in its entirety (not edited in any form). The system may use the checksum utility to verify of integrity of the data when imported back into the system.

`importprofile` succeeded is returned to indicate that the profile data has been imported.

A reboot of the system is required after successfully importing system and user profile information and will occur automatically after the import is complete.

### See Also

See the [exportprofile](#) command on page 4-131.

## incompleterevoationcheck

Sets or gets the ability to use or reject a certificate if revocation checking is incomplete.

### Syntax

```
incompleterevoationcheck get
incompleterevoationcheck set <yes|no>
```

| Parameter | Description                                                                                            |
|-----------|--------------------------------------------------------------------------------------------------------|
| get       | Returns the current setting.                                                                           |
| set       | Sets the certificate validation setting.                                                               |
| yes       | Allows the system to continue to use a certificate in some cases if revocation checking is incomplete. |
| no        | Rejects a certificate with incomplete revocation checking.                                             |

### Feedback Examples

- incompleterevoationcheck get  
returns  
incompleterevoationcheck yes
- incompleterevoationcheck set yes  
returns  
incompleterevoationcheck yes
- incompleterevoationcheck set no  
returns  
incompleterevoationcheck no

### Comments

After making a change, you must restart the system for the setting to take effect.

# ipaddress

Sets or gets the LAN IP address (IPv4) of the system.

## Syntax

```
iaddress get
iaddress set "xxx.xxx.xxx.xxx"
```

| Parameter         | Description                                                                                                    |
|-------------------|----------------------------------------------------------------------------------------------------------------|
| get               | Returns the current setting.                                                                                   |
| set               | Sets the LAN IP address to the "xxx.xxx.xxx.xxx" parameter. This setting can only be changed when DHCP is off. |
| "xxx.xxx.xxx.xxx" | IP address of the system.                                                                                      |

## Feedback Examples

- iaddress set 192.168.1.101  
returns  
iaddress 192.168.1.101
- iaddress get  
returns  
iaddress 192.168.1.101

## Comments

Use this command when you need to allocate a static IP address to your system. After making a change, you must restart the system for the setting to take effect.

## ipdialspeed

Sets or gets the valid IP dialing speed, and enables or disables the specified speed.

### Syntax

```
ipdialspeed get "valid speed"
ipdialspeed set "valid speed" <on|off>
```

| Parameter     | Description                                                                                                                                                                                                                                                                                                                                                                                                                              |
|---------------|------------------------------------------------------------------------------------------------------------------------------------------------------------------------------------------------------------------------------------------------------------------------------------------------------------------------------------------------------------------------------------------------------------------------------------------|
| get           | Returns the current setting. The parameter "valid speed" is required.                                                                                                                                                                                                                                                                                                                                                                    |
| "valid speed" | Valid speeds are: 56, 64, 2x56, 112, 2x64, 128, 168, 192, 224, 256, 280, 320, 336, 384, 392, 7x64, 504, 512, 560, 576, 616, 640, 672, 704, 728, 768, 784, 832, 840, 14x64, 952, 960, 1008, 1024, 1064, 1088, 1120, 1152, 1176, 1216, 1232, 1280, 1288, 21x64, 1400, 1408, 1456, 1472, 1512, 1536, 1568, 1600, 1624, 1664, 1680, 1728, 1792, 1856, 1920, 1960, 1984, 2016, 2048, 2304, 2560, 2816, 3072, 3328, 3584, 3840, and 4096 kbps. |
| set           | Sets the IP dialing speed. The parameters "valid speed" and on or off are required.                                                                                                                                                                                                                                                                                                                                                      |
| on            | Enables the specified speed.                                                                                                                                                                                                                                                                                                                                                                                                             |
| off           | Disables the specified speed.                                                                                                                                                                                                                                                                                                                                                                                                            |

### Feedback Examples

- ipdialspeed set 168 on  
returns  
ipdialspeed set 168 on
- ipdialspeed set 168 off  
returns  
ipdialspeed set 168 off
- ipdialspeed get 168  
returns  
ipdialspeed 168 off

## Comments

The Polycom HDX system does not support separate settings for IP and ISDN dialing speeds. When you change a setting using this command, the settings associated with the [isdndialspeed](#) command on page [4-207](#) also change, and vice versa.

## ipisdninfo

Sets or gets whether the Home screen displays IP information, ISDN information, both, or neither.

### Syntax

`ipisdninfo <get|both|ip-only|isdn-only|none>`

| Parameter | Description                                                     |
|-----------|-----------------------------------------------------------------|
| get       | Returns the current setting.                                    |
| both      | Displays IP and ISDN information on the Home screen.            |
| ip-only   | Displays only IP information on the Home screen.                |
| isdn-only | Displays only ISDN information on the Home screen.              |
| none      | Does not display any IP or ISDN information on the Home screen. |

### Feedback Examples

- ```
ipisdninfo ip-only
returns
ipisdninfo ip-only
```
- ```
ipisdninfo both
returns
ipisdninfo both
```
- ```
ipisdninfo get
returns
ipisdninfo both
```


ipprecaudio, ipprefecc, ipprecvideo

Sets or gets the IP Precedence priority level (Type of Service Value) for audio, far-end camera control (FECC) and other call control channels, and video. The value for each can be between 0 and 7.

Syntax

```
ipprecaudio get
ipprecaudio set {0..7}
ipprefecc get
ipprefecc set {0..7}
ipprecvideo get
ipprecvideo set {0..7}
```

Parameter	Description
get	Returns the current setting.
set	Sets the IP precedence. A priority level is required. This must be an integer in the range {0..7}.

Feedback Examples

- ipprecaudio set 5
returns
ipprecaudio 5
- ipprecaudio get
returns
ipprecaudio 5

Comments

The ipprefecc command is equivalent to the Control setting in the user interface.

If the [typeofservice](#) command on page 4-331 is set to `diffserv`, these commands are not applicable.

ipv6addrmode

Sets or gets the ability for the system to act as a client and receive an address, specify an address manually, or completely disable IPv6.

Syntax

```
ipv6addrmode <get|client|manual|off>
```

Parameter	Description
get	Returns the current setting.
client	IPv6 addresses from network elements.
manual	Allows full configuration of IPv6 addresses.
off	Disables IPv6 addressing.

Feedback Examples

- ```
ipv6addrmode get
```

 returns  

```
ipv6addrmode client
```
- ```
ipv6addrmode off
```

 returns

```
ipv6global address off
```

Comments

This setting is applicable for both IPv4 and IPv6 configurations.

After making a change, you must restart the system for the setting to take effect.

ipv6globaladdress

Sets or gets the IPv6 link global address.

Syntax

```

i pv6gl obal address get
i pv6gl obal address set "i pv6 gl obal address"

```

Parameter	Description
get	Returns the current setting.
set	Sets the IPv6 global address.
i pv6 l i nk gl obal address	The local IPv6 global address.

Feedback Examples

- ```

i pv6gl obal address get
returns
i pv6gl obal address 2002: ac1a: 140: 0: 2e0: dbff: fe08: a03a/64

```
- ```

i pv6gl obal address set 2002: ac1a: 140: 0: 2e0: dbff: fe08: a03a/64
returns
i pv6gl obal address 2002: ac1a: 140: 0: 2e0: dbff: fe08: a03a/64

```

Comments

After making a change, you must restart the system for the setting to take effect. This setting can be changed only when `ipv6addrmode` is set to **manual**.

See Also

[ipv6addrmode](#) on page 4-198

ipv6defaultgateway

Sets or gets the IPv6 default gateway.

Syntax

```
ipv6default gateway get
ipv6default gateway set "ipv6 link local address"
```

Parameter	Description
get	Returns the current setting.
set	Sets the IPv6 default gateway.
ipv6 default gateway	The local IPv6 default gateway.

Feedback Examples

- ```
ipv6default gateway get
returns
ipv6default gateway fe80: : 213: 5fff: fe2f: 2e4a
```
- ```
ipv6default gateway set fe80: : 213: 5fff: fe2f: 2e4a
returns
ipv6default gateway fe80: : 213: 5fff: fe2f: 2e4a
```

Comments

After making a change, you must restart the system for the setting to take effect. This setting can be changed only when `ipv6addrmode` is set to **manual**.

See Also

[ipv6addrmode](#) on page 4-198

ipv6linklocal

Sets or gets the IPv6 link local address.

Syntax

```
ipv6linklocal get
ipv6linklocal set "ipv6 link local address"
```

Parameter	Description
get	Returns the current setting.
set	Sets the IPv6 link local address.
ipv6 link local address	The local IPv6 link local address.

Feedback Examples

- `ipv6linklocal get`
returns
`ipv6linklocal fe80::2e0:dbff:fe08:a03a/64`
- `ipv6linklocal set fe80::2e0:dbff:fe08:a03a/64`
returns
`ipv6linklocal fe80::2e0:dbff:fe08:a03a/64`

Comments

After making a change, you must restart the system for the setting to take effect. This setting can be changed only when `ipv6addrmode` is set to **manual**.

See Also

[ipv6addrmode](#) on page 4-198

ipv6sitelocal

Sets or gets the IPv6 site local address.

Syntax

```
ipv6sitelocal get
ipv6sitelocal set "ipv6 site local address"
```

Parameter	Description
get	Returns the current setting.
set	Sets the IPv6 site local address.
ipv6 site local address	The local IPv6 site local address.

Feedback Examples

- ```
ipv6sitelocal get
returns
ipv6sitelocal fed0:0:140:1:2e0:dbff:fe08:a03a/64
```
- ```
ipv6sitelocal set fed0:0:140:1:2e0:dbff:fe08:a03a/64
returns
ipv6sitelocal fed0:0:140:1:2e0:dbff:fe08:a03a/64
```

Comments

After making a change, you must restart the system for the setting to take effect. This setting can be changed only when `ipv6addrmode` is set to manual.

See Also

[ipv6addrmode](#) on page 4-198.

ipstat

Returns the LAN host name, WINS resolution, DHCP, IP address, DNS servers 1-4, default gateway, WINS server, and subnet mask.

Syntax

```
ipstat
```

Feedback Examples

- ipstat
returns
hostname My
winsresolution no
dhcp client
ipaddress 192.168.1.101
dnserver 192.168.1.102
dnserver1 192.168.1.103
dnserver2 192.168.1.104
dnserver3 0.0.0.0
defaultgateway 192.168.1.105
subnetmask 255.255.255.0
winsserver 192.168.1.106
lanport auto
webaccessport 80

isdnareacode

Sets or gets the ISDN area code or STD code associated with the area where the system is used. This command is only applicable if you have an ISDN network interface connected to your system.

Syntax

```
isdnareacode get  
isdnareacode set ["area code"]
```

Parameter	Description
get	Returns the area code information.
set	Sets the ISDN area code when followed by the "area code" parameter. To erase the current setting, omit "area code".
"area code"	Numeric value.

Feedback Examples

- isdnareacode set 700
returns
isdnareacode 700
- isdnareacode get
returns
isdnareacode 700

isdncountrycode

Sets or gets the ISDN country code associated with the country where the system is used. This command is only applicable if you have an ISDN network interface connected to your system.

Syntax

```
isdncountrycode get  
isdncountrycode set ["country code"]
```

Parameter	Description
get	Returns the country code information.
set	Sets the ISDN country code when followed by the "country code" parameter. To erase the current setting, omit "country code".
"country code"	The ISDN country code.

Feedback Examples

- isdncountrycode set 1
returns
isdncountrycode 1
- isdncountrycode get
returns
isdncountrycode 1

Comments

The system is generally able to automatically determine the country code based on the country you selected during initial system setup.

isdndialingprefix

Sets or gets the ISDN dialing prefix used to access an outside line if the system is behind a PBX. This command is only applicable if you have an ISDN network interface connected to your system.

Syntax

```
isdndialingprefix get  
isdndialingprefix set ["isdnprefix"]
```

Parameter	Description
get	Returns the dialing prefix.
set	Sets the ISDN prefix when followed by the "isdnprefix" parameter. To erase the current setting, omit "isdnprefix".
"isdnprefix"	The digit(s) that must be dialed to reach an outside line.

Feedback Examples

- isdndialingprefix set 9
returns
isdndialingprefix 9
- isdndialingprefix get
returns
isdndialingprefix 9

isdndialspeed

Sets or gets the valid dialing speed of the ISDN network interface. This command only applies if an ISDN network interface is connected to a system.

Syntax

```
isdndial speed get "val i d speed"
isdndial speed set "val i d speed" <on|off>
```

Parameter	Description
get	Returns the current setting. The parameter "val i d speed" is required.
set	Sets the ISDN dialing speed. The parameters "val i d speed" and on or off are required.
"val i d speed"	Valid speeds are: 56, 64, 2x56, 112, 2x64, 128, 168, 192, 224, 256, 280, 320, 336, 384, 392, 7x64, 504, 512, 560, 576, 616, 640, 672, 704, 728, 768, 784, 832, 840, 14x64, 952, 960, 1008, 1024, 1064, 1088, 1120, 1152, 1176, 1216, 1232, 1280, 1288, 21x64, 1400, 1408, 1456, 1472, 1512, 1536, 1568, 1600, 1624, 1664, 1680, 1728, 1792, 1856, and 1920 kbps. Note: The highest speed for BRI systems is 512 kbps, the highest speed for T1 systems is 1472 kbps, and the highest speed for E1 systems is 1920 kbps.
on	Enables the specified speed.
off	Disables the specified speed.

Feedback Examples

- isdndial speed set 256 on
returns
isdndial speed set 256 on
- isdndial speed set 168 off
returns
isdndial speed set 168 off
- isdndial speed get 168
returns
isdndial speed 168 off

Comments

The Polycom HDX system does not support separate settings for ISDN and IP dialing speeds. When you change a setting using this command, the settings associated with the [ipdialspeed](#) command on page [4-194](#) also change, and vice versa.

isdnum

Sets or gets the ISDN video number or numbers assigned to the system. This command is only applicable if you have an ISDN network interface connected to your system.

Syntax

```
isdnum get <1b1|1b2|2b1|2b2|3b1|3b2|4b1|4b2>
```

```
isdnum set <1b1|1b2|2b1|2b2|3b1|3b2|4b1|4b2> ["number"]
```

Parameter	Description
get	Returns the current ISDN number associated with the specified B channel.
set	Sets the ISDN number for a B channel line when followed by the "number" parameter. To erase the current setting, omit "number". This parameter is not allowed while in a call.
1b1 1b2 2b1 2b2 3b1 3b2 4b1 4b2	The line and B channel. Valid values are: 1b1BRI line 1, B channel 1 1b2BRI line 1, B channel 2 2b1BRI line 2, B channel 1 2b2BRI line 2, B channel 2 3b1BRI line 3, B channel 1 3b2BRI line 3, B channel 2 4b1BRI line 4, B channel 1 4b2BRI line 4, B channel 2
"number"	The ISDN number(s) provided by your network service provider for the specified B channel.

Feedback Examples

- isdnum set 1b1 "700 555 1212"
returns
isdnum 1b1 7005551212
- isdnum get 1b1
returns
isdnum 1b1 7005551212

Comments

The isdnum set 1b1 and isdnum get 1b1 commands can be used for BRI and for PRI lines.

isdnswitch

Sets or gets the ISDN switch protocol. This command is only applicable if you have an ISDN network interface connected to your system.

Syntax

```
isdnswi tch get
isdnswi tch <pt-to-pt_at&t_5_ess|mul ti poi nt_at&t_5_ess|ni -1>
isdnswi tch <nortel_dms-100|standard_etsi_euro-i sdn|ts-031|ntt_i ns-64>
```

Parameter	Description
get	Returns the current switch protocol.
pt-to-pt_at&t_5_ess mul ti poi nt_at&t_5_ess ni -1 nortel_dms-100 standard_etsi_euro-i sdn ts-031 ntt_i ns-64	Specifies the ISDN switch protocol to use.

Feedback Examples

- ```
isdnswi tch pt-to-pt_at&t_5_ess
returns
isdnswi tch pt-to-pt_at&t_5_ess
```
- ```
isdnswi tch nortel_dms-100
returns
isdnswi tch nortel_dms-100
```
- ```
isdnswi tch get
returns
isdnswi tch nortel_dms-100
```

### Comments

If more than one switch protocol is supported, you must find out from your telephone service provider which protocol to select. If you change the country settings, a new set of ISDN switch protocols is loaded.

### See Also

To set the switch type for PRI systems, use the [priswitch](#) command on page 4-281.

## keypadaudioconf

Sets or gets the keypad audio confirmation. When this option is enabled, an audio response is echoed when a numeric key is pressed on the remote control.

### Syntax

```
keypadaudioconf <get|yes|no>
```

| Parameter | Description                  |
|-----------|------------------------------|
| get       | Returns the current setting. |
| yes       | Enables audio confirmation.  |
| no        | Disables audio confirmation. |

### Feedback Examples

- keypadaudioconf yes  
returns  
keypadaudioconf yes
- keypadaudioconf no  
returns  
keypadaudioconf no
- keypadaudioconf get  
returns  
keypadaudioconf no

# language

Sets or gets the language that will display on the system.

## Syntax

```
language <set|get>
```

```
language set <arabi c|chi nese|engl i shuk|engl i shus|french|german|
hungari an|i tal i an|j apanese|korean|norwegi an|pol i sh|portuguese|
russi an|spani sh|tradi ti onal _chi nese>
```

| Parameter | Description                                                 |
|-----------|-------------------------------------------------------------|
| get       | Returns the current language used on the system.            |
| set       | Sets the specified language. Requires a language parameter. |

## Feedback Examples

- language set german  
returns  
language german
- language get  
returns  
language german



# lanport

Sets or gets the LAN port settings of the system.

## Syntax

```
lanport
```

```
<get | auto | autohdx | autofdx | 10hdx | 10fdx | 100hdx | 100fdx | 1000hdx | 1000fdx>
```

| Parameter                                                                      | Description                                                                                                                                                                                                                                                                                                                                                                                                                                                                                                                                                                |
|--------------------------------------------------------------------------------|----------------------------------------------------------------------------------------------------------------------------------------------------------------------------------------------------------------------------------------------------------------------------------------------------------------------------------------------------------------------------------------------------------------------------------------------------------------------------------------------------------------------------------------------------------------------------|
| get                                                                            | Returns the current setting.                                                                                                                                                                                                                                                                                                                                                                                                                                                                                                                                               |
| auto   autohdx   autofdx   10hdx   10fdx   100hdx   100fdx   1000hdx   1000fdx | <p>Sets the LAN speed and duplex mode. This parameter is not allowed while in a call.</p> <p>auto: Automatically negotiates the LAN speed and duplex mode.</p> <p>autohdx: Automatically negotiates the LAN speed but specifies half-duplex mode.</p> <p>autofdx: Automatically negotiates the LAN speed but specifies full-duplex mode.</p> <p>10hdx: 10 Mbps, half duplex</p> <p>10fdx: 10 Mbps, full duplex</p> <p>100hdx: 100 Mbps, half duplex</p> <p>100fdx: 100 Mbps, full duplex</p> <p>1000hdx: 1000 Mbps, half duplex</p> <p>1000fdx: 1000 Mbps, full duplex</p> |

## Feedback Examples

- ```
lanport auto
returns
lanport auto
restart system for changes to take effect. restart now? <y,n>
```
- ```
lanport get
returns
lanport auto
```

## Comments

After making a change, you are prompted to restart the system.

## ldapauthenticationtype

Sets or gets the authentication type required to authenticate with an LDAP server.

### Syntax

```
ldapauthenticationtype get
```

```
ldapauthenticationtype set <anonymous|basic|ntlm>
```

| Parameter | Description                                                                                                                                                                                      |
|-----------|--------------------------------------------------------------------------------------------------------------------------------------------------------------------------------------------------|
| get       | Returns the current setting.                                                                                                                                                                     |
| set       | Sets the authentication type of an LDAP server.<br>Note: This parameter does not change the setting on the server. Instead, this parameter changes how the Polycom system recognizes the server. |
| anonymous | Specifies "anonymous" as the authentication type of an LDAP server.                                                                                                                              |
| basic     | Specifies "basic" as the authentication type of an LDAP server.                                                                                                                                  |
| ntlm      | Specifies "ntlm" as the authentication type of an LDAP server. This is the default setting.                                                                                                      |

### Feedback Examples

- ldapauthenticationtype get  
returns  
ldapauthenticationtype anonymous
- ldapauthenticationtype set basic  
returns  
ldapauthenticationtype basic
- ldapauthenticationtype set ntlm  
returns  
ldapauthenticationtype ntlm

## ldapbasedn

Sets or gets the base distinguished name (DN) of an LDAP server.

### Syntax

```
ldapbasedn get
ldapbasedn set ["base dn"]
```

| Parameter | Description                                                                                                                                                                                                                                       |
|-----------|---------------------------------------------------------------------------------------------------------------------------------------------------------------------------------------------------------------------------------------------------|
| get       | Returns the current setting.                                                                                                                                                                                                                      |
| set       | Sets the base DN of an LDAP server. To erase the current setting, omit the "base dn" parameter.<br>Notes: This parameter does not change the setting on the server. Instead, this parameter changes how the Polycom system recognizes the server. |
| "base dn" | Specifies the base DN of an LDAP server.<br>Valid characters include:<br>Unicode (ISO-10646) characters, including IA5/ASCII characters and extended characters such as é, Ø, and å.                                                              |

### Feedback Examples

- ldapbasedn get  
returns  
ldapbasedn dc=hardware, dc=domain, dc=Polycom, dc=com  
where:  
dc=domain component
- ldapbasedn set dc=software, dc=domain, dc=Polycom, dc=com  
returns  
ldapbasedn dc=software, dc=domain, dc=Polycom, dc=com  
where:  
dc=domain component

## ldapbinddn

Sets or gets the bind DN for LDAP Simple Authentication.

### Syntax

```
ldapbinddn get
ldapbinddn set ["bind dn"]
```

| Parameter | Description                                                                                                                                                                                                                                                   |
|-----------|---------------------------------------------------------------------------------------------------------------------------------------------------------------------------------------------------------------------------------------------------------------|
| get       | Returns the current setting.                                                                                                                                                                                                                                  |
| set       | Sets the bind DN for LDAP Simple Authentication. To erase the current setting, omit the "bind dn" parameter.<br>Note: This parameter does not change the setting on the server. Instead, this parameter changes how the Polycom system recognizes the server. |
| "bind dn" | Specifies the bind DN of an LDAP server.<br>Valid characters include:<br>Unicode (ISO-10646) characters, including IA5/ASCII characters and extended characters such as é, Ø, and å.                                                                          |

### Feedback Examples

- ldapbinddn get  
returns  
ldapbinddn cn=pl cm adm n1, ou=pl cmsupport, ou=pl cmhel p,  
dc=hardware, dc=domai n, dc=pol ycom, dc=com  
where:  
cn=common name  
ou=organi zati onal uni t  
dc=domai n component
- ldapbinddn set cn=pl cm  
adm n2, ou=pl cmaccounts, ou=pl cmservi ce,  
dc=hardware, dc=domai n, dc=pol ycom, dc=com  
returns  
ldapbinddn cn=pl cm adm n2, ou=pl cmaccounts, ou=pl cmservi ce,  
dc=hardware, dc=domai n, dc=pol ycom, dc=com  
where:  
cn=common name  
ou=organi zati onal uni t  
dc=domai n component

# ldapdirectory

Sets or gets whether the LDAP directory server is enabled.

## Syntax

```
ldapdirectory <get|yes|no>
```

| Parameter | Description                                                      |
|-----------|------------------------------------------------------------------|
| get       | Returns the current setting.                                     |
| yes       | Enables the LDAP directory server.                               |
| no        | Disables the LDAP directory server. This is the default setting. |

## Feedback Examples

- ldapdirectory get  
returns  
ldapdirectory yes
- ldapdirectory no  
returns  
ldapdirectory no

## Comments

Each Polycom system supports a single global directory server at any given time. Therefore, enabling the LDAP directory server automatically disables any other global directory server, such as the Polycom GDS directory server, that is enabled.

If the Polycom GDS directory server and another directory server are defined on the system, the Polycom GDS directory server becomes the default directory server after upgrading the system software.

## ldapntlmdomain

Sets or gets the domain in which authentication takes place in the Active Directory server.

### Syntax

```
ldapntlmdomain get
ldapntlmdomain set ["domain"]
```

| Parameter | Description                                                                                                                                                                                                                                                                                     |
|-----------|-------------------------------------------------------------------------------------------------------------------------------------------------------------------------------------------------------------------------------------------------------------------------------------------------|
| get       | Returns the current setting.                                                                                                                                                                                                                                                                    |
| set       | Sets the domain in which authentication takes place in the Active Directory server. To erase the current setting, omit the "domain" parameter.<br>Note: This parameter does not change the setting on the server. Instead, this parameter changes how the Polycom system recognizes the server. |
| "domain"  | Specifies the domain in which authentication takes place in the Active Directory server.<br>Valid characters include:<br>0 through 9, a through z, A through Z, hyphen (-), and period (. )<br>Note: The domain name cannot begin or end with a hyphen or a period.                             |

### Feedback Examples

- ldapntlmdomain get  
returns  
ldapntlmdomain AUSTIN
- ldapntlmdomain set ANDOVER  
returns  
ldapntlmdomain ANDOVER

# ldappassword

Sets the password for Simple or NT LAN Manager (NTLM) authentication of an LDAP server.

## Syntax

```
ldappassword set <ntlm|basic> ["password"]
```

| Parameter  | Description                                                                                                                                                                                                                                                                                                                  |
|------------|------------------------------------------------------------------------------------------------------------------------------------------------------------------------------------------------------------------------------------------------------------------------------------------------------------------------------|
| set        | Sets the password for Simple or NTLM authentication of an LDAP server. To erase the current setting, omit the "password" parameter.<br><br>Note: This parameter does not change the setting on the server. Instead, this parameter changes how the Polycom system recognizes the server.                                     |
| ntlm       | Specifies setting the password for NTLM authentication of an LDAP server.                                                                                                                                                                                                                                                    |
| basic      | Specifies setting the password for Simple authentication of an LDAP server.                                                                                                                                                                                                                                                  |
| "password" | Specifies the password for Simple or NTLM authentication of an LDAP server.<br><br>Valid characters include:<br>Unicode (ISO-10646) characters, including IA5/ASCII characters and extended characters such as é, Ø, and å.<br><br>Note: The server administrator may specify additional restrictions for password creation. |

## Feedback Examples

- ldappassword set ntlm P!cmp@s5wd  
returns  
ldappassword ntlm P!cmp@s5wd
- ldappassword set basic P0!yc0mp@s5  
returns  
ldappassword basic P0!yc0mp@s5

## ldapsrveraddress

Sets or gets the LDAP server address.

### Syntax

```
ldapsrveraddress get
ldapsrveraddress set ["address"]
```

| Parameter | Description                                                                                                                                                                                                                                                                         |
|-----------|-------------------------------------------------------------------------------------------------------------------------------------------------------------------------------------------------------------------------------------------------------------------------------------|
| get       | Returns the current setting.                                                                                                                                                                                                                                                        |
| set       | Sets the IP address or the DNS name of an LDAP server. To erase the current setting, omit the "address" parameter.<br>Note: This parameter does not change the setting on the server. Instead, this parameter changes how the Polycom system recognizes the server.                 |
| "address" | Specifies the IP address or the DNS name of an LDAP server.<br>The DNS name requires alphanumeric characters. Valid characters include:<br>0 through 9<br>a through z<br>A through Z<br>-<br>Note: The "-" character cannot be used as the first or last character in the DNS name. |

### Feedback Examples

- `ldapsrveraddress get`  
returns  
`ldapsrveraddress hardware.domain.polycom.com`
- `ldapsrveraddress set software.domain.polycom.com`  
returns  
`ldapsrveraddress software.domain.polycom.com`



# ldapserversport

Sets or gets the port number of an LDAP server.

## Syntax

```
ldapserversport get
```

```
ldapserversport set ["port number"]
```

| Parameter     | Description                                                                                                                                                                                                                                              |
|---------------|----------------------------------------------------------------------------------------------------------------------------------------------------------------------------------------------------------------------------------------------------------|
| get           | Returns the current setting.                                                                                                                                                                                                                             |
| set           | Sets the port number of an LDAP server. To erase the current setting, omit the "port number" parameter.<br>Note: This parameter does not change the setting on the server. Instead, this parameter changes how the Polycom system recognizes the server. |
| "port number" | Specifies the port number of an LDAP server. The default setting is 389.                                                                                                                                                                                 |

## Feedback Examples

- ```
ldapserversport get
```

 returns

```
ldapserversport 389
```
- ```
ldapserversport set 636
```

 returns  

```
ldapserversport 636
```

## ldapsslenabled

Sets or gets the Secure Sockets Layer (SSL)/Transport Layer Security (TLS) encryption state for LDAP operations.

### Syntax

```
ldapssl enabled get
ldapssl enabled set [on|off]
```

| Parameter | Description                                                                                                                                                                                         |
|-----------|-----------------------------------------------------------------------------------------------------------------------------------------------------------------------------------------------------|
| get       | Returns the current setting.                                                                                                                                                                        |
| set       | Sets the SSL encryption state for LDAP operations.<br>Note: This parameter does not change the setting on the server. Instead, this parameter changes how the Polycom system recognizes the server. |
| on        | Specifies "on" as the encryption state for LDAP operations. This is the default setting.                                                                                                            |
| off       | Specifies "off" as the encryption state for LDAP operations.                                                                                                                                        |

### Feedback Examples

- ldapssl enabled get  
returns  
ldapssl enabled off
- ldapssl enabled set on  
returns  
ldapssl enabled on

# ldapusername

Sets or gets the user name for NTLM authentication of an LDAP server.

## Syntax

```
ldapusername get
ldapusername set ["user name"]
```

| Parameter   | Description                                                                                                                                                                                                                                                                  |
|-------------|------------------------------------------------------------------------------------------------------------------------------------------------------------------------------------------------------------------------------------------------------------------------------|
| get         | Returns the current setting.                                                                                                                                                                                                                                                 |
| set         | Sets the user name for NTLM authentication of an LDAP server. To erase the current setting, omit the "user name" parameter.<br>Note: This parameter does not change the setting on the server. Instead, this parameter changes how the Polycom system recognizes the server. |
| "user name" | Specifies the user name for NTLM authentication of an LDAP server.<br>Valid characters include:<br>Unicode (ISO-10646) characters, including IA5/ASCII characters and extended characters such as é, Ø, and å.                                                               |

## Feedback Examples

- ldapusername get  
returns  
ldapusername j pol ycom
- ldapusername set mpol ycom  
returns  
ldapusername mpol ycom

## linestate

Sets or gets API session registration to receive notifications about IP or ISDN line state changes.

### Syntax

```
linestate get
linestate <register|unregister>
```

| Parameter  | Description                                                             |
|------------|-------------------------------------------------------------------------|
| get        | Returns the current setting.                                            |
| register   | Registers to receive notification when IP or ISDN line states change.   |
| unregister | Unregisters to receive notification when IP or ISDN line states change. |

### Feedback Examples

- linestate register  
returns  
linestate registered
- linestate unregister  
returns  
linestate unregistered
- linestate get  
returns  
linestate unregistered

### Comments

IP line state changes are only received in a serial API session.

# listen

Registers the RS-232 session to listen for incoming video calls, phone calls, or system sleep or awake state and, consequently, to give notification when the registered state occurs.

## Syntax

```
listen <video|phone|sleep>
```

| Parameter | Description                                                                                                                                                                                                                                                                                           |
|-----------|-------------------------------------------------------------------------------------------------------------------------------------------------------------------------------------------------------------------------------------------------------------------------------------------------------|
| video     | Instructs the session to listen for incoming video calls. When this event occurs, the message "listen video ringing" is received.                                                                                                                                                                     |
| phone     | Instructs the session to listen for incoming phone calls. When this event occurs, the message "listen phone ringing" is received.                                                                                                                                                                     |
| sleep     | Instructs the session to listen for when the system goes into sleep mode. When this event occurs, the message "listen going to sleep" is received. When the system wakes up, the message "listen waking up" is received. Deprecated. Polycom recommends using sleep register instead of this command. |

## Feedback Examples

- listen sleep  
returns  
listen sleep registered  
to acknowledge that the session is now registered to listen for sleep mode
- listen phone  
returns  
listen phone registered  
to acknowledge that the session is now registered to listen for incoming phone calls
- listen video  
returns  
listen video registered  
to acknowledge that the session is now registered to listen for incoming video calls

## localdatetime

Sets or gets whether to display the local date and time on the Home screen.

### Syntax

localdatetime <get|yes|no>

| Parameter | Description                                           |
|-----------|-------------------------------------------------------|
| get       | Returns the current setting.                          |
| yes       | Displays the local date and time on the Home screen.  |
| no        | Removes the local date and time from the Home screen. |

### Feedback Examples

- localdatetime yes  
returns  
localdatetime yes
- localdatetime no  
returns  
localdatetime no
- localdatetime get  
returns  
localdatetime no

## loginwindowduration

Sets or gets the duration of time within which failed logins can lead to account lockout.

### Syntax

loginwindowduration <get|set>

| Parameter | Description                                                                                                                               |
|-----------|-------------------------------------------------------------------------------------------------------------------------------------------|
| get       | Returns the current setting.                                                                                                              |
| set       | Sets the time window within which failed logins can lead to account lockout. Time is measured in hours. Valid values are: off and {1..24} |

### Feedback Examples

- loginwindowduration get  
returns  
loginwindowduration 2
- loginwindowduration set 1  
returns  
loginwindowduration 1
- loginwindowduration set off  
returns  
loginwindowduration off

### Comments

- When the HDX system is powered off, the time window within which failed logins can lead to account lockout is still in effect.
- Login window duration begins at the first failed login attempt and lasts until the login window duration expires or the user successfully logs in.
- If loginwindowduration is set to off, the user is locked out after consecutive failures regardless of the time window.

## marqueedisplaytext

Sets or gets the text to display in the dialing entry field on the Place a Call screen.

### Syntax

```
marqueedi splaytext get
marqueedi splaytext set "text"
```

| Parameter | Description                                                                                                                                                 |
|-----------|-------------------------------------------------------------------------------------------------------------------------------------------------------------|
| get       | Returns the current marquee display text.                                                                                                                   |
| set       | Sets the text to display in the dialing entry field followed by the text to use. Enclose the string in quotation marks if it includes spaces.               |
| "text"    | Text to display. Enclose the character string in quotation marks if it includes spaces. If "text" is omitted, the system automatically sets it to Wel come. |

### Feedback Examples

- ```
marqueedi splaytext set "Select an entry from the di rectory."
returns
marqueedi splaytext "Select an entry from the di rectory."
```
- ```
marqueedi splaytext get
returns
marqueedi splaytext "Select an entry from the di rectory."
```



## maxgabinternationalcallspeed

Sets or gets the maximum speed for international ISDN calls made from the global directory. This command is only applicable if you have an ISDN network interface connected to your system.

### Syntax

```
maxgabinternationalcallspeed get
maxgabinternationalcallspeed set "valid speed"
```

| Parameter     | Description                                                                          |
|---------------|--------------------------------------------------------------------------------------|
| get           | Returns the current valid speed.                                                     |
| set           | Sets the maximum speed for international calls when followed by a valid speed value. |
| "valid speed" | Valid speeds are: 2x64, 128, 256, 384, 512, 768, 1024, and 1472 kbps.                |

### Feedback Examples

- maxgabinternationalcallspeed set 128  
returns  
maxgabinternationalcallspeed 128
- maxgabinternationalcallspeed get  
returns  
maxgabinternationalcallspeed 128

## maxgabinternetcallspeed

Sets or gets the maximum speed for Internet (IP/H.323) calls made from the global directory.

### Syntax

```
maxgabinternetcallspeed get
maxgabinternetcallspeed set "valid speed"
```

| Parameter     | Description                                                                     |
|---------------|---------------------------------------------------------------------------------|
| get           | Returns the current valid speed.                                                |
| set           | Sets the maximum speed for Internet calls when followed by a valid speed value. |
| "valid speed" | Valid speeds are: 128, 256, 384, 512, 768, 1024, and 1472 kbps.                 |

### Feedback Examples

- maxgabinternetcallspeed set 384  
returns  
maxgabinternetcallspeed 384
- maxgabinternetcallspeed get  
returns  
maxgabinternetcallspeed 384

## maxgabisdnncallspeed

Sets or gets the maximum speed for ISDN (H.320) calls made from the global directory. This command is only applicable if you have an ISDN network interface connected to your system.

### Syntax

```
maxgabi sdncai l speed get
maxgabi sdncai l speed set "val i d speed"
```

| Parameter       | Description                                                                 |
|-----------------|-----------------------------------------------------------------------------|
| get             | Returns the current valid speed.                                            |
| set             | Sets the maximum speed for ISDN calls when followed by a valid speed value. |
| "val i d speed" | Valid speeds are: 56, 64, 128, 256, 384, 512, 768, 1024, and 1472 kbps.     |

### Feedback Examples

- maxgabi sdncai l speed set 384  
returns  
maxgabi sdncai l speed 384
- maxgabi sdncai l speed get  
returns  
maxgabi sdncai l speed 384

## maxtimeincall

Sets or gets the maximum number of minutes allowed for call length.

### Syntax

```
maxtimeincall get
maxtimeincall set [{0..999}]
```

| Parameter | Description                                                                                                                                                                                |
|-----------|--------------------------------------------------------------------------------------------------------------------------------------------------------------------------------------------|
| get       | Returns the current setting.                                                                                                                                                               |
| set       | Sets the maximum time for calls when followed by a parameter from {0..999}. To erase the current setting, omit the time parameter or set it to 0. The call will then stay up indefinitely. |
| {0..999}  | Maximum call time in minutes. Must be an integer in the range {0..999}.                                                                                                                    |

### Feedback Examples

- ```
maxtimeincall set
returns
maxtimeincall <empty>
```
- ```
maxtimeincall set 180
returns
maxtimeincall 180
```
- ```
maxtimeincall get
returns
maxtimeincall 180
```

Comments

When the time has expired in a call, a message asks you if you want to hang up or stay in the call. If you do not answer within one minute, the call automatically disconnects.

mcupassword

Enters and sends the MCU password to the MCU.

Syntax

```
mcupassword [ "password" ]
```

Parameter	Description
password	Specifies the password to send to the MCU.

meetingpassword

Sets the meeting password.

Syntax

```
meetingpassword set ["password"]
```

Parameter	Description
set	Sets the meeting password if followed by the password parameter. To erase the current setting, omit the password parameter.
"password"	User-defined password. Valid characters are: A through Z (lower and uppercase), -, _, @, /, ;, ,, ., \, and 0 through 9. The length is limited to 33 characters. The password cannot include spaces.

Feedback Examples

- ```
meetingpassword set psswd
returns
meetingpassword psswd
```
- ```
meetingpassword set "My psswd"
returns
error: command has illegal parameters
```

Comments

To receive a notification that the password has failed, you must use the `popupinfo register` command to register the current API session to receive popup text.

See Also

See also the related [popupinfo](#) command on page 4-268.

monitor1 (deprecated)

Sets or gets the aspect ratio for Monitor 1. With the implementation of the [configdisplay](#) command on page 4-77, this command has been deprecated.

Syntax

```
moni tor1 <get|4:3|16:9|vga>
```

Parameter	Description
get	Returns the current setting.
4:3 16:9	Sets the display aspect ratio to 4:3 (standard) or 16:9 (wide screen).
vga	Sets the display to VGA and causes the system to restart.

Feedback Examples

- `moni tor1 4:3`
returns
`moni tor1 4:3`
- `moni tor1 16:9`
returns
`moni tor1 16:9`
- `moni tor1 get`
returns
`moni tor1 16:9`

See Also

See the [configdisplay](#) command on page 4-77.

monitor1screensaveroutput

Sets or gets whether to send either black video or "No Signal" to Monitor 1 when the screen saver activates.

Syntax

```
monitor1screensaveroutput <get|black|no_signal >
```

Parameter	Description
get	Returns the current setting.
black	Sends black video to Monitor 1 when the system goes to sleep and the screen saver activates.
no_signal	Sends no signal to Monitor 1 when the system goes to sleep and the screen saver activates.

Feedback Examples

- ```
monitor1screensaveroutput black
returns
monitor1screensaveroutput black
```
- ```
monitor1screensaveroutput no_signal
returns
monitor1screensaveroutput no_signal
```
- ```
monitor1screensaveroutput get
returns
monitor1screensaveroutput no_signal
```

### See Also

See the [monitor2screensaveroutput](#) command on page 4-238.



## monitor2 (deprecated)

Sets or gets the aspect ratio for Monitor 2. With the implementation of the [configdisplay](#) command on page 4-77, this command has been deprecated.

### Syntax

```
moni tor2 off
moni tor2 <get|4:3|16:9>
moni tor2 vga
```

| Parameter | Description                                                    |
|-----------|----------------------------------------------------------------|
| off       | Disables the second monitor output.                            |
| get       | Returns the current setting.                                   |
| 4:3 16:9  | Sets the aspect ratio to 4:3 (standard) or 16:9 (wide screen). |
| vga       | Sets the display to VGA.                                       |

### Feedback Examples

- moni tor2 off  
returns  
moni tor2 off
- moni tor2 16:9  
returns  
moni tor2 16:9
- moni tor2 get  
returns  
moni tor2 16:9

### See Also

See the [configdisplay](#) command on page 4-77.

## monitor2screensaveroutput

Sets or gets whether to send either black video or "No Signal" to Monitor 2 when the screen saver activates.

### Syntax

```
monitor2screensaveroutput <get|black|no_signal >
```

| Parameter | Description                                                                                  |
|-----------|----------------------------------------------------------------------------------------------|
| black     | Sends black video to Monitor 2 when the system goes to sleep and the screen saver activates. |
| no_signal | Sends no signal to Monitor 2 when the system goes to sleep and the screen saver activates.   |
| get       | Returns the current setting.                                                                 |

### Feedback Examples

- ```
monitor2screensaveroutput black
returns
monitor2screensaveroutput black
```
- ```
monitor2screensaveroutput no_signal
returns
monitor2screensaveroutput no_signal
```
- ```
monitor2screensaveroutput get
returns
monitor2screensaveroutput no_signal
```

See Also

See the [monitor1screensaveroutput](#) command on page 4-236.

mpautoanswer

Sets or gets the Auto Answer Multipoint Video mode, which determines how the system will handle an incoming call in a multipoint video conference.

Syntax

mpautoanswer <get|yes|no|donotdi sturb>

Parameter	Description
get	Returns the current setting.
yes	Connects incoming video calls automatically. The screen will split into a multipoint call progress screen as the incoming call is answered.
no	For an incoming video call, the user will be notified and given the choice to answer the call. If the user selects Yes, the call is added to the ongoing conference. If the user selects No, the call is rejected. The default is No.
donotdi sturb	The user is not notified of incoming video calls. The sites that placed the calls receive a Far Site Busy (H.320) or Call Rejected (H.323) code.

Feedback Examples

- mpautoanswer yes
returns
mpautoanswer yes
- mpautoanswer no
returns
mpautoanswer no
- mpautoanswer get
returns
mpautoanswer no
- mpautoanswer donotdi sturb
returns
mpautoanswer donotdi sturb

Comments

If mpautoanswer is set to no or donotdi sturb, you must rely on API session notifications to answer inbound calls.

mpmode

Sets or gets the multipoint conference viewing mode for the system in a multipoint call. The multipoint mode can be set to auto, discussion, presentation, or fullscreen. By default, it is set to auto.

Syntax

```
mpmode <get|auto|di scussi on|presentati on|ful l screen>
```

Parameter	Description
get	Returns the current setting.
auto	In Auto mode, the system switches between Full Screen Mode and Discussion mode, depending on the interaction between the sites. If one site is talking uninterrupted for 15 seconds or more, the speaker appears full screen.
presentati on	In Presentation mode, the person who is speaking appears full screen to the far sites, while the person who is speaking sees all the other sites on a split screen.
di scussi on	In Discussion mode (also called Continuous Presence mode), every site sees all the sites in the meeting at the same time, on a split screen.
ful l screen	In Full Screen mode, every site in the call sees the current speaker, or the latest person to speak, on the full screen.

Feedback Examples

- mpmode auto
returns
mpmode auto
- mpmode di scussi on
returns
mpmode di scussi on
- mpmode get
returns
mpmode di scussi on

Comments

This option is not available unless the multipoint option is enabled.

What you see during a multipoint call can depend on many factors such as the system's monitor configuration, the number of sites in the call, whether content is shared, and whether dual monitor emulation is used.

mtumode

Sets or gets the MTU mode. The `mtumode` and `mtusize` commands allow you to change the Maximum Transmission Unit (MTU) size, to adjust for the best interoperability with the host network. Set `mtumode` to `specify`, then use `mtusize` to specify a value. If `mtumode` is set to `default`, the system automatically sets the MTU value to 1260.

Syntax

```
mtumode <get|default|specify>
```

Parameter	Description
get	Returns the current setting.
default	Sets the Maximum Transmission Unit size to the default value of 1260.
specify	Allows you to specify a Maximum Transmission Unit size other than the default setting.

Feedback Examples

- ```
mtumode default
returns
mtumode default
```
- ```
mtumode specify
returns
mtumode specify
```
- ```
mtumode get
returns
mtumode specify
```
- ```
mtusize 660
returns
mtusize 660
```
- ```
mtumode foo
returns
error: command has illegal parameters
```

### See Also

See also the related [mtusize](#) command on page [4-243](#).

## mtusize

Sets or gets the MTU size. The `mtumode` and `mtusize` commands allow you to change the Maximum Transmission Unit (MTU) size, to adjust for the best interoperability with the host network. Set `mtumode` to `specify`, then use `mtusize` to specify a value. If `mtumode` is set to `default`, the system automatically sets the MTU value to 1260.

### Syntax

```
mtusize <get|660|780|900|1020|1140|1260|1500>
```

| Parameter                       | Description                                           |
|---------------------------------|-------------------------------------------------------|
| get                             | Returns the current setting.                          |
| 660 780 900 1020 1140 1260 1500 | Sets the value of the Maximum Transmission Unit size. |

### Feedback Examples

- `mtumode specify`  
returns  
`mtumode specify`
- `mtusize 660`  
returns  
`mtusize 660`
- `mtusize 1140`  
returns  
`mtusize 1140`
- `mtusize get`  
returns  
`mtusize 1140`

### See Also

See also the related [mtumode](#) command on page 4-242.

## mute

Sets or gets the near or far site mute settings.

### Syntax

```
mute <register|unregister>
mute near <get|on|off|toggle>
mute far get
```

| Parameter  | Description                                                                        |
|------------|------------------------------------------------------------------------------------|
| register   | Registers to receive notification when the mute mode changes.                      |
| unregister | Disables register mode.                                                            |
| near       | Sets the command for the near site. Requires on, off, toggle, or get.              |
| get        | Returns the current setting for the near or far site.                              |
| on         | Mutes the near site (mute near on).                                                |
| off        | Unmutes the near site (mute near off).                                             |
| toggle     | If mute near mode is mute near on, this switches to mute near off, and vice versa. |
| far        | Returns the mute state of the far site system. Requires the parameter get.         |

### Feedback Examples

- mute register  
returns  
mute registered
- mute near on  
returns  
mute near on
- mute far get  
returns  
mute far off

### Comments

In register mode, the system sends notification to the API session when the far or near site is muted or unmuted.



## **muteautoanswer**

Sets or gets the Mute Auto Answer Calls mode. When this setting is selected, the microphone is muted to prevent the far site from hearing the near site when the system answers automatically.

### **Syntax**

muteautoanswer <get|yes|no>

| <b>Parameter</b> | <b>Description</b>                                                                                                                |
|------------------|-----------------------------------------------------------------------------------------------------------------------------------|
| get              | Returns the current setting.                                                                                                      |
| yes              | Enables Mute Auto Answer Calls mode. The microphone will be muted when the system receives a call while in Auto Answer mode.      |
| no               | Disables Mute Auto Answer Calls mode. The microphone will not be muted when the system receives a call while in Auto Answer mode. |

### **Feedback Examples**

- muteautoanswer yes  
returns  
muteautoanswercalls yes
- muteautoanswer no  
returns  
muteautoanswercalls no
- muteautoanswer get  
returns  
muteautoanswercalls no

## natconfig

Sets or gets the NAT configuration.

### Syntax

```
natconfig <get|auto|manual |off>
```

| Parameter | Description                                                                                                                                      |
|-----------|--------------------------------------------------------------------------------------------------------------------------------------------------|
| get       | Returns the current setting.                                                                                                                     |
| auto      | Specifies that the system is behind a NAT; specifies that the system will automatically discover the public (WAN) address.                       |
| manual    | Specifies that the system is behind a NAT. Requires the WAN address to be assigned using the <a href="#">wanipaddress</a> command on page 4-363. |
| off       | Disables the option when the system is not behind a NAT.                                                                                         |

### Feedback Examples

- natconfig auto  
returns  
natconfig auto
- natconfig manual  
returns  
natconfig manual
- natconfig off  
returns  
natconfig off
- natconfig get  
returns  
natconfig off

## nath323compatible

Sets or gets the **NAT is H.323 Compatible** setting.

### Syntax

```
nath323compatible <get|yes|no>
```

| Parameter | Description                                                     |
|-----------|-----------------------------------------------------------------|
| get       | Returns the current setting.                                    |
| yes       | Specifies that NAT is capable of translating H.323 traffic.     |
| no        | Specifies that NAT is not capable of translating H.323 traffic. |

### Feedback Examples

- nath323compatible yes  
returns  
nath323compatible yes
- nath323compatible no  
returns  
nath323compatible no
- nath323compatible get  
returns  
nath323compatible no

## nearloop

Activates or deactivates the Near End Loop test.

### Syntax

nearloop <on|off>

| Parameter | Description                                                          |
|-----------|----------------------------------------------------------------------|
| on        | Activates the Near End Loop, a complete internal test of the system. |
| off       | Deactivates the Near End Loop.                                       |

### Feedback Examples

- nearloop on  
returns  
nearloop on
- nearloop off  
returns  
nearloop off

### Comments

When Near End Loop is on, you can test the encoder/decoder on the system. This test is not available when you are in a call.

## netstats

Returns network statistics for each call.

### Syntax

netstats [{0..n}]

| Parameter | Description                                                                                                                                                                                          |
|-----------|------------------------------------------------------------------------------------------------------------------------------------------------------------------------------------------------------|
| {0..n}    | Call in a multipoint call, where n is the maximum number of calls supported by the system. 0 is the first site connected. If no call is specified, netstats returns information about the near site. |

### Feedback Examples

- netstats 2  
returns  
call: 1 txrate: 128 K rxrate: 128 K pktloss: 0 %pktloss: 0.0 %  
tvp: H. 263  
rvp: H. 263 tvf: CIF rvp: CIF tap: G. 722. 1 rap: G. 722. 1 tcp: H. 323  
rcp: H. 323  
where:  
txrate=transmit clock rate  
rxrate=receive clock rate  
pktloss=number of packet loss/errors  
%pktloss=percentage of packet loss/errors  
tvp=transmit video protocol  
rvp=receive video protocol  
tvf=transmit video format  
rvf=receive video format  
tap=transmit audio protocol  
rap=receive audio protocol  
tcp=transmit comm protocol  
rcp=receive comm protocol

## nonotify

Unregisters the API client to receive status notifications.

### Syntax

```
nonoti fy <cal l status|capti ons|l i nestatus|mutestatus|screenchanges>
nonoti fy <sysstatus|sysal erts|vi dsourcechanges>
```

| Parameter          | Description                                                                                    |
|--------------------|------------------------------------------------------------------------------------------------|
| cal endarmeeti ngs | Stops the system from receiving meeting reminders.                                             |
| cal l status       | Stops the system from receiving changes in call status, such as a connection or disconnection. |
| capti ons          | Stops the system from capturing closed captions as they appear on the screen.                  |
| l i nestatus       | Stops the system from receiving line status notifications.                                     |
| mutestatus         | Stops the system from receiving changes in audio mute status.                                  |
| screenchanges      | Stops the system from receiving notification when a user interface screen is displayed.        |
| sysstatus          | Stops the system from receiving system status notifications.                                   |
| sysal erts         | Stops the system from receiving system alerts.                                                 |
| vi dsourcechanges  | Stops the system from receiving notification of camera source changes.                         |

### Feedback Examples

- nonoti fy cal l status  
returns  
nonoti fy cal l status success
- If entered again,  
nonoti fy cal l status  
returns  
i nfo: event/noti fi cation not active: cal l status
- nonoti fy cal endarmeeti ngs  
returns  
nonoti fy cal endarmeeti ngs success

### See Also

See the related [notify](#) command on page 4-251.

## notify

Lists the notification types that are currently being received, or registers to receive status notifications.

### Syntax

```
notify
notify <callstatus|captions|linestatus|mutestatus|screenchanges>
notify <sysstatus|sysalerts|vidsourcechanges>
notify calendarmeetings
```

| Parameter        | Description                                                                                                                                                                                                                                                                                                         |
|------------------|---------------------------------------------------------------------------------------------------------------------------------------------------------------------------------------------------------------------------------------------------------------------------------------------------------------------|
| notify           | Lists the notification types that are currently being received, in the following format:<br>registered for <num><br>notification[: notification type]...                                                                                                                                                            |
| calendarmeetings | Registers the API client to receive meeting reminders.                                                                                                                                                                                                                                                              |
| callstatus       | Registers the system to receive changes in call status, such as a connection or disconnection, in the following format:<br>notification: callstatus: <call direction>: <call id>: <far site name>: <far site number>: <connection status>: <call speed>: <status-specific cause code from call engine>: <call type> |
| captions         | Registers the system to capture closed captions as they appear on the screen, in the following format:<br>notification: caption: <"caption string">                                                                                                                                                                 |
| linestatus       | Registers the system to receive line status notifications as they occur, in the following format:<br>notification: linestatus: <direction>: <call id>: <line id>: <channel id>: <connection status>                                                                                                                 |
| mutestatus       | Registers the system to receive changes in audio mute status, in the following format:<br>notification: mutestatus: <near or far>: <call id>: <site name>: <site number>: <mute status>                                                                                                                             |
| screenchanges    | Registers the system to receive notification when a user interface screen is displayed, in the following format:<br>notification: screenchange: <screen name>: <screen def name>                                                                                                                                    |

| Parameter         | Description                                                                                                                                                                                               |
|-------------------|-----------------------------------------------------------------------------------------------------------------------------------------------------------------------------------------------------------|
| sysstatus         | Registers the system to receive system status notifications, in the following format:<br>noti fi cati on: sysstatus: <sys parameter name>: <val ue1>[: <val ue2>. . . ]                                   |
| sysal erts        | Registers the system to receive system alerts, in the following format:<br>noti fi cati on: sysal ert: <al ert name>: <val ue1>[: <val ue2>. . . ]                                                        |
| vi dsourcechanges | Registers the system to receive notification of camera source changes, in the following format:<br>noti fi cati on: vi dsourcechange: <near or far>: <camera i ndex>: <camera name>: <peopl e or content> |

### Feedback Examples

- noti fy mutestatus  
returns  
noti fy mutestatus success  
acknowledging that the session is now registered to receive mutestatus notifications
- noti fy call status  
returns  
noti fy call status success  
acknowledging that the session is now registered to receive callstatus notifications
- If entered again,  
noti fy call status  
returns  
i nfo: event/noti fi cati on al ready acti ve: call status
- noti fy  
returns  
regi stered for 2 noti fi cati ons: mutestatus:
- noti fy cal endarmeeti ngs  
returns  
noti fy cal endarmeeti ngs success

The following are examples of notifications that may be returned after registering to receive them.

- noti fi cati on: call status: outgoing: 34: Polycom HDX Demo: 192. 168. 1. 101: connected: 384: 0: vi deocal l
- noti fi cati on: mutestatus: near: near: near: near: muted
- noti fi cati on: screenchange: systemsetup: systemsetup\_a



- noti fi cati on: vi dsourchange: near: 1: Mai n: peopl e
- noti fi cati on: l i nestatus: outgoi ng: 32: 0: 0: di sconnecte d
- noti fi cati on: vi dsourchange: near: 6: ppci p: cont ent
- noti fi cati on: vi dsourchange: near: none: none: cont ent
- noti fi cati on: cal endarmeeti ngs:  
AAAaAEFsZXguTWFj RG9uYWxkQHBvbHI j b20uY29tAVEACI j Mne2/ndgARgA  
AAADr9GI hsSj WEZBcAAKzMphJBwA4wi cbtr3UEZArAKAk09LtAAACZpKWAA  
De7hJI eQI OS7j 2mzRJxkLKAAADI /G8AAAQ:Product PI anni ng: 10

## Comments

The `noti fy cal l status` command registers the current API session for call status notifications. The API client receives call status notifications as a call progresses.

Registration for status notifications is session-specific. For example, registering for alerts in a Telnet session does not return alerts in a simultaneous RS-232 session with the same system.

The `noti fy capti ons` command registers the current API session to receive notifications as closed captions are displayed. If closed captions are dropped for some reason, no notification is received. This command is typically used for capturing captions being displayed for archival purpose.

Duplicate registrations produce another success response. The notify setting remains in effect, even if you restart the system or update the software with system settings saved.

## See Also

See also the [nonotify](#) command on page 4-250 and the [callinfo](#) command on page 4-61.

## ntpmode

Sets or gets the mode of the system's Network Time Protocol (NTP) server. NTP server time is used to ensure synchronized time data in the local Call Detail Report.

### Syntax

```
ntpmode <get|auto|off|manual >
```

| Parameter | Description                                                                          |
|-----------|--------------------------------------------------------------------------------------|
| get       | Returns the current time server mode.                                                |
| auto      | Automatically selects an NTP server from the Internet.                               |
| off       | Turns off the use of an NTP server.                                                  |
| manual    | Lets you specify a server using the <a href="#">ntpserver</a> command on page 4-256. |

### Feedback Examples

- ntpmode auto  
returns  
ntpmode auto
- ntpmode off  
returns  
ntpmode off
- ntpmode manual  
returns  
ntpmode manual
- ntpmode get  
returns  
ntpmode manual

### See Also

See the [ntpserver](#) command on page 4-256.

## ntpsecondaryserver

Sets or gets a secondary Network Time Protocol (NTP) server using the IP address or DNS name of the server.

### Syntax

```
ntpsecondaryserver get
ntpsecondaryserver set ["xxx.xxx.xxx.xxx"|"server name"]
```

| Parameter         | Description                                                                                                                                                             |
|-------------------|-------------------------------------------------------------------------------------------------------------------------------------------------------------------------|
| get               | Gets the IP address of the secondary NTP server.                                                                                                                        |
| set               | Sets the IP address of the secondary NTP server when followed by a valid parameter. To erase the current setting, omit the ["xxx.xxx.xxx.xxx" "server name"] parameter. |
| "xxx.xxx.xxx.xxx" | The IP address of the secondary NTP server.                                                                                                                             |
| "server name"     | The DNS name of the secondary NTP server                                                                                                                                |

### Feedback Examples

- ntpsecondaryserver set  
returns  
ntpsecondaryserver <empty>
- ntpsecondaryserver set 172.26.44.22  
returns  
ntpsecondaryserver 172.26.44.22
- ntpsecondaryserver get  
returns  
ntpsecondaryserver 172.26.44.22

### Comments

The primary NTP server must be configured in order to configure the secondary NTP server

### See Also

[ntpserver](#) on page 4-256.

## ntpserver

Sets or gets an Network Time Protocol (NTP) server, using the IP address or the DNS name of the server.

### Syntax

```
ntpserver get
ntpserver set ["xxx.xxx.xxx.xxx"|"server name"]
```

| Parameter         | Description                                                                                                                                                   |
|-------------------|---------------------------------------------------------------------------------------------------------------------------------------------------------------|
| get               | Gets the IP address of the NTP server.                                                                                                                        |
| set               | Sets the IP address of the NTP server when followed by a valid parameter. To erase the current setting, omit the ["xxx.xxx.xxx.xxx" "server name"] parameter. |
| "xxx.xxx.xxx.xxx" | The IP address of the NTP server.                                                                                                                             |
| "server name"     | The DNS name of the NTP server.                                                                                                                               |

### Feedback Examples

- ntpserver set  
returns  
ntpserver <empty>
- ntpserver set 192.168.1.205  
returns  
ntpserver 192.168.1.205
- ntpserver get  
returns  
ntpserver 192.168.1.205

### Comments

This command allows you to use an internal time server and thus synchronize the system's time with the time on your internal network. The system uses this time only for the local Call Detail Report.

### See Also

[ntpsecondaryserver](#) command on page 4-255.

## numberofmonitors (deprecated)

Returns the number of display monitors configured. With the implementation of the [configdisplay](#) command on page 4-77, this command has been deprecated.

### Syntax

```
numberofmonitors get
```

### Feedback Examples

- ```
numberofmonitors get
```

 returns

```
numberofmonitors 1
```

 when one monitor is configured for display
- ```
numberofmonitors get
```

 returns  

```
numberofmonitors 2
```

 when two monitors are configured for display

### See Also

The recommended command for accessing display configuration is the [configdisplay](#) command on page 4-77. For example, to determine the state of Monitor 2, use `configdisplay monitor2 get`.

## numdigitsdid

Sets or gets the number of digits in the DID Gateway number (E.164 dialing).

### Syntax

```
numdi gi t sdi d <get|{0..24}>
```

| Parameter | Description                                    |
|-----------|------------------------------------------------|
| get       | Returns the current setting.                   |
| {0..24}   | Specifies the number of digits in DID numbers. |

### Feedback Examples

- numdi gi t sdi d 7  
returns  
numdi gi t sdi d 7
- numdi gi t sdi d get  
returns  
numdi gi t sdi d 7

### Comments

The number of digits in the DID is that portion of the full DID that the Gateway will be given from the ISDN service provider as the Called Party Line Identifier. This, in turn, will be passed to the Gatekeeper for address resolution.

## numdigitsext

Sets or gets the number of digits in the Number+Extension Gateway number (E.164 dialing).

### Syntax

```
numdigitsext <get|{0..24}>
```

| Parameter | Description                                                                                                                       |
|-----------|-----------------------------------------------------------------------------------------------------------------------------------|
| get       | Returns the current setting.                                                                                                      |
| {0..24}   | The number of digits in the gateway number if <a href="#">gatewaynumbertype</a> command on page 4-149 is set to number+extension. |

### Feedback Examples

- numdigitsext 10  
returns  
numdigitsext 10
- numdigitsext get  
returns  
numdigitsext 10

### Comments

The number of digits in that number is that portion of the full Number+Extension number that the Gateway will be given from the ISDN service provider as the Called Party Line Identifier. This, in turn, will be passed to the Gatekeeper for address resolution.

## ocsdirectory

Enable Polycom HDX systems to retrieve and display the Microsoft Office Communications Server contact list and to disable other global directory services.

### Syntax

```
ocsdi rectory <get|yes|no>
```

| Parameter | Description                                                                                             |
|-----------|---------------------------------------------------------------------------------------------------------|
| get       | Returns the current setting.                                                                            |
| yes       | Enables the Microsoft Office Communications Server 2007 directory server.                               |
| no        | Disables the Microsoft Office Communications Server 2007 directory server. This is the default setting. |

### Feedback Examples

- ocsdi rectory get  
returns  
ocsdi rectory yes
- ocsdi rectory no  
returns  
ocsdi rectory no

### Comments

Polycom HDX systems must be registered with the Microsoft Office Communications Server 2007 directory server to enable the Microsoft Office Communications Server 2007 directory service.



Polycom software versions 3.0 and later also support Microsoft Lync Server 2010. Refer to the *Administrator's Guide for Polycom HDX Systems* for more information.

Each Polycom HDX system supports a single global directory server at any given time. Therefore, enabling the Microsoft Office Communications Server 2007 automatically disables any other enabled global directory server, such as the Polycom GDS or LDAP directory server.



If more than one global directory is defined on a system, the following rules apply when you upgrade the system software:

- If the Microsoft Office Communications Server 2007 directory server and another directory server are defined on the system, the Microsoft Office Communications Server 2007 directory server becomes the default directory server after upgrading the system software.
- If the Polycom GDS directory server and another directory server (not the Microsoft Office Communications Server 2007 directory server) are defined on the system, the Polycom GDS directory server becomes the default directory server after upgrading the system software.

## **oobcomplete**

Completes the setup wizard and restarts the Polycom HDX system.

### **Syntax**

```
oobcomplete
```

### **Feedback Examples**

```
oobcomplete
returns
oobcomplete
```

### **Comments**

The `oobcomplete` command is processed only when the Polycom HDX system is in setup wizard mode.

To execute `oobcomplete` successfully, the Polycom HDX system name must be configured.

## pause

Pauses the command interpreter before executing the next command. Pauses are useful when commands are retrieved from a script file.

### Syntax

```
pause {0. . 65535}
```

| Parameter    | Description                 |
|--------------|-----------------------------|
| {0. . 65535} | Number of seconds to pause. |

### Feedback Examples

- `pause 3`  
returns  
pausi ng for 3 seconds
- `pause 0`  
returns  
pausi ng for 0 seconds

## peoplevideoadjustment

Sets or gets the people video adjustment setting.

### Syntax

peoplevideoadjustment <get|normal|stretch|zoom>

| Parameter | Description                                                                                                                                                                                                    |
|-----------|----------------------------------------------------------------------------------------------------------------------------------------------------------------------------------------------------------------|
| get       | Returns the current setting.                                                                                                                                                                                   |
| normal    | Preserves the aspect ratio of the source video. The image is scaled (if necessary) to the largest supported resolution that fits on the display without cropping.                                              |
| stretch   | Does not preserve aspect ratio. The image is scaled horizontally and vertically to exactly match the resolution of the display.                                                                                |
| zoom      | Preserves the aspect ratio of the source video. The image is scaled to exactly match one of the display dimensions while matching or exceeding the other display dimension. The image is centered and cropped. |

### Feedback Examples

- ```
peoplevideoadjustment zoom
returns
peoplevideoadjustment zoom
```
- ```
peoplevideoadjustment stretch
returns
peoplevideoadjustment stretch
```
- ```
peoplevideoadjustment normal
returns
peoplevideoadjustment normal
```
- ```
peoplevideoadjustment get
returns
peoplevideoadjustment normal
```

# phone

Flashes the analog phone line.

## Syntax

```
phone <cl ear|fl ash>
```

| Parameter | Description                            |
|-----------|----------------------------------------|
| cl ear    | Clears phone number from the text box. |
| fl ash    | Sends flash hook to a POTS connection. |

## See Also

Use the [flash](#) command on page [4-135](#) to specify a call ID.

## pip

Sets or gets the on-screen PIP mode. The PIP feature allows the near site to adjust near-camera views while in a video conference.

### Syntax

```
pip <get|on|off|camera|swap|register|unregister|location>
pip location <get|0|1|2|3>
```

| Parameter  | Description                                                                                                                                                                                            |
|------------|--------------------------------------------------------------------------------------------------------------------------------------------------------------------------------------------------------|
| get        | Returns the current setting.                                                                                                                                                                           |
| on         | Enables PIP mode. The system shows a PIP window that remains in the lower right corner of the screen until the video call is completed.                                                                |
| off        | Disables PIP mode.                                                                                                                                                                                     |
| camera     | Causes the PIP window to appear when the selected camera position is changed. The PIP window disappears when the camera has finished moving.                                                           |
| swap       | Toggles the content of the PIP and the main display between the near-site and far-site view.                                                                                                           |
| register   | Registers the system to give notification when PIP is turned on or off.                                                                                                                                |
| unregister | Unregisters the system to give notification when PIP is turned on or off.                                                                                                                              |
| location   | Places the PIP window in the specified corner of the screen:<br>0 = bottom right corner<br>1 = top right corner<br>2 = top left corner<br>3 = bottom left corner<br>get = Returns the current location |

### Feedback Examples

- pip on  
returns  
pip on
- pip swap  
returns  
pip swapped

- pip location get  
returns  
pip location 1
- pip register  
returns  
pip registered

## popupinfo

Registers or unregisters the session to receive popup text and button choices text.

### Syntax

popupinfo <get|register|unregister>

| Parameter  | Description                               |
|------------|-------------------------------------------|
| register   | Registers to receive popup information.   |
| unregister | Unregisters to receive popup information. |
| get        | Returns the current setting.              |

### Feedback Examples

- popupinfo register  
returns  
popupinfo registered
- popupinfo unregister  
returns  
popupinfo unregistered
- popupinfo get  
returns  
popupinfo unregistered

The following examples show notifications that may be returned after registering to receive popup text and button choices text.

- popupinfo: question: Sorry. Cannot dial number because you are already in a call with the site.
- popupinfo: choice0: Ok  
is returned if a call fails
- popupinfo: question: Save Changes?  
popupinfo: choice0: Yes  
popupinfo: choice1: No  
popupinfo: answered: Yes  
is returned if the user edits the password field



## preset

Sets the presets or goes (moves) to the presets for the near or far camera source. Also registers or unregisters the API session to give notification when the user sets or goes to presets.

### Syntax

```

preset <register|unregister>
preset register get
preset far <go|set> <{0..15}>
preset near <go|set> <{0..99}>

```

| Parameter        | Description                                                                                                                                                                     |
|------------------|---------------------------------------------------------------------------------------------------------------------------------------------------------------------------------|
| register         | Registers the system to give notification when the user or far site sets or goes to a preset. Returns the current preset registration state when followed by the get parameter. |
| unregister       | Disables register mode.                                                                                                                                                         |
| far              | Specifies the far camera. Requires a set or go parameter and a preset identifier.                                                                                               |
| go               | Moves the camera to a camera preset. Requires a "preset" parameter.                                                                                                             |
| set              | Sets a camera preset. Requires a "preset" parameter.                                                                                                                            |
| {0..15}, {0..99} | Camera preset identifier. Must be an integer in the range {0..15} for a far-site camera or {0..99} for a near-site camera.                                                      |
| near             | Specifies the near camera. Requires a set or go parameter and a preset identifier.                                                                                              |

### Feedback Examples

- preset register  
returns  
preset registered
- preset near go 1  
returns  
preset near go 1  
and moves the near-site camera to the preset 1 position
- preset near set 2  
returns  
preset near set 2  
and saves the current location/position of the near-site camera as preset 2

## Comments

Up to 100 preset camera positions can be set. These camera presets can be distributed across the far camera and up to four near-site cameras.

## pricallbycall

Sets or gets the PRI call-by-call value. This command is only applicable if you have a PRI network interface connected to your system.

### Syntax

```
pricallbycall get
pricallbycall set {0..31}
```

| Parameter | Description                                                  |
|-----------|--------------------------------------------------------------|
| get       | Returns the current setting.                                 |
| set       | Sets PRI call-by-call when followed by a value from {0..31}. |
| {0..31}   | Range of call-by-call values.                                |

### Feedback Examples

- ```
pricallbycall set 1
returns
pricallbycall 1
```
- ```
pricallbycall get
returns
pricallbycall 1
```

### Comments

Call-by-call is a number from 0 to 31, which is optionally sent to an upstream telephone company switch, if required. For example, specify a value of 6 for a T1 PRI network interface module that is directly connected to an ATT 5ESS switch, which is provisioned with Accunet. You must consult with the telephone company service provider to determine whether a call-by-call value is required for a particular PRI line. For most cases, the default value of 0 is correct. Always use the value 0 when connected to a PBX. A non-zero value should not be required in Europe. Values greater than 31 are reserved for internal use and must not be used.

## prichannel

Sets or gets the PRI channels that will be active for the PRI line. This command is only applicable if you have a PRI network interface connected to your system.

### Syntax

```

pri channel get all
pri channel get {1..n}
pri channel set all
pri channel set {1..n} <on|off>

```

| Parameter | Description                                                                                            |
|-----------|--------------------------------------------------------------------------------------------------------|
| get       | Returns the current setting. Requires a parameter from <all   {1..n}>.                                 |
| all       | Selects all PRI channels and returns all channels and settings similar to <code>brill enable</code> .  |
| {1..n}    | Range of available PRI channels. For PRI T1, the range is 1..23. For PRI E1, the range is 1..30.       |
| set       | Sets the PRI channels to be active when followed by a parameter from <all   {1..n}> and from <on off>. |
| on        | Activates the selected PRI channels.                                                                   |
| off       | Disables the selected PRI channels.                                                                    |

### Feedback Examples

- ```

pri channel 1 set on
returns
pri channel 1 on

```
- ```

pri channel set 23 off
returns
pri channel 23 off

```
- ```

pri channel get 23
returns
pri channel 23 off

```

Important PRI Channel Information

Outgoing Call. For an outgoing call, the system uses the first active and available channel starting with the lowest number from the channel range (1-23 for a PRI T1 and 1-30 for a PRI E1). If an additional channel is needed, the system chooses the next incremental number. For example, if channels 1

through 7 are inactive, but 8 is active and available, then 8 is the first channel that can be used by the system to place an outgoing call. If an additional channel is needed, the system will use the next available active channel in the range (which could be 9, and so on).

Incoming Calls. For incoming calls, the system may use the highest numbered channel in the range and, if needed, proceed to the next channel number in descending order, depending on the type of third-party equipment attached to the system. For example, an incoming call arrives on channel 23, then 22, 21, and so on.

Dedicated full PRI T1 or E1 Line. All channels should be active for a full T1 or E1 line dedicated to your system.

Fractional PRI T1 or E1. Channel selection should be handled by your PRI network administrator.

PRI E1 Channel Information. The PRI Status screen (for E1) shows 30 channels. However, E1 trunk lines have 32 timeslots, numbered 0 - 31. Timeslot 0 is used for framing, and timeslot 16 is used for call signaling (the D channel). The remaining 30 timeslots are used as bearer (data) channels. In call signaling between our equipment and the switch, these channels are numbered 1-15, 17-31. But the PRI Status screen numbers these channels contiguously in the range 1-30. Therefore, on the PRI Status screen, channels 1-15 control the status of timeslots 1-15, and channels 16-30 control the status of timeslots 17-31.

pricsu

Sets or gets the PRI CSU mode for a T1 interface.

Syntax

```
pricsu <get|internal|external >
```

Parameter	Description
get	Returns the current setting.
internal	Sets the internal CSU mode. This is the default.
external	Sets the external CSU mode. When selected, you must specify the PRI line buildout.

Feedback Examples

- pricsu internal
returns
pricsu internal
- pricsu external
returns
pricsu external
- pricsu get
returns
pricsu external

Comments

By default, the T1 PRI network interface module is set for internal CSU mode.

See Also

The PRI line buildout for a T1 interface is set using the [prilinebuildout](#) command on page [4-277](#).

pridialchannels

Sets or gets the number of PRI channels to dial in parallel. This command is only applicable if you have a PRI network interface connected to your system.

Syntax

```
pridialchannels get
pridialchannels set {1..n}
```

Parameter	Description
set	Sets the number of PRI channels to be dialed in parallel when followed by a parameter from {1..n}. To erase the current setting, omit the parameter.
get	Returns the current number of channels dialed in parallel.
{1..n}	Range of numbers of PRI channels that can be dialed in parallel. For PRI T1, the range is 1..12. For PRI E1, the range is 1..15.

Feedback Examples

- ```
pridialchannels set 3
returns
pridialchannels 3
```
- ```
pridialchannels get
returns
pridialchannels 3
```

Comments

By default, ISDN channels are dialed three at a time. On PRI systems, you can choose the number of channels to dial in parallel.

priintlprefix

Sets or gets the PRI international dialing prefix.

Syntax

```
pri intl prefix get  
pri intl prefix set ["prefix"]
```

Parameter	Description
get	Returns the current setting.
set	Sets the PRI international dialing prefix when followed by the parameter "prefix". To erase the current setting, omit the parameter.
"prefix"	Numeric string.

Feedback Examples

- ```
pri intl prefix set 011
returns
pri intl prefix 011
```
- ```
pri intl prefix get  
returns  
pri intl prefix 011
```

Comments

The international prefix defaults to 011 for North America and 00 for European countries. The default depends on the country.

prilinebuildout

Sets or gets the PRI line buildout for a T1 interface.

Syntax

```
prilinebuildout get
prilinebuildout set <0|-7.5|-15|-22.5>
prilinebuildout set <0-133|134-266|267-399|400-533|534-665>
```

Parameter	Description
get	Returns the current setting.
set	Sets the PRI line buildout. It requires an output "attenuation in dB" or an "attenuation in feet".
0 -7.5 -15 -22.5	Output attenuation values in dB. For internal CSUs.
0-133 134-266 267-399 400-533 534-665	Output attenuation values in feet. For external CSUs.

Feedback Examples

- ```
prilinebuildout set -7.5
returns
prilinebuildout -7.5
```
- ```
prilinebuildout get
returns
prilinebuildout -7.5
```

Comments

If you are using an internal CSU, enter the output attenuation in dB. If you are using an external CSU, enter the output attenuation in feet.

See Also

The PRI CSU mode for a T1 interface is set using the [pricsu](#) command on page [4-274](#).

prilinesignal

Sets or gets the PRI line signal.

Syntax

```
prilinesignal get
prilinesignal set <esf/b8zs|crc4/hdb3|hdb3>
```

Parameter	Description
get	Returns the current PRI line signal setting.
set	Sets the PRI line signal. It requires one of the following parameters: <code>esf/b8zs</code> , <code>crc4/hdb3</code> , <code>hdb3</code>
esf/b8zs	A method of signal encoding used with a T1 interface. This is the only choice for T1. This value actually chooses both a framing format and an encoding method. Legacy frame formats, such as D4, are not supported. In addition, older encoding methods, such as B7ZS, are not supported.
crc4/hdb3	A method of signal encoding used with an E1 interface. This is the default value. Data is encoded using HDB3 to ensure proper one-density, and CRC4 error checking is enabled on both transmit and receive.
hdb3	A method of signal encoding used with an E1 interface. CRC4 error checking is disabled.

Feedback Examples

- ```
prilinesignal set esf/b8zs
returns
prilinesignal esf/b8zs
```
- ```
prilinesignal get
returns
prilinesignal esf/b8zs
```

prinumberingplan

Sets or gets the PRI numbering plan. This command is only applicable if you have a PRI network interface connected to your system.

Syntax

```
pri numberi ngpl an <get|i sdn|unknown>
```

Parameter	Description
get	Returns the current setting.
i sdn	With this parameter, the numbering plan is identified to the upstream switch as ISDN, and the number type, which is either national or international, is determined from the dialed phone number. If the dialed phone number starts with the international dialing prefix that is currently selected, the type is set to the international and the prefix is removed from the number before the number is sent to the upstream switch. Otherwise, the number is marked as national and passed to the upstream switch without modification.
unknown	This is the default selection. With this parameter, the numbering plan and number type are sent to the upstream as unknown, and the dialed phone number is sent without notification. The unknown parameter is preferred and should work with all properly configured PBXs and with most telephone company switches. A notable exception in North America is an ATT 5ESS switch, which is provisioned with Accunet, or an ATT 4ESS switch. For these switches, set the numbering type to ISDN.

Feedback Examples

- ```
pri numberi ngpl an i sdn
returns
pri numberi ngpl an i sdn
```
- ```
pri numberi ngpl an unknown
returns
pri numberi ngpl an unknown
```
- ```
pri numberi ngpl an get
returns
pri numberi ngpl an unknown
```

## prioutsideline

Sets or gets the PRI number that is dialed for outside line access.

### Syntax

```
pri outsi del i ne get
pri outsi del i ne set ["outsi de_l i ne"]
```

| Parameter         | Description                                                                                                                                 |
|-------------------|---------------------------------------------------------------------------------------------------------------------------------------------|
| get               | Returns the current setting.                                                                                                                |
| set               | Sets the outside-line-access PRI number when followed by the parameter "outsi de_l i ne". To erase the current setting, omit the parameter. |
| "outsi de_l i ne" | Numeric string. This number is provided by your network service provider.                                                                   |

### Feedback Examples

- pri outsi del i ne set 9  
returns  
pri outsi del i ne 9
- pri outsi del i ne get  
returns  
pri outsi del i ne 9

### Comments

This number is needed if your system is on a PBX.

## priswitch

Sets or gets the PRI switch.

### Syntax

```

pri swi tch get
pri swi tch set <att5ess|att4ess|nortel dms|ni 2>
pri swi tch set <net5/ctr4|ntti ns-1500|ts-038>

```

| Parameter                                                                    | Description                                                                                                                                                                                                                           |
|------------------------------------------------------------------------------|---------------------------------------------------------------------------------------------------------------------------------------------------------------------------------------------------------------------------------------|
| get                                                                          | Returns the current switch protocol.                                                                                                                                                                                                  |
| set                                                                          | Sets the PRI switch. One of the switch protocol parameters is required.                                                                                                                                                               |
| att5ess att4ess  <br>nortel dms ni 2  <br>net5/ctr4  <br>ntti ns-1500 ts-038 | Switch protocol values.<br>For E1, net5/ctr4 is the default. net5/ctr4 is the standard ETSI protocol derived from ITU Q.931.<br>For T1, net5/ctr4 is also provided for certain Asian countries, such as Japan, Hong Kong, and Taiwan. |

### Feedback Examples

- ```

pri swi tch set att5ess
returns
pri swi tch att5ess

```
- ```

pri swi tch get
returns
pri swi tch att5ess

```

### Comments

If more than one switch protocol is supported, you must find out from your telephone service provider which protocol to select. NET5/CTR4 is the default. It is the standard ETSI protocol derived from ITU Q.931. If you change the country settings, a new set of PRI switch protocols is loaded.

## reboot

Restarts the system.

### Syntax

reboot [y|now|n]

| Parameter | Description                               |
|-----------|-------------------------------------------|
| y         | Reboots the system without prompting you. |
| now       | Reboots the system without prompting you. |
| n         | Does not reboot the system.               |

### Feedback Examples

- reboot y  
does not prompt the user to confirm and reboots the system with no other feedback returned
- reboot now  
does not prompt the user to confirm and reboots the system with no other feedback returned
- reboot n  
does not reboot the system and returns  
enter "reboot y" or "reboot now" to initiate system reboot

### Comments

The preferred format is reboot now.

## recentcalls

Returns the list of recent calls.

### Syntax

```
recentcalls
```

### Feedback Examples

- recentcalls  
returns  
"Polycom HDX Demo" 30/Nov/2008 14:39:56 Out  
192.168.1.101 30/Nov/2008 14:40:07 Out  
192.168.1.102 30/Nov/2008 14:40:35 Out  
192.168.1.103 30/Nov/2008 20:27:33 Out  
"John Polycom HDX 9004" 30/Nov/2008 02:13:23 In  
192.168.1.104 30/Nov/2008 02:20:08 In  
192.168.1.105 30/Nov/2008 02:21:40 In  
192.168.1.106 30/Nov/2008 05:53:04 In  
"Mary Polycom HDX 9004" 30/Nov/2008 07:00:19 In

### Comments

Calls returned by the recentcalls command are returned in this format:

Display Name/Start Date/Start Time/Call Direction.

For example:

```
Polycom HDX Demo" 30/Nov/2008 14:39:56/Out
```

The display name value that is returned depends on the type of call.

In outgoing calls:

- If the call is placed from Directory screen or Favorites screen, the Polycom HDX system returns the display name of the endpoint being called.
- If the call is placed from the Place a Call screen, and the number is in the Polycom HDX system directory, the display name of the directory entry is returned. If the number is not in the Polycom HDX system directory, the IP number is returned as the display name.

In incoming calls, if the Polycom HDX system receives caller ID information, or if the the caller number is already in the Polycom HDX system directory, the caller ID name or the Polycom HDX system display name will be returned as the display name. If there is no caller ID information and the number is not in the Polycom HDX system directory, the IP address is returned as the display name.

## registerall (deprecated)

Alias for the **all register** command.

### Syntax

```
registerall
```

### Feedback Examples

```
registerall
returns
callstate registered
camera registered
chaircontrol registered
linestate registered
mute registered
pip registered
popup registered
popuinfo registered
preset registered
screen registered
vbutton registered
volume registered
sleep registered
phone registered
video registered
vcstream registered
vc pod registered
vc lan registered
```

### See Also

This command is an alias for the preferred [all register](#) command on page [4-19](#).

To unregister user feedback, use the [all unregister](#) command on page [4-21](#) or the [unregisterall \(deprecated\)](#) command on page [4-333](#).



## registerthissystem

Sets or gets the system's IP address to be registered and displayed in the global directory when the system is powered on.

### Syntax

```
registerthissystem <get|yes|no>
```

| Parameter | Description                                 |
|-----------|---------------------------------------------|
| get       | Returns the current setting.                |
| yes       | Enables this option (register this system). |
| no        | Disables this option.                       |

### Feedback Examples

- registerthissystem yes  
returns  
registerthissystem yes
- registerthissystem no  
returns  
registerthissystem no
- registerthissystem get  
returns  
registerthissystem no

### Comments

If you do not enable this option, the system has access to the GDS, but the IP address does not appear in the global directory.

## remotecontrol

Set or gets the setting for intercepting signals from the system remote control.

### Syntax

```
remotecontrol disable <get|all|none>
remotecontrol disable "valid button" ["valid button"...]
remotecontrol dontintercept <all|none>
remotecontrol dontintercept "valid button" ["valid button"...]
remotecontrol enable <all|none>
remotecontrol enable "valid button" ["valid button"...]
```

| Parameter       | Description                                                                                                                                                                                                                          |
|-----------------|--------------------------------------------------------------------------------------------------------------------------------------------------------------------------------------------------------------------------------------|
| di sable        | Disables specified remote control button(s) so that the system does not respond.                                                                                                                                                     |
| get             | Returns the current setting.                                                                                                                                                                                                         |
| al l            | All of the remote control buttons.                                                                                                                                                                                                   |
| none            | None of the remote control buttons.                                                                                                                                                                                                  |
| "val id button" | Name of a specific button such as call, hangup, left, right, up, down, select, home, directory, back, zoom-, zoom+, volume-, volume+, mute, far, near, auto, camera, preset, pip, keyboard, delete, ., 0-9, *, #, graphics, or help. |
| enabl e         | Enables specified remote control button(s).                                                                                                                                                                                          |
| power           | Enables or disables the <b>Power</b> button on the remote control.                                                                                                                                                                   |

### Feedback Examples

- remotecontrol disable all  
returns  
remotecontrol disable all success
- remotecontrol disable get  
returns  
disabl ed 1 buttons: pi p

### Comments

Remote control disable commands do not persist across the power cycle.

## remotemonenable

Gets the state of remote room and call monitoring.

### Syntax

```
remotemonenable <get>
```

### Feedback Examples

- remotemonenable get  
returns  
remotemonenable on
- remotemonenable get  
returns  
remotemonenable off

## requireacctnumtodial

Enables or disables the **Require Account Number to Dial** option. It is used to log calls to a specific account so that they can be tracked and billed to the appropriate departments.

### Syntax

```
requi reacctnumtodi al <get|yes|no>
```

| Parameter | Description                  |
|-----------|------------------------------|
| get       | Returns the current setting. |
| yes       | Enables the option.          |
| no        | Disables the option.         |

### Feedback Examples

- requi reacctnumtodi al yes  
returns  
requi reacctnumtodi al yes
- requi reacctnumtodi al no  
returns  
requi reacctnumtodi al no
- requi reacctnumtodi al get  
returns  
requi reacctnumtodi al no

### Comments

When this option is selected, you cannot make a call without first entering an account number. This account number is saved in the Global Management System server database along with information specific to the call. Typically, the Global Management System administrator assigns the account number.

## resetsystem

Resets the system and, optionally, deletes system settings or local address book entries.

### Syntax

```
resetsystem [del etesystemsetti ngs]
[del etel ocal di rectory][del etecdr][del etel ogs][del etecerti fi cates]
```

| Parameter                | Description                                                                                                       |
|--------------------------|-------------------------------------------------------------------------------------------------------------------|
| del etesystemsetti ngs   | Resets all configuration settings to default values.                                                              |
| del etel ocal di rectory | Deletes all local directory entries from the address book.                                                        |
| del etecdr               | Deletes the CDR file from the /opt/polycom/cdr directory after copying the contents of the file to the trace log. |
| del etel ogs             | Deletes the system logs.                                                                                          |
| del etecerti fi cates    | Deletes all certificates from the system.                                                                         |

### Feedback Examples

- ```
resetsystem
returns
resetsystem
```
- ```
resetsystem del etesystemsetti ngs
returns
resetsystem del etesystemsetti ngs
```
- ```
resetsystem del etel ocal di rectory
returns
resetsystem del etel ocal di rectory
```
- ```
resetsystem del etecdr
returns
resetsystem del etecdr
```
- ```
resetsystem del etesystemsetti ngs del etel ocal di rectory
del etecdr
returns
resetsystem del etesystemsetti ngs del etel ocal di rectory
del etecdr
```
- ```
resetsystem del etel ogs
returns
resetsystem del etel ogs
```

- `resetsystem del etecertificates`  
returns  
`resetsystem del etecertificates`

## roomphonenumber

Sets or gets the number of the phone that is located in the same room as the system.

### Syntax

```
roomphonenumber get
roomphonenumber set ["number"]
```

| Parameter | Description                                                                                                                                         |
|-----------|-----------------------------------------------------------------------------------------------------------------------------------------------------|
| get       | Returns the current setting.                                                                                                                        |
| set       | Sets the room phone number when followed by the "number" parameter. To erase the current setting, omit the "number" parameter.                      |
| "number"  | Phone number for a telephone (not the system) in the room. Use quotation marks around the number if it contains spaces. For example: "408 555 2323" |

### Feedback Examples

- ```
roomphonenumber set
returns
roomphonenumber <empty>
```
- ```
roomphonenumber set "408 555 2323"
returns
roomphonenumber 408.555.2323
```
- ```
roomphonenumber get
returns
roomphonenumber 408.555.2323
```

Comments

If the system is managed by the Global Management System software, this number will be provided to the Global Management System administrator if the person using the system requests help.

rs232 baud, rs232port1 baud

The `rs232 baud` command sets or gets the baud rate for the first RS-232 port. For systems with two serial ports, use `rs232port1 baud` to set the rate for the second serial port.

Syntax

```
rs232 baud <get|9600|14400|19200|38400|57600|115200>
```

```
rs232port1 baud <get|9600|14400|19200|38400|57600|115200>
```

Parameter	Description
get	Returns the current baud rate setting.
9600 14400 19200 38400 57600 115200	Sets the RS-232 port to this baud rate.

Feedback Examples

- `rs232 baud 9600`
returns
`rs232 baud 9600`
- `rs232 baud get`
returns
`rs232 baud 9600`
- `rs232port1 baud 14400`
returns
`rs232port1 baud 14400`
- `rs232port1 baud get`
returns
`rs232port1 baud 14400`

rs232 mode, rs232port1 mode

The `rs232 mode` command sets or gets the operational mode of the first RS-232 port. For systems with two serial ports, use `rs232port1 mode` to set the mode for the second serial port.

Syntax

```
rs232 mode <get|passthru|control|debug|camera_ptz|closed_capti on|
vortex_mi xer|cps|i nteracti ve_touch_board|pol ycom_annotati on|
smartboard|poi ntmaker>
rs232port1 mode <get|passthru|control|debug|camera_ptz|closed_capti on|
vortex_mi xer|cps|i nteracti ve_touch_board|pol ycom_annotati on|
smartboard|poi ntmaker>
```

Parameter	Description
get	Returns the current mode setting.
passthru	Sets the RS-232 port to Pass Thru mode.
contol	Sets the RS-232 port to Control mode.
debug	Sets the RS-232 port to Debug mode.
camera_ptz	Sets the RS-232 port to Camera PTZ mode.
cl osed_capti on	Sets the RS-232 port to Closed Caption mode.
vortex_mi xer	Sets the RS-232 port to Vortex Mixer mode.
i nteracti ve_touch_ board	Sets the RS-232 port to Interactive Touch Board mode.
smartboard	Sets the RS-232 port to Interactive Touch Board mode (to control a Polycom SMART board device).
pol ycom_annotati on	Sets the RS-232 port to Polycom Annotation mode.
cps poi ntmaker	Reserved for future applications.

Feedback Examples

- `rs232 mode control`
returns
`rs232 mode control`
- `rs232port1 mode cl osed_capti on`
returns
`rs232port1 mode cl osed_capti on`

- `rs232port1 mode get`
returns
`rs232port1 mode closed_capti on`

rs366dialing

Sets or gets RS-366 dialing. This command is only applicable if you have a V.35 network interface connected to your system.

Syntax

```
rs366di al i ng <get |on|off>
```

Parameter	Description
get	Returns the current setting.
on	Enables RS-366 dialing.
off	Disables RS-366 dialing.

Feedback Examples

- rs366di al i ng on
returns
rs366di al i ng on
- rs366di al i ng off
returns
rs366di al i ng off
- rs366di al i ng get
returns
rs366di al i ng off

Comments

Enable this option if you want to call from the system through the DCE connection to the far-site video conferencing system. Disable this option if you are using your DCE to dial the call or if you have a dedicated connection to the far site.

rt

Sets or gets the RT serial interface control signal (receive timing: clock). This command is only applicable if you have a V.35 network interface connected to your system.

Syntax

rt <get|normal|i nverted>

Parameter	Description
get	Returns the current setting.
normal	Sets the signal to normal (rising edge receives data).
i nverted	Sets the signal to inverted (falling edge receives data).

Feedback Examples

- rt normal
returns
rt normal
- rt i nverted
returns
rt i nverted
- rt get
returns
rt i nverted

Comments

The default setting is normal .

rts

Sets or gets the RTS serial interface control signal (request to send). This command is only applicable if you have a V.35 network interface connected to your system.

Syntax

```
rts <get|normal|i nverted>
```

Parameter	Description
get	Returns the current setting.
normal	Sets the signal to normal (high voltage is logic 1).
i nverted	Sets the signal to inverted (low voltage is logic 1).

Feedback Examples

- rts normal
returns
rts normal
- rts i nverted
returns
rts i nverted
- rts get
returns
rts i nverted

Comments

The default setting is "normal".

screen

Returns the name of the current user interface screen on the system, registers or unregisters for screen changes, or goes to a specific user interface screen.

Syntax

```
screen
screen register get
screen [register|unregister]
screen "screen_name"
```

Parameter	Description
screen	Returns the name of the current user interface screen if not followed by other parameters.
register	Registers for user interface screen changes. In register mode, the name of every screen accessed is listed.
get	Returns the registration state for screen change events when followed by the get parameter.
unregister	Unregisters from user interface screen changes.
"screen_name"	Changes the user interface to display the specified screen. The supported screens depend on the system configuration. To determine the name to use for a specific screen, navigate to that screen in the user interface and send the screen command.

Feedback Examples

- screen
returns
screen: adminsettings
if the Admin Settings screen is currently displayed in the user interface
- screen register
returns
screen registered
- screen monitors
returns
screen: monitors
and displays the Monitors screen in the user interface

screencontrol

Disables or enables navigation to specified user interface screens of the system.

Syntax

```
screencontrol enable <all|none|"screen_name">
screencontrol disable <all|none|"screen_name">
```

Parameter	Description
enable	Enables navigation to the specified user interface screen(s).
all	All of the user interface screens.
none	None of the user interface screens.
"screen_name"	Name of a specific user interface screen.
disable	Disables navigation to the specified user interface screen(s).

Feedback Examples

- screencontrol enable all
returns
screencontrol enable all success
- screencontrol disable adminsettings
returns
screencontrol disable adminsettings success
and disables navigation to the Admin Settings screen of the user interface
- screencontrol disable none
returns
screencontrol disable none success
and reverses all screen disable commands
- screencontrol disable main
returns
error: screen "main" unknown
screencontrol disable main failed
if "main" is an unknown screen name

See Also

Refer to the [screen](#) command on page 4-298 for details about accessing screen names.

serialnum

Returns the serial number of the system.

Syntax

serial num

Feedback Examples

- serial num
returns
serial num 82065205E72EC1

servervalidatepeercert

Enables certificate validation by specifying whether the HDX system requires a browser to present a valid certificate when it tries to connect to the HDX web interface.

Syntax

```
servervalidatepeercert get  
servervalidatepeercert <yes|no>
```

Parameter	Description
get	Returns the peer certificate validation setting for web servers.
yes	Enables peer certificate validation requirement for web servers.
no	Disables peer certificate validation requirement for web servers.

Feedback Examples

- `servervalidatepeercert get`
returns
`servervalidatepeercert no`
- `servervalidatepeercert yes`
returns
`servervalidatepeercert yes`

Comments

After making a change, you must restart the system for the setting to take effect.

session

Names or finds an active API session.

Syntax

session name "session-name"

session find "session-name"

Parameter	Description
name	Names the current API session.
find	Finds an active API session for this system.
session-name	Unique string that identifies the session.

Feedback Examples

- session name sessionone
returns
session name sessionone success
- If entered again,
session name sessionone
returns
info: the supplied session name is already in use
session name sessionone failed
- session find sessionone
info: session sessionone attached
- session find sessiontwo
info: session sessiontwo not connected

sessionsenabled

Sets or gets the ability to monitor for and terminate inactive Polycom HDX web sessions.

Syntax

```
sessi onsenabl ed get  
sessi onsenabl ed <yes|no>
```

Parameter	Description
get	Returns the current setting for web sessions monitoring.
yes	Enables web session monitoring.
no	Disables web session monitoring.

Feedback Examples

- sessi onsenabl ed get
returns
sessi onsenabl ed yes
- sessi onsenabl ed yes
returns
sessi onsenabl ed yes

Comments

When sessionsenabled is set to yes, and a web session is started, the user must log in to each subsequent web request during the session.

setaccountnumber

Sets the account number when it is required for dialing out.

Syntax

```
setaccountnumber "account number"
```

Parameter	Description
"account number"	Number that is needed to validate the account before dialing out. To erase the current setting, omit this parameter.

Feedback Examples

- setaccountnumber 1234
returns
setaccountnumber 1234

Comments

The account number is saved in the Global Management System database and is generally assigned by the Global Management System administrator. The [requireacctnumtodial](#) command on page 4-288 and the [validateacctnum](#) command on page 4-347 must be enabled for this command to work. When you make a call, you will be prompted to enter your account number.

See Also

See the related [requireacctnumtodial](#) command on page 4-288 and [validateacctnum](#) command on page 4-347.

setpassword

Sets the admin password for the Polycom HDX system local admin account.

Syntax

```
setpassword admin room "currentacctpasswd" "newacctpasswd"
```

Parameter	Description
admin	Specifies the Polycom HDX system local admin account.
room	Changes the room password.
"currentacctpasswd"	The current account password.
"newacctpasswd"	The new account password.

Feedback Examples

- setpassword admin room 123 456
returns
password changed
- setpassword admin room '' 456
returns
password changed
- setpassword admin room 123 ''
returns
password changed

Comments

If the account has no administrator room password, enter a pair of single quotes (") to denote an empty password.

showpopup

Displays a message box in the user interface.

Syntax

showpopup "text to display"

Parameter	Description
"text to display"	Message to display to users. Enclose the text in quotation marks if it contains a space.

Feedback Examples

- showpopup "The conference will resume in three minutes."
returns
showpopup "The conference will resume in three minutes."
and displays the message box in the user interface

Comments

Sending this command displays the message as a popup dialog in the user interface, along with an alert tone.

sleep

Puts the system in sleep mode within 15 seconds and returns sleep.

Syntax

```
sl eep
sl eep <regi ster|unregi ster>
```

Parameter	Description
sl eep	Puts the system in sleep mode if not followed by other parameters.
regi ster	Registers for sleep or wake events.
unregi ster	Unregisters from sleep or wake events.

Feedback Examples

- sl eep
returns
sl eep
and puts the system in sleep mode within 15 seconds
- sl eep regi ster
returns
sl eep regi stered
- If entered again,
sl eep regi ster
returns
i nfo: event/noti fi cati on al ready acti ve: sl eep
- sl eep unregi ster
returns
sl eep unregi stered
- If entered again,
sl eep unregi ster
returns
i nfo: event/noti fi cati on not acti ve: sl eep

See Also

To wake the system from sleep mode, use the [wake](#) command on page [4-362](#).

sleptext

Sets or gets the text to be displayed with the logo for 15 seconds as the system goes into sleep mode.

Syntax

```
sleptext get
sleptext set ["text"]
```

Parameter	Description
get	Returns the current text.
set	Sets the text to be displayed on the screen saver when followed by the "text" parameter. To erase the current setting, omit "text".
"text"	Screen saver text to be displayed when the system is in sleep mode. Enclose the text in quotation marks if it includes spaces.

Feedback Examples

- ```
sleptext set
returns
sleptext <empty>
```
- ```
sleptext set "Pick up the remote control to use the system"
returns
sleptext "Pick up the remote control to use the system"
```


sleeptime

Sets or gets the wait time value before the system goes to sleep and displays the screen saver.

Syntax

```
sleeptime <get|0|1|3|15|30|60|120|240|480>
```

Parameter	Description
get	Returns the current setting.
0 1 3 15 30 60 120 240 480	Sets the number of minutes from last user interaction to entering sleep mode. The default value is 3. A value of 0 indicates that the system will never go to sleep.

Feedback Examples

- sleeptime 30
returns
sleeptime 30

snmpadmin

Sets or gets the SNMP administrator name.

Syntax

```
snmpadmin get
snmpadmin set ["admin name"]
```

Parameter	Description
get	Returns the current setting.
set	Sets the administrator name when followed by the "admin name" parameter. To erase the current setting, omit "admin name".
"admin name"	SNMP administrator contact name. Character string. Enclose the character string in quotation marks if it includes spaces. Example: "John Admin"

Feedback Examples

- snmpadmin set
returns
error: command needs more parameters to execute successfully
- snmpadmin set "John Admin"
returns
snmpadmin "John Admin"
- snmpadmin get
returns
snmpadmin "John Admin"

Comments

After making a change, you must restart the system for the setting to take effect.

snmpcommunity

Sets or gets the SNMP community name.

Syntax

```
snmpcommuni ty get  
snmpcommuni ty set ["communi ty name"]
```

Parameter	Description
get	Returns the current setting.
set	Sets the SNMP community name when followed by the "communi ty name" parameter. To erase the current setting, omit the parameter.
"communi ty name"	SNMP community name. Character string. Enclose the character string in quotation marks if it includes spaces.

Feedback Examples

- snmpcommuni ty set
returns
snmpcommuni ty <empty>
- snmpcommuni ty set Public
returns
snmpcommuni ty Public
- snmpcommuni ty get
returns
snmpcommuni ty Public

Comments

After making a change, you must restart the system for the setting to take effect.

snmpconsoleip

Sets or gets the SNMP console IP address.

Syntax

```
snmpconsoleip get
snmpconsoleip set ["xxx.xxx.xxx.xxx"]
```

Parameter	Description
get	Returns the current setting.
set	Sets the SNMP console IP address when followed by the "xxx.xxx.xxx.xxx" parameter. To erase the current setting, omit the parameter.
"xxx.xxx.xxx.xxx"	IP address of the console.

Feedback Examples

- ```
snmpconsoleip set
returns
snmpconsoleip <empty>
```
- ```
snmpconsoleip set 192.168.1.111
returns
snmpconsoleip 192.168.1.111
```
- ```
snmpconsoleip get 192.168.1.111
returns
snmpconsoleip 192.168.1.111
```

### Comments

After making a change, you must restart the system for the setting to take effect.

# snmplocation

Sets or gets the SNMP location name.

## Syntax

```
snmplocation get
snmplocation ["location name"]
```

| Parameter       | Description                                                                                                                               |
|-----------------|-------------------------------------------------------------------------------------------------------------------------------------------|
| get             | Returns the current setting.                                                                                                              |
| "location name" | SNMP location name. Enclose the location name in quotation marks if it includes spaces. To erase the current setting, omit the parameter. |

## Feedback Examples

- snmplocation  
returns  
snmplocation <empty>
- snmplocation "Mary\_Polycom in United States"  
returns  
snmplocation "Mary\_Polycom in United States"
- snmplocation get  
returns  
snmplocation "Mary\_Polycom in United States"

## Comments

After making a change, you must restart the system for the setting to take effect.

## snmpsystemdescription

Sets or gets the SNMP system description.

### Syntax

```
snmpsystemdescription get
snmpsystemdescription set ["system description"]
```

| Parameter            | Description                                                                                                                             |
|----------------------|-----------------------------------------------------------------------------------------------------------------------------------------|
| get                  | Returns the current setting.                                                                                                            |
| set                  | Sets the SNMP system description when followed by the "system description" parameter. To erase the current setting, omit the parameter. |
| "system description" | SNMP system description.                                                                                                                |

### Feedback Examples

- snmpsystemdescription set  
returns  
snmpsystemdescription <empty>
- snmpsystemdescription set "videoconferencing system"  
returns  
snmpsystemdescription "videoconferencing system"
- snmpsystemdescription get  
returns  
snmpsystemdescription "videoconferencing system"

### Comments

After making a change, you must restart the system for the setting to take effect.

## snmptrapversion

Sets or gets the SNMP trap version.

### Syntax

```
snmptrapversion get
snmptrapversion set <v1|v2c>
```

| Parameter | Description                                       |
|-----------|---------------------------------------------------|
| get       | Returns the current setting.                      |
| set       | Sets the SNMP trap protocol that the system uses. |
| v1 v2c    | SNMP trap version 1 or version 2c.                |

### Feedback Examples

- snmptrapversion set v1  
returns  
snmptrapversion v1
- snmptrapversion set v2c  
returns  
snmptrapversion v2c
- snmptrapversion get  
returns  
snmptrapversion v2c

### Comments

After making a change, you must restart the system for the setting to take effect.

## soundeffectsvolume

Sets, gets, or tests the volume level of the ring tone and user alert tone on the system.

### Syntax

```
soundeffectsvolume get
soundeffectsvolume set {0..10}
soundeffectsvolume test
```

| Parameter | Description                                                                              |
|-----------|------------------------------------------------------------------------------------------|
| get       | Returns the current setting along with a test tone from the system at that volume level. |
| set       | Sets the volume of sound effects. Requires a volume parameter in the range {0..10}.      |
| test      | Tests the volume of sound effects.                                                       |

### Feedback Examples

- `soundeffectsvolume set 6`  
returns  
`soundeffectsvolume 6`
- `soundeffectsvolume get`  
returns  
`soundeffectsvolume 6`
- `soundeffectsvolume test`  
returns  
`soundeffectsvolume test`  
and a tone is produced by the system



## spidnum

Sets or gets the ISDN SPID numbers assigned to the BRI lines used by the system. This command is only applicable if you have a BRI network interface connected to your system.

### Syntax

```
spi dnum get <al l | 1b1 | 1b2 | 2b1 | 2b2 | 3b1 | 3b2 | 4b1 | 4b2>
```

```
spi dnum set <1b1 | 1b2 | 2b1 | 2b2 | 3b1 | 3b2 | 4b1 | 4b2> ["spi d number"]
```

| Parameter                                     | Description                                                                                                                                                                                                                                                                               |
|-----------------------------------------------|-------------------------------------------------------------------------------------------------------------------------------------------------------------------------------------------------------------------------------------------------------------------------------------------|
| get                                           | Returns the current SPID number associated with a B channel of a particular line.                                                                                                                                                                                                         |
| al l                                          | Returns SPIDs for all channels of all lines.                                                                                                                                                                                                                                              |
| 1b1   1b2   2b1   2b2   3b1   3b2   4b1   4b2 | The line and B channel. Valid values are:<br>1b1BRI line 1, B channel 1<br>1b2BRI line 1, B channel 2<br>2b1BRI line 2, B channel 1<br>2b2BRI line 2, B channel 2<br>3b1BRI line 3, B channel 1<br>3b2BRI line 3, B channel 2<br>4b1BRI line 4, B channel 1<br>4b2BRI line 4, B channel 2 |
| set                                           | Sets the SPID number for a B channel line when followed by the "number" parameter. To erase the current setting, omit "number". This parameter is not allowed while in a call.                                                                                                            |
| "spi d number"                                | Numeric string. SPID numbers are generally provided by your network service provider.                                                                                                                                                                                                     |

### Feedback Examples

- ```
spi dnum get al l
returns
spi dnum 1b1 7005551212
spi dnum 1b2 7005552323
spi dnum 2b1 7005553434
spi dnum 2b2 7005554545
spi dnum 3b1 7005555656
spi dnum 3b2 7005556767
spi dnum 4b1 7005557878
spi dnum 4b2 7005558989
if 4 lines with channels 1b1 through 4b2 are attached in the above format.
```

- spi dnum set 1b1
returns
spi dnum 1b1 <empty>
- spi dnum set 1b1 7005551212
returns
spi dnum 1b1 7005551212

Comments

SPIDs generally apply only in the United States and Canada. If you are behind an internal phone system (PBX), SPIDs may not be required.

st

Sets or gets the st serial interface control signal (send timing: clock) setting. This command is only applicable if you have a V.35 network interface connected to your system.

Syntax

```
st <get|normal|i nverted>
```

Parameter	Description
get	Returns the current setting.
normal	Sets the signal to normal (falling edge sends data).
i nverted	Sets the signal to inverted (rising edge sends data).

Feedback Examples

- st normal
returns
st normal
- st i nverted
returns
st i nverted
- st get
returns
st i nverted

Comments

The default setting is "normal".

sslverificationdepth

Specifies how many links a certificate chain can have.

Syntax

```
ssl verificationdepth get  
ssl verificationdepth set {0..12}
```

Parameter	Description
get	Returns the current setting.
set {0..12}	Sets the number of links a certificate chain can have. Valid values are {0..12}.

Feedback Examples

- ssl verificationdepth get
returns
ssl verificationdepth 3
- ssl verificationdepth set 5
returns
ssl verificationdepth 5

Comments

After making a change, you must restart the system for the setting to take effect.

subnetmask

Sets or gets the subnet mask of the system.

Syntax

```
subnetmask get
subnetmask set ["xxx.xxx.xxx.xxx"]
```

Parameter	Description
get	Returns the current subnet mask.
set	Sets the subnet mask of the system when followed by the "xxx.xxx.xxx.xxx" parameter. To erase the current setting, omit "xxx.xxx.xxx.xxx". This parameter is not allowed while in a call.
"xxx.xxx.xxx.xxx"	Subnet mask of the system.

Feedback Examples

- subnetmask set 255.255.255.0
returns
subnetmask 255.255.255.0
- subnetmask get
returns
subnetmask 255.255.255.0

Comments

After making a change, you must restart the system for the setting to take effect.

sysinfo

Sets or gets registration for ISDN, IP, and gatekeeper status notifications.

Syntax

sysinfo <get|register|unregister>

Parameter	Description
get	Returns registration status.
register	Registers the shell session to receive ISDN, IP, and gatekeeper status notifications.
unregister	Unregisters the shell session for ISDN, IP, and gatekeeper status notifications.

Feedback Examples

- sysinfo register
returns
sysinfo registered
- sysinfo unregister
returns
sysinfo unregistered
- sysinfo get
returns
sysinfo unregistered

The following are examples of notifications of status changes in ISDN lines that may be returned after registering to receive sysinfo notifications.

- linestate: isdnl ine[1] down
- linestate: isdnl ine[2] down
- linestate: isdnl ine[3] up
- linestate: isdnl ine[4] up
- linestate: isdnl ine[1] up
- linestate: isdnl ine[3] down
- linestate: isdnl ine[4] down
- linestate: isdnl ine[2] up

systemname

Sets or gets the name of the system.

Syntax

```
systemname get
systemname set "system name"
```

Parameter	Description
get	Returns the current setting.
set	Sets the system name to "system name".
"system name"	Character string specifying the system name. Enclose the string in quotation marks if it includes spaces. Example: "Pol ycom HDX Demo"

Feedback Examples

- ```
systemname set "Pol ycom HDX Demo"
returns
systemname "Pol ycom HDX Demo"
```
- ```
systemname set get
returns
systemname "Pol ycom HDX Demo"
```

Comments

The first character must be a numeric (a digit) or alphabetic (a letter) character including foreign language characters. The name can be any combination of alphanumeric characters and may be up to 30 characters in length. The system name cannot be blank.

systemsetting telnetenabled

Sets or gets the telnet ports.

Syntax

```
systemsetting get telnetenabled  
systemsetting telnetenabled <on|off|port24only>
```

Parameter	Description
get	Returns the current setting.
on	Enables port 23 and port 24.
off	Disables port 23 and port 24.
port24only	Enables port 24 and disables port 23.

Feedback Examples

- systemsetting telnetenabled on
returns
systemsetting telnetenabled on
- systemsetting get telnetenabled
returns
systemsetting telnetenabled on

Comments

After making a change, you must restart the system for the setting to take effect.

If a security profile is enabled on the system, you cannot activate telnet ports.

tcpports

Sets or gets the TCP ports on the system.

Syntax

```
tcpports get
tcpports set [{1024..49150}]
```

Parameter	Description
set	Sets the TCP ports when followed by a value from the range {1024..49150}. To erase the current setting, omit the value. This parameter is not allowed while in a call.
get	Returns the current TCP port setting.

Feedback Examples

- tcpports set 3233
returns
tcpports 3233
- tcpports get
returns
tcpports 3233

Comments

The **Fixed Ports** option on the Firewall screen must be selected for the **TCP Ports** option to be available.

techsupport

Sends your phone number to Global Management System technical support if your system is managed by the Global Management System.

Syntax

techsupport <"phone num">

Parameter	Description
"phone num"	Phone number at which the user of this system will be contacted. To obtain rapid assistance, include the area code with the phone number. Enclose the string in quotation marks if it includes spaces. Example: "408 555 2323"

Feedback Examples

- techsupport "408 555 2323"
returns
techsupport will contact you at 408 555 2323

Comments

The Support icon is visible only when the system is registered with the Polycom Global Management System.

teleareacode

Sets or gets the system's area code.

Syntax

```
tel eareacode get
tel eareacode set ["tel ephone_area_code"]
```

Parameter	Description
get	Returns the current setting.
set	Sets the system's area code when followed by the "tel ephone_area_code" parameter. To erase the current setting, omit the "tel ephone_area_code" parameter.
"tel ephone_area_code"	System's area code.

Feedback Examples

- tel eareacode set
returns
tel eareacode <empty>
- tel eareacode set 408
returns
tel eareacode 408
- tel eareacode get
returns
tel eareacode 408

telnumber

Sets or gets the system's telephone number.

Syntax

```
tel number get
tel number set ["tel ephone_number"]
```

Parameter	Description
get	Returns the current setting.
set	Sets the telephone number when followed by the "tel ephone number" parameter. To erase the current setting, omit the parameter.
"tel ephone_number"	System's telephone number. Enclose the string in quotation marks if it includes spaces. Example: "408 555 2323"

Feedback Examples

- tel number set
returns
tel number <empty>
- tel number set "408 555 2323"
returns
tel number "408 555 2323"
- tel number get
returns
tel number "408 555 2323"

telnetechoel

Sets the echo end-of-line (EOL) characters to the default values of either the API echo or the serial port echo.

Syntax

```
tel netechoel <get | crnl | nl cr>
```

Parameter	Description
get	Returns the current setting for the end of line echo characters.
crnl	Sets the echo EOL characters to <CR><LF>.
nl cr	Sets the echo EOL characters to <LF><CR>.

Feedback Examples

- tel netechoel get
returns
tel netechoel crnl
- tel netechoel crnl
returns
tel netechoel crnl
- tel netechoel nl cr
returns
tel netechoel nl cr

timediffgmt

Sets or gets the time difference from where the system is installed and Greenwich Mean Time (GMT). This allows the Global Management System to view the local time of the managed system.

Syntax

```
ti medi ffgmt <get|{-12:00..+12:00}>
```

Parameter	Description
get	Returns the current setting.
{-12:00..+12:00}	Sets the time difference from GMT to this value. +00:00 is GMT time.

Feedback Examples

- ti medi ffgmt -06:00
returns
ti medi ffgmt -06:00 success
- ti medi ffgmt get
returns
ti medi ffgmt -06:00 success

typeofservice

Sets or gets the type of service for Quality of Service.

Syntax

```
typeofservice <get|i pprecedence|di ffserv>
```

Parameter	Description
get	Returns the current setting.
i pprecedence	Selects IP precedence service.
di ffserv	Selects DiffServ service.

Feedback Examples

- typeofservice di ffserv
returns
typeofservice di ffserv
- typeofservice i pprecedence
returns
typeofservice i pprecedence
- typeofservice get
returns either
typeofservice i pprecedence
or
typeofservice di ffserv

See Also

See the [ipprecaudio](#), [ipprececc](#), [ipprevideo](#) command on page 4-197 and the [diffservaudio](#), [diffservcecc](#), [diffservvideo](#) command on page 4-100.

udpports

Sets or gets the UDP ports on the system.

Syntax

```
udpports get  
udpports set [{1024..49150}]
```

Parameter	Description
get	Returns the current UDP port setting.
set	Sets the UDP ports when followed by a value from the range {1024..49150}. To erase the current setting, omit the value. This parameter is not allowed while in a call.

Feedback Examples

- ```
udpports set 3230
returns
udpports 3230
```
- ```
udpports get  
returns  
udpports 3230
```

Comments

The Fixed Ports option on the Firewall screen must be selected for the UDP Ports option to be available.

unregisterall (deprecated)

Alias for the **all unregister** command.

Syntax

```
unregisterall
```

Feedback Examples

- ```
unregisterall
returns
callstate unregistered
camera unregistered
linestate unregistered
mute unregistered
pip unregistered
popup unregistered
popupinfo unregistered
preset unregistered
screen unregistered
vbutton unregistered
volume unregistered
sleep unregistered
phone unregistered
video unregistered
vstream unregistered
vc pod unregistered
vc lan unregistered
```

### See Also

This command is an alias for the preferred [all unregister](#) command on page 4-21.

To register for user feedback, use the [all register](#) command on page 4-19 or the [registerall \(deprecated\)](#) command on page 4-284.

## usefixedports

Sets or gets the Fixed Ports configuration.

### Syntax

```
usefixedports <get|yes|no>
```

| Parameter | Description                      |
|-----------|----------------------------------|
| get       | Returns the current setting.     |
| yes       | Enables the use of Fixed Ports.  |
| no        | Disables the use of Fixed Ports. |

### Feedback Examples

- usefixedports yes  
returns  
usefixedports yes
- usefixedports no  
returns  
usefixedports no
- usefixedports get  
returns  
usefixedports no

## usegatekeeper

Sets or gets the gatekeeper mode (off, specify, or auto).

### Syntax

usegatekeeper <get|off|speci fy|auto>

| Parameter | Description                                                                                                                                                           |
|-----------|-----------------------------------------------------------------------------------------------------------------------------------------------------------------------|
| get       | Returns the current setting.<br>Note: A gatekeeper is not required to make IP-to-IP LAN calls. In these situations, select the off option.                            |
| off       | Select this option if no gatekeeper is required or if you make IP-to-IP LAN calls.                                                                                    |
| speci fy  | Specifies a gatekeeper.<br>If this option is selected, you must enter the gatekeeper IP address or name using the <a href="#">gatekeeperip</a> command on page 4-144. |
| auto      | Sets the system to automatically find an available gatekeeper.                                                                                                        |

### Feedback Examples

- usegatekeeper off  
returns  
usegatekeeper off
- usegatekeeper speci fy  
returns  
usegatekeeper speci fy
- usegatekeeper auto  
returns  
usegatekeeper auto
- usegatekeeper get  
returns  
usegatekeeper auto

### See Also

See the [gatekeeperip](#) command on page 4-144.

## usepathnavigator

Sets or gets the Polycom PathNavigator™ mode, Polycom ReadManager® SE200 mode, or Polycom Converged Management Application™ (CMA®) mode if the PathNavigator, ReadManager, or Polycom CMA system is used with the Polycom HDX system.

### Syntax

usepathnavigator <get | always | never | required>

| Parameter | Description                                                                                                                                                                                                                                                                                                        |
|-----------|--------------------------------------------------------------------------------------------------------------------------------------------------------------------------------------------------------------------------------------------------------------------------------------------------------------------|
| get       | Returns the current setting.                                                                                                                                                                                                                                                                                       |
| always    | Always use the Conference on Demand feature available with the PathNavigator, ReadManager, or Polycom CMA system to place a multipoint call. Never use the Polycom HDX system's internal multipoint capability.                                                                                                    |
| never     | Never use the Conference on Demand feature available with the PathNavigator, ReadManager, or Polycom CMA system to place a multipoint call. Use the Polycom HDX system's internal multipoint capability instead.                                                                                                   |
| required  | This is the default. When this option is selected, the multipoint call is handled by the Polycom HDX system's internal multipoint capability if possible; otherwise, the multipoint call is handled through the Conference on Demand feature available with the PathNavigator, ReadManager, or Polycom CMA system. |

### Feedback Examples

- usepathnavigator always  
returns  
usepathnavigator always
- usepathnavigator never  
returns  
usepathnavigator never
- usepathnavigator required  
returns  
usepathnavigator required
- usepathnavigator get  
returns  
usepathnavigator required

## Comments

This option is only accessible if the PathNavigator, *ReadiManager*, or Polycom CMA system is used.

The PathNavigator uses the Polycom MGC™ and can handle video conferences with more participants and higher speeds than a Polycom HDX system's internal multipoint capability.

The PathNavigator, *ReadiManager*, and Polycom CMA systems support ad-hoc multipoint video conferencing through the Conference on Demand feature, which allows users to bring multiple endpoints together in a video conference on an unscheduled basis. It allows users to place multipoint video calls to remote participants by only using their names and/or the numbers that correspond to those remote locations.

## useroompassword

Sets or gets the Use Room Password for Remote Access setting.

### Syntax

```
useroompassword get
useroompassword <yes|no>
```

| Parameter | Description                                                                       |
|-----------|-----------------------------------------------------------------------------------|
| get       | Returns the current setting.                                                      |
| no        | Configures the system to use a separate room password and remote access password. |
| yes       | Configures the system to use the same password for room and remote access.        |

### Feedback Examples

- useroompassword yes  
returns  
useroompassword yes
- useroompassword no  
returns  
useroompassword no
- useroompassword get  
returns  
useroompassword no

## v35broadcastmode

Sets or gets the V.35 broadcast mode. This command is only applicable if you have a V.35 network interface connected to your system.

### Syntax

```
v35broadcastmode <get|on|off>
```

| Parameter | Description                                                              |
|-----------|--------------------------------------------------------------------------|
| get       | Returns the current setting.                                             |
| on        | Turns on V.35 broadcast. This parameter is not allowed while in a call.  |
| off       | Turns off V.35 broadcast. This parameter is not allowed while in a call. |

### Feedback Examples

- v35broadcast on  
returns  
v35broadcast on
- v35broadcast off  
returns  
v35broadcast off
- v35broadcast get  
returns  
v35broadcast off

## v35dialingprotocol

Sets or gets the V.35 dialing protocol. This command is only applicable if you have a V.35 network interface connected to your system.

### Syntax

```
v35dialingprotocol <get|rs366>
```

| Parameter | Description                                                                                                        |
|-----------|--------------------------------------------------------------------------------------------------------------------|
| get       | Returns the current setting.                                                                                       |
| rs366     | Enables RS-366 as the dialing protocol. At this time, RS-366 is the only supported dialing protocol on the system. |

### Feedback Examples

- v35dialingprotocol rs366  
returns  
v35dialingprotocol rs366
- v35dialingprotocol get  
returns  
v35dialingprotocol rs366

### Comments

Selecting a dialing protocol is not needed if you are using your DCE to dial the call or if you have a dedicated connection to the far site.



## v35num

Sets or gets the ISDN video numbers assigned to the system. This command is only applicable if you have a V.35 network interface connected to your system.

### Syntax

```
v35num get <1b1|1b2>
```

```
v35num set <1b1|1b2> ["v35 number"]
```

| Parameter    | Description                                                                                                                                                                                                                               |
|--------------|-------------------------------------------------------------------------------------------------------------------------------------------------------------------------------------------------------------------------------------------|
| get          | Returns the current ISDN video number associated with a B channel of a particular line. Requires <1b1 1b2>.                                                                                                                               |
| 1b1 1b2      | B1 and B2 channels:<br>1b1 designates line 1, B channel 1 (B1).<br>1b2 designates line 1, B channel 2 (B2).                                                                                                                               |
| set          | Sets the ISDN video number for a B channel line when followed by a "v35 number" parameter. To erase the current setting, omit the "v35 number" parameter. 1b1 is port 1 and 1b2 is port 2. This parameter is not allowed while in a call. |
| "v35 number" | Numeric string. This is the ISDN video number(s) provided by your network service provider.                                                                                                                                               |

### Feedback Examples

- v35num set 1b1  
returns  
v35num 1b1 <empty>
- v35num set 1b2 7005551212  
returns  
v35num 1b2 7005551212
- v35num get 1b2  
returns  
v35num 1b2 7005551212

### Comments

The 1b1 and 1b2 parameters follow the convention and nomenclature of the user interface and the [isdnum](#) command on page [4-209](#).

## See Also

See the [isdnum](#) command on page [4-209](#).

## v35portsused

Sets or gets the number of ports to use on the V.35/RS-449/RS-530 network interface module.

### Syntax

v35portsused <get|1|1+2>

| Parameter | Description                                                           |
|-----------|-----------------------------------------------------------------------|
| get       | Returns the current setting.                                          |
| 1         | Selects one port for one-channel calls.                               |
| 1+2       | Selects two ports for two-channel calls (2 x 56 kbps or 2 x 64 kbps). |

### Feedback Examples

- v35portsused 1  
returns  
v35portsused 1
- v35portsused 1+2  
returns  
v35portsused 1+2
- v35portsused get  
returns  
v35portsused 1+2

## v35prefix

Sets or gets the V.35 dialing prefix. It assumes that a profile has already been selected.

### Syntax

```
v35prefix get "val id speed"
```

```
v35prefix set "val id speed" ["val ue"]
```

| Parameter      | Description                                                                                                                                                                                                                                                                                                                                                                                                                                                    |
|----------------|----------------------------------------------------------------------------------------------------------------------------------------------------------------------------------------------------------------------------------------------------------------------------------------------------------------------------------------------------------------------------------------------------------------------------------------------------------------|
| get            | Returns the current setting for "val id speed".                                                                                                                                                                                                                                                                                                                                                                                                                |
| set            | Sets the V.35/RS-449/RS-530 prefix when followed by a "val ue" parameter. To erase the current setting, omit the "val ue" parameter.                                                                                                                                                                                                                                                                                                                           |
| "val id speed" | Valid speeds are 56, 64, 2x56, 112, 2x64, 128, 168, 192, 224, 256, 280, 320, 336, 384, 392, 7x64, 504, 512, 560, 576, 616, 640, 672, 704, 728, 768, 784, 832, 840, 14x64, 952, 960, 1008, 1024, 1064, 1088, 1120, 1152, 1176, 1216, 1232, 1280, 1288, 21x64, 1400, 1408, 1456, 1472, 1512, 1536, 1568, 1600, 1624, 1664, 1680, 1728, 28x64, 1856, 1920, all.<br><br>The parameter "al l" lists all the available speeds and their associated dialing prefixes. |
| "val ue"       | V.35/RS-449/RS-530 prefix, which is a function of your DCE. Consult the DCE user guide for information.                                                                                                                                                                                                                                                                                                                                                        |

### Feedback Examples

- v35prefix set 56  
returns  
v35prefix 56 <empty>
- v35prefix set 112 "#005"  
returns  
v35prefix 112 "#005"  
and associates the dialing prefix 005 with the speed 112
- v35prefix get 112  
returns  
v35prefix 112 "#005"

### See Also

See the [v35profile](#) command on page [4-345](#).

## v35profile

Sets or gets a V.35 profile associated with dialing through a DCE. It can also display all the settings (speed, prefix or suffix) of the current profile.

### Syntax

```
v35profile
<get|adtran|adtran_isu512|ascend|ascend_vsx|ascend_max|avaya_mcu|
custom_1|fvc.com|initia|lucent_mcu|madge_tel eos>
```

| Parameter                                                                                                                        | Description                                                                                                                                          |
|----------------------------------------------------------------------------------------------------------------------------------|------------------------------------------------------------------------------------------------------------------------------------------------------|
| get                                                                                                                              | Returns the current profile.                                                                                                                         |
| adtran adtran_isu512 <br>ascend ascend_vsx <br>ascend_max avaya_mcu <br>custom_1 fvc.com <br>initia lucent_mcu <br>madge_tel eos | V.35/RS-449/RS-530 profile (equipment/manufacture) available.<br>Consult your DCE user guide for additional information on setting dialing profiles. |

### Feedback Examples

- v35profile adtran\_isu512  
returns  
v35profile adtran\_isu512  
selects adtran\_isu512 as the profile
- v35profile get  
returns  
v35profile adtran\_isu512

## v35suffix

Sets or gets the V.35 dialing suffix. It assumes that a profile has already been selected.

### Syntax

```
v35suffix get "valid speed"
```

```
v35suffix set "valid speed" ["value"]
```

| Parameter     | Description                                                                                                                                                                                                                                                                                                                                                                                                                                                   |
|---------------|---------------------------------------------------------------------------------------------------------------------------------------------------------------------------------------------------------------------------------------------------------------------------------------------------------------------------------------------------------------------------------------------------------------------------------------------------------------|
| get           | Returns the current setting for valid speed.                                                                                                                                                                                                                                                                                                                                                                                                                  |
| set           | Sets the dialing suffix when followed by a "value" parameter. To erase the current setting, omit the "value" parameter.                                                                                                                                                                                                                                                                                                                                       |
| "valid speed" | Valid speeds are 56, 64, 2x56, 112, 2x64, 128, 168, 192, 224, 256, 280, 320, 336, 384, 392, 7x64, 504, 512, 560, 576, 616, 640, 672, 704, 728, 768, 784, 832, 840, 14x64, 952, 960, 1008, 1024, 1064, 1088, 1120, 1152, 1176, 1216, 1232, 1280, 1288, 21x64, 1400, 1408, 1456, 1472, 1512, 1536, 1568, 1600, 1624, 1664, 1680, 1728, 28x64, 1856, 1920, all.<br><br>The parameter "all" lists all the available speeds and their associated dialing prefixes. |
| "value"       | The dialing suffix, which is a function of your DCE. Consult the DCE user guide for information.                                                                                                                                                                                                                                                                                                                                                              |

### Feedback Examples

- v35suffix set 128  
returns  
v35suffix 128 <empty>
- v35suffix set 128 "#4#2"  
returns  
v35suffix 128 #4#2  
and associates the dialing suffix #4#2 with the speed 128
- v35suffix get 128  
returns  
v35suffix 128 #4#2

### See Also

See the [v35profile](#) command on page [4-345](#).

## validateacctnum

Sets or gets the validation for the Global Management System account number that is used when dialing out.

### Syntax

```
val i dateacctnum <get|yes|no>
```

| Parameter | Description                                                             |
|-----------|-------------------------------------------------------------------------|
| get       | Returns the current setting.                                            |
| yes       | Enables the Global Management System account number validation option.  |
| no        | Disables the Global Management System account number validation option. |

### Feedback Examples

- `val i dateacctnum yes`  
returns  
`val i dateacctnum yes`
- `val i dateacctnum no`  
returns  
`val i dateacctnum no`
- `val i dateacctnum get`  
returns  
`val i dateacctnum no`

### Comments

When the call connects, the system verifies that the account exists with the Global Management System server. If the account does not exist, the call is disconnected.

This option is only available if **Required Account Number to Dial** is enabled.

## vcbutton

Controls a content video source. It can also register or unregister the API session to receive notification of content events.

### Syntax

```
vcbutton play {2..5}
vcbutton <get|stop|register|unregister>
vcbutton map <get|{2..5}>
vcbutton source get
```

| Parameter  | Description                                                                                                                                                                                                                                                                                                                                                                                                                                                                                                                                                                |
|------------|----------------------------------------------------------------------------------------------------------------------------------------------------------------------------------------------------------------------------------------------------------------------------------------------------------------------------------------------------------------------------------------------------------------------------------------------------------------------------------------------------------------------------------------------------------------------------|
| play       | Starts sending the content from the specified content video source. If no content video source is specified, starts sending content from the default content video source. Starts content from any content video source without the need to change source mapping and without needing to stop the currently playing content video source. Fails and does not stop the current content video source if the specified content video source is not valid. Stops the current content video source if the specified content video source is valid but is currently unavailable. |
| {2..5}     | Specifies a content video source.                                                                                                                                                                                                                                                                                                                                                                                                                                                                                                                                          |
| get        | Returns the current setting (play or stop).                                                                                                                                                                                                                                                                                                                                                                                                                                                                                                                                |
| stop       | Stops sending content from the content video source that is currently playing.                                                                                                                                                                                                                                                                                                                                                                                                                                                                                             |
| register   | Registers the API session to receive notifications about content events.                                                                                                                                                                                                                                                                                                                                                                                                                                                                                                   |
| unregister | Unregisters the API session to receive notifications about content events.                                                                                                                                                                                                                                                                                                                                                                                                                                                                                                 |
| map get    | Gets the content video source currently specified for control.                                                                                                                                                                                                                                                                                                                                                                                                                                                                                                             |
| map {2..5} | Specifies the content video source to control.<br>Note: This parameter is only necessary if no video source was specified when using the vcbutton play command.                                                                                                                                                                                                                                                                                                                                                                                                            |
| source get | Gets the content video source that is currently playing.                                                                                                                                                                                                                                                                                                                                                                                                                                                                                                                   |



## Feedback Examples

If not registered for notifications:

- `vcbutton play 4`  
returns  
`vcbutton play 4`  
`vcbutton play succeeded`  
`camera near 4`

If registered for notifications:

- `vcbutton play 4`  
returns  
Control event: `vcbutton play`  
Control event: `vcbutton source 4`  
Control event: `vcbutton play`  
`vcbutton play 4`  
`vcbutton play succeeded`  
`camera near 4`
- `vcbutton play 5`  
returns  
`vcbutton play failed`
- `vcbutton play`  
returns  
Control event: `vcbutton play`  
`vcbutton play succeeded`
- `vcbutton play`  
returns  
`vcbutton play failed`
- `vcbutton play 2`  
returns  
error: `input 2 is not a content source`  
`vcbutton play failed`
- `vcbutton play 7`  
returns  
error: `invalid value! (valid ranges 2..6)`  
`vcbutton play failed`
- `vcbutton register`  
returns  
`vcbutton registered`
- `vcbutton stop`  
returns  
Control event: `vcbutton stop`  
Camera near `none`  
`vcbutton stop`  
`vcbutton stop succeeded`

- `vcbutton get`  
returns  
`vcbutton stop`  
`vcbutton get succeeded`
- `vcbutton source get`  
returns  
`vcbutton source get 1`  
`vcbutton source get succeeded`
- `vcbutton source get`  
returns  
`vcbutton source get none`  
`vcbutton source get succeeded`

Polycom recommends registering for notifications. If `vcbutton register` is used for notifications, the following responses occur.

- Pressing the play button at the far site  
returns  
Control event: `vcbutton farplay`
- Pressing the stop button on the local system  
returns  
Control event: `vcbutton stop`

### Comments

The `vcbutton stop` command is global in Polycom HDX software version 2.0 or later. Previously, this command was specific to the content video source to which it was mapped.

## vcraudioout

Enables, disables, or gets the **VCR Audio Out Always On** setting.

### Syntax

```
vcraudioout <get|yes|no>
```

| Parameter | Description                       |
|-----------|-----------------------------------|
| get       | Returns the current setting.      |
| yes       | Enables VCR Audio Out Always On.  |
| no        | Disables VCR Audio Out Always On. |

### Feedback Examples

- vcraudioout yes  
returns  
vcraudioout yes
- vcraudioout no  
returns  
vcraudioout no
- vcraudioout get  
returns  
vcraudioout no

## vcrrecordsource

Sets or gets the VCR/DVD record source.

### Syntax

```
vcrrecordsource get
vcrrecordsource <near|far|auto|content|content-or-near|
content-or-far|content-or-auto|none>
```

| Parameter       | Description                                                                        |
|-----------------|------------------------------------------------------------------------------------|
| get             | Returns the current setting.                                                       |
| near            | Sets the VCR to record the near-site video source.                                 |
| far             | Sets the VCR to record the far-site video source.                                  |
| auto            | Sets the VCR to automatically record the current speaker in a point-to-point call. |
| content         | Sets the VCR to record content, when presented.                                    |
| content-or-near | Sets the VCR to record near-site video or content, when presented.                 |
| content-or-far  | Sets the VCR to record far-site video or content, when presented.                  |
| content-or-auto | Sets the VCR to record the current speaker or content, when presented.             |
| none            | Sets the VCR to record nothing.                                                    |

### Feedback Examples

- vcrrecordsource near  
 returns  
 vcrrecordsource near
- vcrrecordsource content-or-auto  
 returns  
 vcrrecordsource content-or-auto
- vcrrecordsource get  
 returns  
 vcrrecordsource content-or-auto

## version

Returns the current system's version information.

### Syntax

versi on

### Feedback Examples

- versi on  
returns  
versi on "rel ease 2.5 - 30Nov2008 11:30"

## vgaqualitypreference

Sets or gets the bandwidth split for people and content video.

### Syntax

```
vgaqualitypreference get
vgaqualitypreference <content|people|both>
```

| Parameter | Description                                                       |
|-----------|-------------------------------------------------------------------|
| get       | Returns the current setting.                                      |
| content   | Sets the VGA quality preference to content video.                 |
| people    | Sets the VGA quality preference to people video.                  |
| both      | Sets the VGA quality preference to both people and content video. |

### Feedback Examples

- vgaqualitypreference people  
returns  
vgaqualitypreference people
- vgaqualitypreference content  
returns  
vgaqualitypreference content
- vgaqualitypreference both  
returns  
vgaqualitypreference both
- vgaqualitypreference get  
returns  
vgaqualitypreference both

## videocallorder

Sets the video call order of the specified protocol to the specified slot.

### Syntax

```
vi deocal l order <i sdn|h323|si p|gateway323> <1|2|3|4>
```

| Parameter  | Description                                                                              |
|------------|------------------------------------------------------------------------------------------|
| i sdn      | Specifies ISDN protocol.                                                                 |
| h323       | Specifies IP protocol.                                                                   |
| si p       | Specifies SIP protocol.                                                                  |
| gateway323 | Specifies H.323 gateway calling.                                                         |
| 1 2 3 4    | Sets the order in which the specified protocol is attempted when a video call is placed. |

### Feedback Examples

- vi deocal l order h323 1  
returns  
vi deocal l order h323 1
- vi deocal l order i sdn 2  
returns  
vi deocal l order i sdn 2

### See Also

To set the dialing order for audio-only protocols, use the [voicecallorder](#) command on page 4-356.

## voicecallorder

Sets the voice call order of the specified protocol to the specified slot.

### Syntax

```
voicecallorder <i sdn_phone|pots> <1|2>
```

| Parameter   | Description                                                                                                                                                                                  |
|-------------|----------------------------------------------------------------------------------------------------------------------------------------------------------------------------------------------|
| i sdn_phone | Specifies ISDN phone line.                                                                                                                                                                   |
| pots        | Specifies analog phone line.                                                                                                                                                                 |
| 1 2         | Sets the order in which the specified method is attempted when a voice call is placed. Positions 1-2 are relative and are shown as 3-4 in the user interface if video protocols are enabled. |

### Feedback Examples

- ```
voicecallorder pots 1
```

 returns

```
voicecallorder pots 1
```
- ```
voicecallorder i sdn_phone 1
```

 returns 

```
voicecallorder i sdn_phone 1
```

### See Also

To set the dialing order for video protocols, use the [videocallorder](#) command on page [4-355](#).



## volume

Sets or gets the call audio volume (not sound effects) on the system or registration for volume changes.

### Syntax

```

volume <register|unregister>
volume <get|up|down|set {0..50}>
volume range

```

| Parameter  | Description                                                                   |
|------------|-------------------------------------------------------------------------------|
| register   | Registers to receive notification when the volume changes.                    |
| unregister | Disables register mode.                                                       |
| get        | Returns the current volume level.                                             |
| up         | Increases the audio volume by 1.                                              |
| down       | Decreases the audio volume by 1.                                              |
| set        | Sets the volume to a specified level. Requires a volume setting from {0..50}. |
| range      | Returns the valid volume range available to the user.                         |

### Feedback Examples

- ```

volume register
returns
volume registered

```
- If entered again,

```

volume register
returns
info: event/notification already active: volume

```
- ```

volume set 23
returns
volume 23

```
- ```

volume up
returns
volume 24

```
- ```

volume get
returns
volume 24

```

## **Comments**

Changes the call audio volume (not sound effects) on the system.

## vortex

Sends commands to a Polycom Vortex mixer.

### Syntax

```
vortex <0|1> mute <on|off>
vortex <0|1> forward "vortex_macro"
```

| Parameter      | Description                                                                                                                     |
|----------------|---------------------------------------------------------------------------------------------------------------------------------|
| 0 1            | Specifies the serial port to which the Vortex mixer is connected.                                                               |
| mute           | Sets the mute state for the Vortex mixer connected to the specified serial port.                                                |
| on             | Mutes the Vortex mixer.                                                                                                         |
| off            | Unmutes the Vortex mixer.                                                                                                       |
| forward        | Forwards the vortex_macro to the Vortex mixer connected to the specified serial port.                                           |
| "vortex_macro" | Specifies the Vortex mixer macro command to send. For more information about these commands, refer to the Vortex documentation. |

### Feedback Examples

The response from the Vortex is returned in the following format:  
vortex <portnum> forward <vortexcmd>: <vortexresponse>

- vortex 0 forward FOOPING  
returns  
vortex 0 forward FOOPING: FOOPONG  
if the Vortex responds and  
vortex 0 forward FOOPING: failed  
if the Vortex does not respond
- vortex 1 mute on  
returns  
vortex 1 mute on  
and mutes the Vortex connected to the second serial port on the back of the system

## Comments

The Vortex commands are applicable when you have a Vortex mixer connected to a system. An API client can send these commands to control a Vortex mixer using the command format:

```
vortex <portnum> forward <vortexcmd>
```

where <portnum> is 0 if the Vortex is connected to the first serial port or 1 if the Vortex is connected to the second serial port, and <vortexcmd> is a Vortex-specific command. Whatever value is passed in this parameter will be sent to the Vortex.

## waitfor

This command is used within script files or control panel programs to wait for a specific event before executing the next statement. It causes the API session to wait until a call being placed either connects or fails, or until system is ready to place a call (such as after a reboot waiting for the ISDN lines to come up).

### Syntax

```
waitfor <callcomplete|systemready>
```

| Parameter    | Description                                                                                        |
|--------------|----------------------------------------------------------------------------------------------------|
| callcomplete | Causes the API session to wait until a call being placed either connects or fails.                 |
| systemready  | Causes the system to return the message "system is ready" when the system is ready to make a call. |

### Feedback Examples

- ```
waitfor callcomplete
returns
waiting for call complete
and returns
call is complete
when the call either connects or fails
```
- ```
waitfor systemready
returns
waiting for system ready
and returns
system is ready
when the system is ready to make a call
```

### Comments

This command can be used to synchronize a remote controller with the system. The API session echoes the message "call complete" when the call connects or is aborted.

## wake

Wakes the system from sleep mode.

### Syntax

wake

### Feedback Examples

- wake  
returns  
wake  
and wakes the system from sleep mode

### See Also

To put the system in sleep mode, use the [sleep](#) command on page [4-307](#).

## wanipaddress

Sets or gets the WAN IP address.

### Syntax

```
wani paddress get
wani paddress set ["xxx.xxx.xxx.xxx"]
```

| Parameter         | Description                                                                                                                                   |
|-------------------|-----------------------------------------------------------------------------------------------------------------------------------------------|
| set               | Sets the WAN IP address when followed by the "xxx.xxx.xxx.xxx" parameter. To erase the current setting, omit the "xxx.xxx.xxx.xxx" parameter. |
| get               | Returns the WAN IP address.                                                                                                                   |
| "xxx.xxx.xxx.xxx" | WAN IP address.                                                                                                                               |

### Feedback Examples

- ```
wani paddress set 192.168.1.101
returns
wani paddress 192.168.1.101
```
- ```
wani paddress get
returns
wani paddress 192.168.1.101
```

### Comments

The **NAT Configuration** option on the Firewall screen must be set to **Auto**, **Manual**, or **UPnP** for this option to be available.

## webmonitoring

Enables or disables the ability to view video from a Polycom HDX system via the web interface. This command is available in serial API sessions only.

### Syntax

```
webmonitoring "remoteaccesspasswd" <yes|no>
```

| Parameter            | Description                                                         |
|----------------------|---------------------------------------------------------------------|
| "remoteaccesspasswd" | Current remote access password.                                     |
| yes                  | Allows Polycom HDX video to be viewed via the web interface.        |
| no                   | Disables Polycom HDX video from being viewed via the web interface. |

### Feedback Examples

- webmonitoring "1234" yes  
returns  
webmonitoring yes
- webmonitoring "1234" no  
returns  
webmonitoring no

### Comments

The webmonitoring setting can be controlled by a provisioning server. For this reason, provisioned systems do not allow modification to the webmonitoring setting.

webmonitoring has no 'get' operation. Use the [remotemonenable](#) command on page [4-287](#) instead.

If the system has no remote access password, enter a pair of single quotes (") to denote an empty password.



## webport

Sets or gets the port to use when accessing the system using the web interface.

### Syntax

```
webport get
webport set "port"
```

| Parameter | Description                         |
|-----------|-------------------------------------|
| get       | Returns the current setting.        |
| set       | Sets the web access port to "port". |

### Feedback Examples

- webport set 80  
returns  
webaccessport 80
- webport get  
returns  
webaccessport 80

### Comments

If you change this from the default (port 80), you will need to include the port number with the IP address when you use the web interface to access the system. This makes unauthorized access more difficult. After making a change, you must restart the system for the setting to take effect.

## whitelisted

Enables or disables the ability to restrict a Polycom HDX system's access to only those systems with IP addresses that match one of the addresses or patterns specified in the whitelist.

### Syntax

```
whitelisted get
whitelisted <yes|no>
```

| Parameter | Description                                                                                                                                          |
|-----------|------------------------------------------------------------------------------------------------------------------------------------------------------|
| get       | Returns the current setting.                                                                                                                         |
| yes       | Allows the Polycom HDX system to access only those systems with IP addresses that match one of the addresses or patterns specified in the whitelist. |
| no        | Allows the Polycom HDX system to access systems with IP addresses that are not specified in the whitelist.                                           |

### Feedback Examples

- whitelisted get  
returns  
whitelisted no
- whitelisted yes  
returns  
whitelisted yes

### Comments

The system will restart when the whitelisted setting is modified.

## whoami

Displays the same initial banner information as when the RS-232/Telnet session was started with the system.

### Syntax

whoami

### Feedback Examples

- whoami  
returns  
Hi , my name is: Polycom HDX Demo  
Here is what I know about myself:  
Model : HDX9004  
Serial Number: 82065205E72EC1  
Software Version: 2.5  
Build Information: root on domain.polycom.com  
Contact Number: <empty>  
Time In Last Call: 0:43:50  
Total Time In Calls: 87:17:17  
Total Calls: 819  
SNTP Time Service: auto insync ntp1.polycom.com  
Local Time is: Wed, 30 Nov 2008 10:41:46  
Network Interface: NONE  
IP Video Number: 192.168.1.101  
Link-Local Address: fe80::2e0:dbff:fe07:2173/64  
ISDN Video Number: 7005551212  
MP Enabled: AB1C-2D34-5EF6-7890-GHI1  
H323 Enabled: True  
H320 Enabled: False  
HTTP Enabled: True  
SNMP Enabled: True

### Comments

The response can vary depending on your system configuration.



---

# Room Design and Layout

*Reprinted from the Basics of Audio and Visual Systems Design: Revised Edition, Chapter 12, "Videoconferencing" written by Scott Sharer, CTS, and Jim Smith, CVE, CTS, copyright 2003, with permission of InfoComm International®*  
[www.infocomm.org](http://www.infocomm.org)

For clarity of discussion, we have divided this section into the following sub-sections:

- Room construction, including wall construction, windows and window treatments, ceilings and HVAC;
- Interior design and finishes;
- Furniture design, including placement and layout;
- Room acoustics and acoustic treatment; and
- Room lighting.

The initial layout and construction of the space affects all the elements that are discussed in other sections of this book [*Basics of Audio and Visual Systems Design*], including acoustic characteristics and performance, general and ambient light control, and overall comfort.

## Room Requirements

We begin with general room requirements. The total floor space required for VC is much greater than we have become used to for general local presentation and meeting. In architectural terms it is not uncommon to find a rule-of-thumb applied that allows for up to 15 square feet of floor space per participant in a traditional presentation or meeting room. If there is a front-of-room presenter position at a podium, and if there is some use of in-room technology (projection devices, whiteboards, etc.), then this figure may increase to as much as 20 square feet of floor space per participant, but rarely any more than that.

It is here that we have our first conflict. In videoconferencing we have to consider not only the issues related to local viewing and hearing but also the issues of being seen and heard by people at the far-end of the connection. This

means that we must consider sight lines and angles of participant interaction that go beyond traditional presentation environments. As a rule we should allow not less than 30 square feet and generally not more than 45 square feet of floor space per participant in a videoconference space. Though two to three times what we are used to allowing, this amount ensures that local participants will see one another and the display of local and remote electronic images. It also ensures that participants at the far-end will see and hear everyone arriving at their location via the connection, and that all will see and hear at a level of quality that does not detract and, in the best deployment, even enhances the communications.

Having determined the required size of the space, we can move on to the actual renovation or construction of the space itself. Again the requirements here are generally less forgiving than those applied in local-only meeting spaces. In the most basic sense this is because, by sheer definition, at least some of the participants in a conference-based meeting are not actually in the room. As such, we cannot count on the typical human mechanisms (the human ears and brain and our ability to locate sound in three-dimensional space) to manage any acoustic anomalies.

If we are, for example, in a room that is adjacent to a double-door entry to the building, then knowing this we can take the inevitable doorway noise into account as we filter the sounds we hear both inside the meeting room and coming from that adjacent entryway. Within our own physical and local environment we have the ability to isolate local unwanted noise from local "sound of interest" (voices of other people, etc.), and place the unwanted noise in an inferior position in our conscious thought pattern. We are able to do this because we know where the noise is coming from and (usually) what is causing it. We may be annoyed by the noise, but we generally are able to ignore it. As soon as we add conferencing to the meeting equation, however, we add the element of electronic pickup and reproduction of all sounds. For the people at the far-end, the unwanted noise is much more difficult (if not impossible) to ignore. They do not have the ability to isolate it in three-dimensional space (the microphones eliminate the spatial reference) and they often do not know what is making the noise. The brain of the far-end participant will devote more and more conscious observation and thought energy to trying to work out these elements, in an attempt to isolate and finally "ignore" the unwanted sound. We have already stated that they cannot do this, however, due to the electronic separation between the locations. Thus they are left with an impossible task that takes up more and more thought energy, eroding the perceived quality of the spoken communication over time. Frustration and exasperation quickly set in, and the communication flow quickly falls apart.

This, then, is one reason we must pay even greater attention to the acoustic and visual issues for any presentation space that will be connected via conference to another. Minor, seemingly insignificant anomalies we often ignore in the local environment become significant impediments to smooth communication with people at the far-end of any connection. In short, we must always ask ourselves, "What does this look like and sound like to the people at the far-end?"

In order to guarantee that the final conference environment will have a solid foundation, we begin with the construction of the walls, floors and ceilings for videoconference spaces.

## Walls

Conference room walls should be built from slab to slab. That is, there should be no gaps from the concrete of one floor to the concrete of the next floor. Resilient, gypsum board mountings should be used to close any gaps. The thickness of the gypsum board should be 5/8" or more (one layer of 5/8" and one layer of 1/2" bonded together would be ideal) on the inside of the room, with 1/2" thick (or as required by local building codes) appropriate for the outside of the walls. There should always be a difference in thickness between the materials used on the inner versus the outer walls. That difference in thickness subdues mechanical coupling (vibration) between the two layers. A good overall wall thickness is 6". It is recommended that "offset stud" construction be used, typically a 6" header and footer with 3.5" verticals attached in an alternating pattern one toward the outside of the footer, the next toward the inside and so on.

Fiberglass dense batting or mineral rock wool, 4" to 6" thick (the equivalent of R-11 to R-13) should be placed in the wall space. The thickness of the batting is not critical. The critical aspect is that it must be loosely placed in the wall space, not compacted to fit. The resultant wall will have excellent acoustic isolation from the outside world. More significant acoustic isolation can be achieved by placing an additional barrier layer within the wall space. Typically this barrier will be made of a dense polymer material, about 1/8" thick, and the improvement regarding loss of sound transmitted through the wall will be roughly a factor of 10. These materials are available from a variety of manufacturers.

## Windows

Windows usually present the equivalent of an acoustic nightmare (as well as altering the way a camera renders colors and brightness). They not only transmit room sound, but also allow unwanted outside noise to intrude on the conference space. In the event that windows cannot be avoided, it becomes essential that window treatment of some sort be used. This treatment should match the interior look and feel of the space, while providing a high level of sound and light block. Typically a heavyweight drape (24 ounces or more) of heavy fullness (not less than 6" fullness on not less than 8" centers per fold) is preferred. In all cases, the use of sheer draperies or standard vertical or horizontal blinds should be avoided, due to their inherent inefficiency in blocking sound and light, and the fine lines they create within the camera field of view.

## Ceiling Tiles

These should be high-quality acoustic tiles, ideally 1" - thick compressed densecore fiberglass. An added benefit of this kind of ceiling tile is that it works well with the indirect lighting as specified elsewhere in this section. To reduce any extraneous noise from leaving or entering the room via the ceiling space, the ceiling tiles can be blanketed completely from the plenum side, with a minimum of 6" - thick unfaced dense fiberglass batting or mineral rock wool, (the equivalent of R-15 to R-19). Here again, a barrier layer will improve the performance, but all local building codes must be followed for allowable materials in the various aspects of room acoustic modifications. To make entry and exit from the ceiling space easier, the blanket and barrier do not need to rest on the ceiling tiles, but may be suspended above it.

## Air Conditioning

It is critical that all air-handling equipment (blowers, heat exchangers, solenoid valves, etc.) be located outside the physical meeting room space. This will prevent the noise burden associated with such equipment from affecting the participants of any meetings held in the room. Location of air-handling equipment within the ceiling space of a conference room often renders that room unusable for video or audio-only conferencing.

The air vents should be of open construction to eliminate "wind noise" while the system is running. These vents normally are specified as "low-velocity" diffusers. The number of air vents within the room should be sufficient to maintain a consistent temperature throughout the space. All HVAC ducts and diffusers should be oversized for the general application in the space, with minimum 2' diameter insulated flexible ducts and matching 2' noise dampening diffusers generally best. All ducts should be installed with gradual bends and curves rather than rigid 90-degree corners. This will minimize "thunder" sounds as the initial air pushes through the ductwork and into the room.

There should be a thermostat to control this specific room system independently of the rest of the building, and that control should be located within the room.

*Important:* Allow an additional 5,000 BTU of cooling capacity for a standard "roll-about" singlemonitor VC system with extended in-room peripherals (PC, document camera, scan converter, etc.) and a minimum of 10,000 BTU for a dual display multimedia presentation system with large screen displays. For the comfort of the participants, the room must accommodate these heat loads, plus the heat load of a room full of people, with minimal temperature rise.



## Interior Design and Finishes

Wall colors within the field of view of the camera have a significant impact on the far-end perception of the room video quality. Certain colors are better suited to video rooms than others. The electronics and software of the videoconferencing system “builds” the images at the far-end from a gray/blue reference image. When there is a minimal difference between the room background and the reference image color, the codec has an easier time turning the image into numbers, with the result that the far-end will see a much higher quality video presentation. In general, light gray with just a touch of blue seems to work best. For rooms that have marginal lighting, slightly darker colors are quite useful.

In keeping with these color recommendations, the acoustic panels (discussed elsewhere in this section) should be ordered in light colors such as silver-gray, quartz or champagne for panels within the camera field of view. For aesthetics, however, panels may be alternated in color along the wall.

## Furniture

As we have noted, VC rooms should be slightly on the large side for the typical number of attendees. The placement of furniture should present a natural rapport with the videoconference system, but shouldn't preclude the local interaction of conference participants. Doorways used for access to the space usually should be within the view of one of the camera presets to prevent the perception from the far-end that people could come into their meeting unseen. Doorways should not, however, be in constant, direct view of the camera system, as this may cause unwanted distractions and movement of people in the picture field.

Any tables within the conference environment should have a light top surface. Glossy tops should be avoided, as should strong colors or any bold wood grain. If glossy or saturated color surfaces are unavoidable, then proper lighting can help reduce (but not necessarily eliminate) their ill effects. The best table surface color is a flat satin finish, in neutral gray. In cases where the worst possible surfaces are present, the proper surface color effect can be achieved by using a table covering, put in place only when the room is being used for videoconferencing. This will, however, create problems related to the use of access ports in the tables or movement of end-user items across the surface.

## Acoustics

Additional general elements related to the interior finish details for the space include acoustics. In terms of ambient noise level, the acoustic design goal for any conference-enabled room is at least NC-30 (NoiseCriteria-30). This level of specification dictates a very quiet space (somewhere around 40-dBC SPL).

ambient noise level). A room built to the description found elsewhere in this section will usually fall between NC-30 and NC-35. The actual NC value is not critical; what is important is that the room be built with the intent and care required to achieve the low noise rating. Typically in architectural design, a site evaluation and analysis are required to certify the noise performance of a given space. The quieter the room, the easier it is to hear others in the same room as well as be heard by others who are participating via conference connection to a far-end location (or locations).

Almost every conference room of medium to large size (larger than 12'x15') requires some level of acoustic treatment to provide good speech-rendering to other conference sites. The quality differences lie in the areas of intelligibility and consistency of loudness as presented to the far-end. While the people at the far-end may hear the sounds coming to them, it may be hard for them clearly to distinguish all of the vowels, consonants, inflections and nuances of actual human speech communication. (We all know that it is not simply what you say but how you say it—i.e., the inflections and intonations—that makes the difference in perceived meaning in human communications.)

Good audio practice dictates that the treated surfaces be composed of at least two nonparallel walls. And, as the VCS hardware is a potential source of distracting fan noises, the walls to be treated should include the wall immediately behind the VCS hardware, whenever this hardware is within the conference room proper. To help prevent meeting audio from leaking into adjoining hallways or offices, the walls along those areas also should be treated.

Approximately 50 percent of the wall area needs be covered with acoustic panels. The type recommended is 1" thick compressed, dense-core fiberglass, fabric-covered, or equivalent, with a SABIN (sound absorption index) value of 0.9 average. This specification is sometimes referred to as NRC (noise reduction coefficient). If reduction of sound passing through is required, then an additional barrier layer is laminated to the dense-core material, usually 3/8" thick fiber compression board. The barrier layer is placed against the existing wall material, then the acoustic absorption panels are placed on the interior-room side of that. The barrier panels will have a SABIN of 0.9, but will have an additional specification of an STC (sound transmission coefficient) of 20. STC is a measure of the amount of reduction in loudness of sound passing through the material. Having an STC rating of 20 means there is a factor of 10 reduction in the amount of sound passing through that material. A high-quality conference room wall usually has an STC of 60 or more—that is, less than 1/1,000 of the sound in the room leaks through the wall.

## Room Lighting

The brightness of the lighting in a videoconference room plays an important role in determining the far-end view of the meeting. When there are low to moderate amounts of light—20fc to 35fc (footcandles), typical office lighting—the distance range of “in focus” objects (depth-of-field) usually is

only 2' or 3' from nearest in-focus to furthest in-focus. With bright light (70fc or more) the range of in-focus objects can more than double. Participants at the far-end will see more people in sharp focus, and the codec will have an easier time encoding the image.

Bright standard direct fluorescent lighting has the undesirable side effect of being harsh for the local participants. In addition, the direct down lighting casts significant "drop shadows." The result is undue stress among participants.

The best plan for videoconferencing is to use indirect lighting for 80 to 85 percent of the light, and evenly distributed direct lighting for the remaining 15 to 20 percent. The indirect light will help minimize shadows on the faces of the participants, and make the room more comfortable for viewing the far-end on the TV monitor. The direct light can be used to create backlight separation between foreground and background objects or surfaces.

There should be not less than 55fc and ideally as much as 75fc of light (770lux) on the faces of the participants in the facial field as viewed by the camera in the conference space. The light should be completely even across the field of measure or view, and of one consistent color temperature.

To best meet these requirements, indirect fluorescent lighting most often is recommended. This type of lighting works by using the upper walls and ceiling as diffuse reflectors for the light. The usual recommended color temperature for these is 3,000 to 3,800 degrees Kelvin. If there is a significant quantity of outdoor light entering the room, the lamps should be more than 5,500 degrees Kelvin.

## Light Fixtures

The light fixtures generally recommended for indirect lighting are available from a number of manufacturers. They typically are three-tube, 8" oval indirect up-lights, though they may take the form of chandelier-style pendant lights, wall sconces, cove lights or flushmounted specialized troughs. Many manufacturers work closely with contractors and lighting designers to ensure that the correct light levels and shadow-free zones are designed into the room, especially when used for videoconferencing. Lamps for these fixtures are available in a variety of specified color temperatures from numerous manufacturers, including Sylvania, General Electric and Osram/Phillips. Indirect fixtures are available in a number of different designs or "looks," and can be purchased in configurations that will complement and not detract from the interior design of the space.

Lighting layout recommendations and determination of the number of fixtures needed are handled either by the architectural design firm or by submitting a complete floor plan, including reflected ceiling, walls and furniture placement, to fixture vendors. The vendors will analyze the plans and return a finished lighting layout to the customer, detailing the number of fixtures, placement and required wiring.

It is important to remember that the use of traditional meeting room downcans—even those that have color-corrected light sources—for any lighting in the field of view that may include human faces is to be avoided at all costs. These will result in extremely uneven fields of light, or pools, and heavy, unnatural shadows on the faces of the participants.

## Room Preparation Conclusion

When we follow the above guidelines we dramatically improve the odds for success in the final deployment of live bi-directional conference-based human communications. An added benefit is that this approach dramatically enhances the effectiveness of the room as it operates for more traditional meetings and presentations. The environment is more comfortable and flexible, and less dependent on specialized electronics for “fixing” deficiencies in the environment.

## Audio Elements

Once the space is prepared, we can focus on integration of the various audiovisual tools within the environment: audio, video and control.

### Audio Input

The primary input device for the audio portion of any conference system is the microphone. Elsewhere in this book [*Basics of Audio and Visual Systems Design*] we have discussed how these devices operate within a given acoustic environment. We turn now to a short discussion of how these elements operate within a conference environment, where such factors as “three-to-one” rules and “critical distance” often are pushed to the limit or violated entirely.

When sound travels in a room, it follows “the inverse square law.” This means that the sound level heard at a microphone drops by a factor of four every time the distance doubles. Another important consideration in room audio design is the concept of “critical distance,” or the distance at which the loudness of the room background noise plus reverberation is less than one tenth of the loudness of voices getting to a particular microphone. (This definition is the result of research conducted by Don and Carolyn Davis. that is referenced in the chapter “Designing for Intelligibility” in the Handbook for Sound Engineers.<sup>1</sup>)

---

1. Davis, Don and Carolyn. “Designing for Intelligibility” in Handbook for Sound Engineers: The New Audio Cyclopedia, ed. Glen Ballou (Indianapolis: Howard Sams & Co., 1991), 1279-1297.

As an example, we will work with a room having an ambient noise level of approximately 60dBA-SPL. A person speaking in a normal voice is 72dBA-SPL at about 2' distance. At 4' the loudness drops to approximately 66dBA-SPL. This already is farther than the critical distance criteria allow, given the ambient noise level. At 8' distance, a normal speaking voice is approximately 60dBA-SPL. Now the voice energy and the room background noise are about equal. For "send" audio systems in a room to work correctly, therefore, the room noise level would have to be below 40-45dBA-SPL at the microphones at all times. This gives us some measure by which we can begin to plan the microphone array within a space, including selection based on pickup pattern, sensitivity, noise rejection and signal-to-noise in relation to the ambient noise floor or level within the space. The good news is that a room designed and built as described in this section will provide an acoustic space where almost any properly configured and installed audio system can operate with very good results.

Perhaps the most difficult issue for any room designer or system planner is actual microphone placement within the space. Given the fact that many people view conference table space as sacred (to be used for papers, laptops, coffee cups and other end-user items), there often is a great deal of pressure to place the local microphones on the ceiling instead of on the table surface. But this approach must be taken with great caution. We have already seen the dramatic impact of changes in the distance between people (their mouths) and the microphone. Ceiling systems generally place microphones farther away from the participants' mouths, not closer; critical distance calculations may eliminate ceiling placement from consideration for this reason alone. In addition, the ceiling surface generally is one of the noisiest areas of the room. Proximity to HVAC ducts and vents, attachment of tiles and runners to building members that are prone to vibration and shaking, and proximity to noise from other spaces migrating through the plenum make this area one of the least desirable for placement of microphones. This doesn't, however, keep people from looking at this broad open surface as the best place for microphones, to "get them off the table."

If ceiling placement is chosen, the system planner must select the components with great care from a manufacturer that specializes in this type of audio voice reinforcement. The manufacturer must be skilled in live audio and capable of installing the components (that is, being both able and willing to locate microphones at precisely measured distances from speakers, and locating those speakers at precisely measured intervals from each other and from the walls) to extremely tight tolerances. The system provider must fully inform the endusers of the potential downside effects of this approach. In any event, simply mounting a standard tabletop microphone on the ceiling tiles or implementing this solution in an ambient noise environment of 45dBA-SPL or greater will all but guarantee costly failure. No amount of post-microphone processing will fix the problems.

## Audio Output

For conference communication we do not really care about producing the thundering roar of jet aircraft engines, or other sounds reproduced on TV or in the movies. We are interested in reproducing the human voice. The tone, intonation, pitch and level of people speaking from the far-end should sound as much as possible like the sound they would make if they were speaking in the room. Given what has been covered in other sections of this book [*Basics of Audio and Visual Systems Design*], we will touch base here on a couple of simple, basic elements of the speaker technology we deploy in the conference room. These basics fall into three subcategories: direction, power and range/frequency response.

### Direction

As human beings, we feel most comfortable when the voice we hear appears to come from the same direction as the image of the person speaking. This means that reliance on ceiling speakers alone is not an ideal practice when the system is used for videoconferencing. In many small and medium-sized systems, front-firing speakers alone can provide proper direction and adequate coverage. Larger rooms (greater than 12'x15') probably need both front-firing and side or top-fill speakers in order to maintain proper coverage at nominal power levels.

In planning systems for larger rooms, we need to take advantage of the HAAS effect. Basically stated, this is the human brain's interpretation of sound direction when the same sound arrives at the ear from two or more directions within a certain time period. We attribute the direction of the sound to the direction from which the sound is first perceived, even if it is mixed with that same sound arriving from a completely different direction, as long as the two (or more) instances of the sound are within about 30ms of one another. Since sound travels faster electronically than it travels through the open air we may need to add audio delay to the side firing or ceiling speaker arrays in order to keep the primary perceived point source as the front of room/front-firing speakers.

### Power

Power is a function of loudspeaker efficiency and total available system power. Most speakers operate in a power range that is broader than the range in which they operate without distortion. For the purpose of conference communication, we are interested in sound that has little or no distortion. Sound that is reproduced accurately (with no distortion) will most accurately represent the voice of the people from the far-end (our primary goal). Accurate reproduction also will aid the echo-cancellation circuitry in the system, minimizing the amount of echo that the system sends back to the people at the far-end, and thereby increasing perceived ease of intelligibility and understanding. Remember that any distortions present in the playback audio system—whether harmonic, amplitude (gain compression) or temporal (time

delays)—will be recognized by the echo canceller as “new audio information,” and it will send those distortions to the far-end, perhaps wreaking havoc on the system audio quality. In short, speaker power should be matched to overall audio subsystem power. The speakers should provide adequate coverage and be able to present approximately 80 to 85dBA-SPL (continuous) at the local site with the system operating at nominal power utilization, and have a peak reserve of 15 to 20dB before distortion.

## Range/Frequency Response

The human ear is able to hear sounds in a very wide range of frequencies (as low as 70Hz and as high as 12,000Hz). The human voice is able to produce sounds in a narrower range (100Hz to 8,000Hz). Most spoken communication occurs, however, in a range that is only 150Hz to about 6,000Hz. This means that we need to select speakers that operate with ideal performance in a fairly narrow range for human voice (as opposed to speakers used for music, that may have ranges of 20Hz to 20,000Hz). We must also be alert to the crossover characteristics of the speakers we select. Many coaxial and paraxial speakers have their crossover within the middle audio frequencies, thereby inducing potential distortion within the spoken frequency range and creating anomalies within the system that hinder voice communication.

## Video Elements

As a general rule, any display used in a videoconferencing environment should be sized for the number of attendees, the physical distances involved and the type of material presented onscreen. The screen size should allow for clear and easy viewing at the various distances experienced within the room. A measure of required screen size that often is applied to projection technology is: no closer than 1.5 times the diagonal measure and no farther than 7 times that measure. Nobody should have to sit closer than 2 times the screen diagonal measure, nor farther than 8 times that measure.

Direct viewed tube-type displays (monitors) almost always are sharpest and brightest in a videoconferencing environment. “Retro-projector cabinet” displays (which look like largescreen TVs) are next in sharpness and brightness, and “front-screen” projectors come in last. Glare and uncontrolled ambient room lighting adversely affect the quality of the image most with front-screen projectors and least with direct view tubes. A very limited number of frontscreen projection systems have sufficient brightness and contrast to be useful in a properly lit videoconference room.

## Video Projection for Use in Videoconference

Many installations make use of video projection devices. The most important thing to remember in the planning of video projection for a videoconference space is that front projection is vastly inferior to rear projection. Front projection systems are less expensive and easier to implement, but the conflicting interest between the camera and the projection display makes this form of display a very poor choice. Front projection setups operate best when the lighting in the room is dimmed or doused. When this is done, the videoconference cameras can no longer operate, since they require even, bright, color-corrected light. A direct conflict between these two technologies is clear. In the event that a rear projection room cannot be set aside, retro-projection units can be purchased from a number of manufacturers. These units normally are available in sizes ranging from 40" to 72" diagonal measure. To display high-quality video while maintaining optimum lighting for interactive video meetings will require a projector of the "light-valve" or DLP™ class.

Regardless of the exact type of projector selected and the exact nature of "front versus rear," there are certain essential rules for projector placement. The goal in projection is to get the image beam to aim directly into the audience's eyes. In Western cultures the average distance from the floor to a seated person's eye is 4'. That distance becomes the target for the direct beam of the projector. Again keep in mind that front projection should be avoided except in the most extreme cases. If it is employed at all it must be used with an extremely bright projector (2,500 lumens or greater for any space smaller than 25'x40').

## Cameras

There usually is a "main" or "local people" camera positioned on top center of the display, so that it can "see" the participants and anything necessary at the sides of the room, using pan and tilt features. If individual presentations may be made from the side or "front of audience" area of the room, an additional camera should be located at the back of the room, also mounted to allow a view of the presenters when necessary. Some cameras contain an active camera pointing system that also can be used effectively, given proper care in the mounting of the camera assembly. The area immediately surrounding the camera assembly needs to be acoustically "dead" to ensure that the voice tracking and pointing algorithms work correctly. This is another reason to pay close attention to the acoustic environment and acoustic treatment of any space intended for use with this type of camera system.

If local presentation is blended with VC for any events, we must consider the needs of the presenter who will not be "facing" the local image or inbound image displays used by the main body of the local audience. One or two monitors (and a camera) should be mounted at the back of the "audience-end" of the room, with the horizontal centerline at approximately 5' from the floor for ease of presentation interaction between the presenter and the group(s) at the far end(s). Remember that, with the exception of PC-based information that is not in a standard composite narrowband video format, any information we



wish to “show” or “view” must be translated to video, most often with some sort of camera mechanism. Document cameras, 35mm slide-to-video units, video scanners and scan conversion devices all are designed to take one format of source material and convert it to a standard video signal that can be digitized, shipped to the far-end(s), and converted back to composite video for display. Which devices are selected and how they are used depends entirely on the needs and goals of the end-users of the system(s) and the format of their source materials.

## Room Control Elements

To give all participants the easiest use of the room for any and all presentation or conference purposes, a fully integrated room controller is recommended. It is important that one controller operate all devices in the room so that only one user interface needs to be learned by those managing the facility. The common controller also makes it much easier to expand and enhance room capabilities over time by adding or upgrading equipment. A proper room controller can operate and coordinate the use of lighting, curtains, displays, audio devices, VCRs and slide projectors, as well as all the conferencing equipment, including any network-related control needed. In lieu of a complete control system, a limited functionality controller can be located at the presentation interface panel to control the switching and routing of the computer graphics and configure the overhead camera video paths.

It is strongly advised that at least 20 percent of the time spent developing a videoconferencing room be devoted to this important sub-system, as it will complete the integration of the conference and presentation environment.

And remember that simpler is always better. People do not pay for technology. They pay for the benefits that technology can bring. The doorway to those benefits is a simple, straightforward and intuitive user control.



---

# Status Messages

## Status Display

The call status can be displayed in a number of ways. The [getcallstate](#) command on page 4-158 returns a table listing the status, speed, and dialed number of current calls.

To display real-time status on individual B channels (incoming or outgoing calls), either register the API session with the [callstate](#) command on page 4-62, or start an outbound call with the [dial](#) command on page 4-95. These two commands will cause the system to re-direct the B channel status messages to the session which has issued one of these two commands. For example, if the RS-232 device issues a `dial` command, then call status is directed to the RS-232 port; if a later session on a Telnet port issues a `dial` command, then call status is also directed to that Telnet port.

## B Channel Status Message Example

The following output example is for B channel status messages, where:

|           |                                                                                                         |
|-----------|---------------------------------------------------------------------------------------------------------|
| cs        | Indicates call status for one B channel.                                                                |
| RINGING   | Indicates a ring-in or ring-out and is equivalent to a 25% blue sphere on the graphical user interface. |
| CONNECTED | Is equivalent to a 50% yellow sphere.                                                                   |
| BONDING   | Indicates the bonding protocol is operational on the channel and is equivalent to a 75% orange sphere.  |
| COMPLETE  | Is equivalent to a 100% green sphere.                                                                   |

## Feedback Examples

- di al manual 384 5551212 I SDN  
 returns  
 Di al i ng manual  
 Di al i ng 5551212 384 none I SDN  
 cs: call [0] chan[0] di al str[95551212] state[R I N G I N G]  
 cs: call [0] chan[0] di al str[95551212] state[C O N N E C T E D]  
 cs: call [0] chan[0] di al str[95551212] state[B O N D I N G]  
 cs: call [0] chan[0] di al str[95551212] state[C O M P L E T E]  
 cs: call [0] chan[1] di al str[95551212] state[R I N G I N G]  
 cs: call [0] chan[1] di al str[95551212] state[C O N N E C T E D]  
 cs: call [0] chan[2] di al str[95551212] state[R I N G I N G]  
 cs: call [0] chan[3] di al str[95551212] state[R I N G I N G]  
 cs: call [0] chan[2] di al str[95551212] state[C O N N E C T E D]  
 cs: call [0] chan[3] di al str[95551212] state[C O N N E C T E D]  
 cs: call [0] chan[4] di al str[95551212] state[R I N G I N G]  
 cs: call [0] chan[5] di al str[95551212] state[R I N G I N G]  
 cs: call [0] chan[4] di al str[95551212] state[C O N N E C T E D]  
 cs: call [0] chan[5] di al str[95551212] state[C O N N E C T E D]  
 cs: call [0] chan[1] di al str[95551212] state[B O N D I N G]  
 cs: call [0] chan[2] di al str[95551212] state[B O N D I N G]  
 cs: call [0] chan[3] di al str[95551212] state[B O N D I N G]  
 cs: call [0] chan[4] di al str[95551212] state[B O N D I N G]  
 cs: call [0] chan[5] di al str[95551212] state[B O N D I N G]  
 cs: call [0] chan[0] di al str[95551212] state[C O M P L E T E]  
 cs: call [0] chan[1] di al str[95551212] state[C O M P L E T E]  
 cs: call [0] chan[2] di al str[95551212] state[C O M P L E T E]  
 cs: call [0] chan[3] di al str[95551212] state[C O M P L E T E]  
 cs: call [0] chan[4] di al str[95551212] state[C O M P L E T E]  
 cs: call [0] chan[5] di al str[95551212] state[C O M P L E T E]  
 active: call [0] speed[384]
- hangup vi deo 0  
 returns  
 hang i ng up vi deo call  
 cleared: call [0] line[1] bchan[0] cause[16]  
 di al string[95551212]  
 cleared: call [0] line[2] bchan[0] cause[16]  
 di al string[95551212]  
 cleared: call [0] line[0] bchan[0] cause[16]  
 di al string[95551212]  
 cleared: call [0] line[1] bchan[1] cause[16]  
 di al string[95551212]  
 cleared: call [0] line[2] bchan[1] cause[16]  
 di al string[95551212]  
 cleared: call [0] line[0] bchan[1] cause[16]  
 di al string[95551212]  
 ended call [0]

- listen video  
returns  
listen video registered

listen video ringing // there is an incoming call, auto answer is on

```
cs: call[0] chan[0] dialstr[7005551212] state[RINGING]
cs: call[0] chan[0] dialstr[7005551212] state[CONNECTED]
cs: call[0] chan[0] dialstr[7005551212] state[BONDING]
cs: call[0] chan[0] dialstr[7005551212] state[COMPLETE]
cs: call[0] chan[1] dialstr[7005551212] state[RINGING]
cs: call[0] chan[1] dialstr[7005551212] state[CONNECTED]
cs: call[0] chan[2] dialstr[7005551212] state[RINGING]
cs: call[0] chan[3] dialstr[7005551212] state[RINGING]
cs: call[0] chan[2] dialstr[7005551212] state[CONNECTED]
cs: call[0] chan[3] dialstr[7005551212] state[CONNECTED]
cs: call[0] chan[6] dialstr[7005551212] state[RINGING]
cs: call[0] chan[6] dialstr[7005551212] state[CONNECTED]
cs: call[0] chan[4] dialstr[7005551212] state[RINGING]
cs: call[0] chan[5] dialstr[7005551212] state[RINGING]
cs: call[0] chan[4] dialstr[7005551212] state[CONNECTED]
cs: call[0] chan[5] dialstr[7005551212] state[CONNECTED]
cs: call[0] chan[7] dialstr[7005551212] state[RINGING]
cs: call[0] chan[7] dialstr[7005551212] state[CONNECTED]
cs: call[0] chan[1] dialstr[7005551212] state[BONDING]
cs: call[0] chan[2] dialstr[7005551212] state[BONDING]
cs: call[0] chan[3] dialstr[7005551212] state[BONDING]
cs: call[0] chan[6] dialstr[7005551212] state[BONDING]
cs: call[0] chan[4] dialstr[7005551212] state[BONDING]
cs: call[0] chan[5] dialstr[7005551212] state[BONDING]
cs: call[0] chan[7] dialstr[7005551212] state[BONDING]
cs: call[0] chan[0] dialstr[7005551212] state[COMPLETE]
cs: call[0] chan[1] dialstr[7005551212] state[COMPLETE]
cs: call[0] chan[2] dialstr[7005551212] state[COMPLETE]
cs: call[0] chan[3] dialstr[7005551212] state[COMPLETE]
cs: call[0] chan[6] dialstr[7005551212] state[COMPLETE]
cs: call[0] chan[4] dialstr[7005551212] state[COMPLETE]
cs: call[0] chan[5] dialstr[7005551212] state[COMPLETE]
cs: call[0] chan[7] dialstr[7005551212] state[COMPLETE]
active: call[0] speed[512]
```



# Polycom HDX 9000 Series Specifications

## Back Panel Information

Refer to the Administrator's Guide for Polycom HDX Systems at [www.polycom.com/videodocumentation](http://www.polycom.com/videodocumentation) for back panel views of Polycom HDX systems and for details about the various connections available on each Polycom HDX back panel connector.

## Inputs/Outputs

### Audio Specifications

| Characteristic                                                                                                            | Value                                  |
|---------------------------------------------------------------------------------------------------------------------------|----------------------------------------|
| Maximum Input Level<br>0 dBFS for Audio Input 4                                                                           | +12 dBV (4.0 V <sub>RMS</sub> ), ±1 dB |
| Maximum Input Level<br>0 dBFS for Audio Input 3 (VCR/DVD)                                                                 | +12 dBV (4.0 V <sub>RMS</sub> ), ±1 dB |
| Maximum Input Level<br>0 dBFS for Audio Input 1 (External Input, Line Level)                                              | +12 dBV (4.0 V <sub>RMS</sub> ), ±1 dB |
| Maximum Input Level<br>0 dBFS for Audio Input 1 (External Input, MIC Level)<br>Not supported on Polycom HDX 9006 systems. | -20 dBV, ±1 dB                         |
| Input Impedance<br>Audio Input 4 Differential                                                                             | 20 k, ±5% Ohms                         |

| Characteristic                                                                                                                                                                                      | Value                                                                                       |
|-----------------------------------------------------------------------------------------------------------------------------------------------------------------------------------------------------|---------------------------------------------------------------------------------------------|
| Input Impedance<br>Audio Input 3 (VCR/DVD) Differential                                                                                                                                             | 20 k, $\pm 5\%$ Ohms                                                                        |
| Input Common-Mode Rejection Ratio<br>Balanced Inputs, Common-Mode<br>Amplitude $\geq 1$ dBFS                                                                                                        | $>60$ dB, 20 Hz to 22 kHz                                                                   |
| Maximum Output Level<br>Balanced Outputs ( $\geq 10$ k Load)                                                                                                                                        | +12 dBV (4.0 $V_{RMS}$ ), $\pm 1$ dB                                                        |
| Output Impedance<br>Balanced Outputs                                                                                                                                                                | 150, $\pm 5\%$ Ohms                                                                         |
| Signal-to-Noise Ratio                                                                                                                                                                               | $>90$ dB, A-weighted                                                                        |
| Dynamic Range                                                                                                                                                                                       | $>90$ dB                                                                                    |
| Crosstalk and Feed-Through                                                                                                                                                                          | $\leq 90$ dB, 20 Hz to 22 kHz                                                               |
| Frequency Response<br>Balanced Inputs, Relative to 997 Hz                                                                                                                                           | +0.5, -3 dB, 20 Hz to 50 Hz<br>$\pm 1$ dB, 50 Hz to 20 kHz<br>+0.5, -3 dB, 20 kHz to 22 kHz |
| Total Harmonic Distortion + Noise vs.<br>Frequency<br>-1 dBFS Input Level<br>-20 dBFS Input Level                                                                                                   | -80 dB, 20 Hz to 22 kHz<br>-70 dB, 20 Hz to 22 kHz                                          |
| Phantom Power<br>DC Voltage Level, Relative to Shield<br>Termination<br>DC Operating Current<br>Fault Current<br>Source Impedance<br>Phantom Power is not supported on<br>Polycom HDX 9006 systems. | +48 $V_{DC} \pm 4$ V<br>10 mA<br>16 mA<br>6.8 k, $\pm 1\%$                                  |

## DTMF Dialing

The Polycom HDX 9000 series systems generate the following tip/ring signal levels:

- Low-frequency tone: -10.2 dBV, -8.0 dBm when AC termination of the line is 600 Ohms
- High-frequency tone: -8.2 dBV, -6.0 dBm when AC termination of the line is 600 Ohms



- The system seizes the line and waits 1.5 seconds. The number is then dialed with a 80 ms tone period followed by a 80 ms silence period for each digit.

## Remote Control

This section provides information about the IR signals for Polycom HDX systems.



This information is provided for reference only. Polycom claims no responsibility or liability for programmed third-party remote control devices.

### Notes

- Wake up – 2.6 ms on; 2.6 ms off
- 0–559  $\mu$ s (22 pulses at 38 KHz) on; 845  $\mu$ s (33 pulses at 38 KHz) off
- 1–845  $\mu$ s (33 pulses at 38 KHz) on; 1192  $\mu$ s (46 pulses at 38 KHz) off
- EOM–559  $\mu$ s (22 pulses at 38 KHz) on
- System Code consists of a User ID field (upper nibble) and the Polycom Vender Code (lower nibble) with value 0x5. The default User ID value is 0x3, so the default System Code value is 00110101 or 0x35.
- Parity is a 2-bit field consisting of a parity bit (b1) and a toggle bit (b0). Parity is even.
- Inter-burst timing is 2200 pulse times at 38.062 KHz or 57.8 ms
- 38.062 KHz signal is at 1/3 duty cycle to LED
- Multi-bit fields are transmitted most significant bit first
- Bits are labeled b0..bn, where b0 is the least significant bit

Protocol is: <Wake up> + <System Code> + <Key Code> + <Parity> + <EOM>

| Key Name | Key Code | Key Code | Parity |
|----------|----------|----------|--------|
| #        | 1100     | 0CH      | Even   |
| *        | 1011     | 0BH      | Odd    |
| 0        | 110000   | 30H      | Even   |
| 1        | 110001   | 31H      | Odd    |
| 2        | 110010   | 32H      | Odd    |

| Key Name     | Key Code | Key Code | Parity |
|--------------|----------|----------|--------|
| 3            | 110011   | 33H      | Even   |
| 4            | 110100   | 34H      | Odd    |
| 5            | 110101   | 35H      | Even   |
| 6            | 110110   | 36H      | Even   |
| 7            | 110111   | 37H      | Odd    |
| 8            | 111000   | 38H      | Odd    |
| 9            | 111001   | 39H      | Even   |
| Auto         | 11001    | 19H      | Odd    |
| Call         | 100101   | 25H      | Odd    |
| Call/Hang Up | 11       | 03H      | Even   |
| Camera       | 11110    | 1EH      | Even   |
| Colon        | 101111   | 2FH      | Odd    |
| Delete       | 100010   | 22H      | Even   |
| Dial String  | 0        | 00H      | Even   |
| Directory    | 11010    | 1AH      | Odd    |
| Dot          | 100001   | 21H      | Even   |
| Down Arrow   | 110      | 06H      | Even   |
| Far          | 10001    | 11H      | Even   |
| Fast Forward | 101011   | 2BH      | Even   |
| Feet Down    | 10110    | 16H      | Odd    |
| Feet Up      | 11000    | 18H      | Even   |
| Hang Up      | 100110   | 26H      | Odd    |
| Home         | 11011    | 1BH      | Even   |
| Info (Help)  | 10100    | 14H      | Even   |
| Keyboard     | 100011   | 23H      | Odd    |
| Left Arrow   | 1001     | 09H      | Even   |
| Low Battery  | 10111    | 17H      | Even   |
| Menu (Back)  | 10011    | 13H      | Odd    |
| Mute         | 111010   | 3AH      | Even   |
| Near         | 1111     | 0FH      | Even   |

| Key Name          | Key Code | Key Code | Parity |
|-------------------|----------|----------|--------|
| Option            | 101000   | 28H      | Even   |
| Pause             | 101101   | 2DH      | Even   |
| PIP               | 11101    | 1DH      | Even   |
| Play              | 101001   | 29H      | Odd    |
| Power             | 100111   | 27H      | Even   |
| Preset            | 11111    | 1FH      | Odd    |
| Record            | 101110   | 2EH      | Even   |
| Return            | 111      | 07H      | Odd    |
| Rewind            | 101100   | 2CH      | Odd    |
| Right Arrow       | 1010     | 0AH      | Even   |
| Slides (Graphics) | 10010    | 12H      | Even   |
| Snapshot (Snap)   | 10101    | 15H      | Odd    |
| Stop              | 101010   | 2AH      | Odd    |
| Up Arrow          | 101      | 05H      | Even   |
| Volume Down       | 111100   | 3CH      | Even   |
| Volume Up         | 111011   | 3BH      | Odd    |
| Zoom In           | 1101     | 0DH      | Odd    |
| Zoom Out          | 1110     | 0EH      | Odd    |

## RS-232 Serial Interface

The RS-232 serial port is implemented by an FPGA-based UART (Universal Asynchronous Receiver/Transmitter) that supports the following values.

| Mode                    | Baud Rate                                          | Parity                                         | Stop Bits      | Data Bits | Flow Control      |
|-------------------------|----------------------------------------------------|------------------------------------------------|----------------|-----------|-------------------|
| Control                 | 9600 (default), 14400, 19200, 38400, 57600, 115200 | None                                           | 1              | 8         | Off               |
| Camera PTZ              | 9600 (default), 14400, 19200, 38400, 57600, 115200 | None (Sony), Even (Polycom EagleEye HD camera) | 1              | 8         | Off               |
| Closed Caption          | 9600 (default), 14400, 19200, 38400, 57600, 115200 | None                                           | 1              | 8         | Off               |
| Vortex Mixer            | 9600 (default), 14400, 19200, 38400, 57600, 115200 | None                                           | 1              | 8         | Off (default), On |
| Pass Thru               | 9600 (default), 14400, 19200, 38400, 57600, 115200 | None (default), Even, Odd                      | 1 (default), 2 | 8         | Off (default), On |
| Polycom Annotation      | 9600                                               | None                                           | 1              | 8         | Off               |
| Interactive Touch Board | 9600                                               | None                                           | 1              | 8         | Off               |

# Secure RS-232 Interface API Permissions

You must log in with a password in order to start an RS-232 session if the system is configured with the Maximum Security Profile.

## API Permissions Table

You can log in with either the Admin ID and Admin Remote Password or the User ID and User Remote Password of the Polycom HDX system. The available API commands depend on which type of ID you use to start the session, as shown in the following table.

| API Command   | Parameter                         | User ID | Admin ID |
|---------------|-----------------------------------|---------|----------|
| !             | "string"                          | 3       | 3        |
|               | 1...64                            | 3       | 3        |
| addrbook      | all                               | 3       | 3        |
|               | batch {0..59}                     | 3       | 3        |
|               | batch search "pattern" "count"    | 3       | 3        |
|               | batch define "start_no" "stop_no" | 3       | 3        |
|               | letter {a..z}                     | 3       | 3        |
|               | range "start_no" "stop_no"        | 3       | 3        |
|               | refresh                           | 3       | 3        |
| advnetstats   | 0 ...n                            | 3       | 3        |
| alertusertone | get                               | 3       | 3        |
|               | 1 2 3 4                           |         | 3        |

| API Command             | Parameter                                                                                                                                                                             | User ID | Admin ID |
|-------------------------|---------------------------------------------------------------------------------------------------------------------------------------------------------------------------------------|---------|----------|
| alertvideotone          | get                                                                                                                                                                                   | 3       | 3        |
|                         | 1 2 3 4 5 6 7 8 9 1 0                                                                                                                                                                 |         | 3        |
| allregister             |                                                                                                                                                                                       |         | 3        |
| allunregister           |                                                                                                                                                                                       |         | 3        |
| allowabkchanges         | get                                                                                                                                                                                   | 3       | 3        |
|                         | yes                                                                                                                                                                                   |         | 3        |
|                         | no                                                                                                                                                                                    |         | 3        |
| allowcamerapresetssetup | get                                                                                                                                                                                   | 3       | 3        |
|                         | yes                                                                                                                                                                                   |         | 3        |
|                         | no                                                                                                                                                                                    |         | 3        |
| alldialing              | get                                                                                                                                                                                   | 3       | 3        |
|                         | yes                                                                                                                                                                                   |         | 3        |
|                         | no                                                                                                                                                                                    |         | 3        |
| allowmixedcalls         | get                                                                                                                                                                                   | 3       | 3        |
|                         | yes                                                                                                                                                                                   |         | 3        |
|                         | no                                                                                                                                                                                    |         | 3        |
| allowusersetup          | get                                                                                                                                                                                   | 3       | 3        |
|                         | yes                                                                                                                                                                                   |         | 3        |
|                         | no                                                                                                                                                                                    |         | 3        |
| amxdd                   | get                                                                                                                                                                                   | 3       | 3        |
|                         | on                                                                                                                                                                                    |         | 3        |
|                         | off                                                                                                                                                                                   |         | 3        |
| answer                  | video                                                                                                                                                                                 | 3       | 3        |
|                         | phone                                                                                                                                                                                 | 3       | 3        |
| areacode                | get                                                                                                                                                                                   | 3       | 3        |
|                         | set "areacode"                                                                                                                                                                        |         | 3        |
| audiometer              | <micleft   micright   lineinleft   lineinright   lineoutleft   lineoutright   contentinleft   contentinright   vcrinleft   vcrinright   vcroutright   farendleft   farendright   off> | 3       | 3        |

| API Command                                          | Parameter    | User ID | Admin ID |
|------------------------------------------------------|--------------|---------|----------|
| audiotransmitlevel                                   | get          | 3       | 3        |
|                                                      | up           | 3       | 3        |
|                                                      | down         | 3       | 3        |
|                                                      | register     | 3       | 3        |
|                                                      | unregister   | 3       | 3        |
|                                                      | set          | 3       | 3        |
| autoanswer                                           | get          | 3       | 3        |
|                                                      | yes          |         | 3        |
|                                                      | no           |         | 3        |
|                                                      | donotdisturb |         | 3        |
| autoshowcontent                                      | get          | 3       | 3        |
|                                                      |              |         | 3        |
|                                                      |              |         | 3        |
| backlightcompensation                                | get          | 3       | 3        |
|                                                      | yes          | 3       | 3        |
|                                                      | no           | 3       | 3        |
| basicmode                                            | get          | 3       | 3        |
|                                                      | on           |         | 3        |
|                                                      | off          |         | 3        |
| bri1enable<br>bri2enable<br>bri3enable<br>bri4enable | get          | 3       | 3        |
|                                                      | yes          |         | 3        |
|                                                      | no           |         | 3        |
| briallenable                                         | get          | 3       | 3        |
|                                                      | yes          |         | 3        |
|                                                      | no           |         | 3        |

| API Command      | Parameter                                                               | User ID | Admin ID |
|------------------|-------------------------------------------------------------------------|---------|----------|
| button           | <#   *   0   1   2   3   4   5   6   7   8   9   .>                     | 3       | 3        |
|                  | <down   left   right   select   up>                                     | 3       | 3        |
|                  | <auto   back   call   far   graphics   hangup   near>                   | 3       | 3        |
|                  | <help   mute   volume+   volume-   lowbattery   zoom+   zoom->          | 3       | 3        |
|                  | <pickedup   putdown>                                                    | 3       | 3        |
|                  | <camera   delete   directory   home   keyboard   period   pip   preset> | 3       | 3        |
|                  | <info   menu   slides   option>                                         | 3       | 3        |
|                  | "valid_button" ["valid_button" ...]                                     | 3       | 3        |
|                  | <mmstop   mmplay   mmpause   mmrecord   mmforward   mmrewind>           | 3       | 3        |
| calldetailreport | get                                                                     |         | 3        |
|                  | yes                                                                     |         | 3        |
|                  | no                                                                      |         | 3        |
| callinfo         | all                                                                     | 3       | 3        |
|                  | callid                                                                  | 3       | 3        |
| callstate        | get                                                                     | 3       | 3        |
|                  | register                                                                | 3       | 3        |
|                  | unregister                                                              | 3       | 3        |
| callstats        |                                                                         | 3       | 3        |



| API Command     | Parameter                                                | User ID | Admin ID |
|-----------------|----------------------------------------------------------|---------|----------|
| camera          | near {1..6}                                              | 3       | 3        |
|                 | far {1..5}                                               | 3       | 3        |
|                 | <near far> move<br><left right up down zoom+ zoom- stop> | 3       | 3        |
|                 | <near far> move <continuous discrete>                    | 3       | 3        |
|                 | <near far> source                                        | 3       | 3        |
|                 | <near far> stop                                          | 3       | 3        |
|                 | near <getposition setposition "x" "y" "z">               | 3       | 3        |
|                 | near ppcip                                               | 3       | 3        |
|                 | for-people {2..5}                                        | 3       | 3        |
|                 | for-content {2..5}                                       | 3       | 3        |
|                 | list-content                                             | 3       | 3        |
|                 | <register unregister>                                    | 3       | 3        |
|                 | register get                                             | 3       | 3        |
|                 | tracking statistics                                      | 3       | 3        |
|                 | tracking <get on off>                                    | 3       | 3        |
| cameradirection | get                                                      | 3       | 3        |
|                 | normal                                                   | 3       | 3        |
|                 | reversed                                                 | 3       | 3        |
| camerainput     | <1..5> get                                               | 3       | 3        |
|                 | <1 2 3> <s-video composite component>                    | 3       | 3        |
|                 | <4 5> <dvi vga>                                          | 3       | 3        |

| API Command            | Parameter                                                                                                                                                                          | User ID | Admin ID |
|------------------------|------------------------------------------------------------------------------------------------------------------------------------------------------------------------------------|---------|----------|
| chaircontrol           | end_conf                                                                                                                                                                           | 3       | 3        |
|                        | hangup_term "term_no"                                                                                                                                                              | 3       | 3        |
|                        | list                                                                                                                                                                               | 3       | 3        |
|                        | rel_chair                                                                                                                                                                          | 3       | 3        |
|                        | register                                                                                                                                                                           | 3       | 3        |
|                        | unregister                                                                                                                                                                         | 3       | 3        |
|                        | req_chair                                                                                                                                                                          | 3       | 3        |
|                        | req_floor                                                                                                                                                                          | 3       | 3        |
|                        | req_term_name "term_no"                                                                                                                                                            | 3       | 3        |
|                        | req_vas                                                                                                                                                                            | 3       | 3        |
|                        | set_broadcaster "term_no"                                                                                                                                                          | 3       | 3        |
|                        | set_term_name "term_no" "term_name"                                                                                                                                                | 3       | 3        |
|                        | stop_view                                                                                                                                                                          | 3       | 3        |
|                        | view "term_no"                                                                                                                                                                     | 3       | 3        |
|                        | view_broadcaster                                                                                                                                                                   | 3       | 3        |
| clientvalidatepeercert | get                                                                                                                                                                                |         | 3        |
|                        | yes                                                                                                                                                                                |         | 3        |
|                        | no                                                                                                                                                                                 |         | 3        |
| cmdecho                | on                                                                                                                                                                                 | 3       | 3        |
|                        | off                                                                                                                                                                                | 3       | 3        |
| colorbar               | on                                                                                                                                                                                 | 3       | 3        |
|                        | off                                                                                                                                                                                | 3       | 3        |
| configdisplay          | <monitor1   monitor2> get                                                                                                                                                          | 3       | 3        |
|                        | <monitor1   monitor2> <s_video   composite   vga   dvi   component> <4:3   16:9> [ <720p   1080i   1080p>   50hz720p   60hz720p   50hz1080i   60hz1080i   50hz1080p   60 hz1080p>] | 3       | 3        |
| configparam            | get                                                                                                                                                                                | 3       | 3        |
|                        | set                                                                                                                                                                                | 3       | 3        |

| API Command            | Parameter                                                                                                  | User ID | Admin ID |
|------------------------|------------------------------------------------------------------------------------------------------------|---------|----------|
| configpresentation     | get                                                                                                        | 3       | 3        |
|                        | <monitor1   monitor2> get                                                                                  | 3       | 3        |
|                        | <monitor1   monitor2> <near   far   content   near-or-far   content-or-near   content-or-far   all   none> | 3       | 3        |
|                        | monitor1 "value" monitor2 "value"                                                                          | 3       | 3        |
| confirmdiradd          | get                                                                                                        | 3       | 3        |
|                        | yes                                                                                                        |         | 3        |
|                        | no                                                                                                         |         | 3        |
| confirmdirdel          | get                                                                                                        | 3       | 3        |
|                        | yes                                                                                                        |         | 3        |
|                        | no                                                                                                         |         | 3        |
| contentauto            | get                                                                                                        | 3       | 3        |
|                        | on                                                                                                         | 3       | 3        |
|                        | off                                                                                                        | 3       | 3        |
| contentsplash          | get                                                                                                        |         | 3        |
|                        | yes                                                                                                        |         | 3        |
|                        | no                                                                                                         |         | 3        |
| contentvideoadjustment | normal                                                                                                     |         | 3        |
|                        | stretch                                                                                                    |         | 3        |
|                        | zoom                                                                                                       |         | 3        |
|                        | get                                                                                                        | 3       | 3        |
| country                | get                                                                                                        | 3       | 3        |
| cts                    | get                                                                                                        | 3       | 3        |
|                        | normal                                                                                                     |         | 3        |
|                        | inverted                                                                                                   |         | 3        |
|                        | ignore                                                                                                     |         | 3        |
| daylightsavings        | get                                                                                                        | 3       | 3        |
|                        | yes                                                                                                        |         | 3        |
|                        | no                                                                                                         |         | 3        |

| API Command                                | Parameter                                                      | User ID | Admin ID |
|--------------------------------------------|----------------------------------------------------------------|---------|----------|
| dcd                                        | normal                                                         |         | 3        |
|                                            | Inverted                                                       |         | 3        |
| dcdfilter                                  | get                                                            | 3       | 3        |
|                                            | on                                                             |         | 3        |
|                                            | off                                                            |         | 3        |
| defaultgateway                             | set "xxx.xxx.xxx.xxx"                                          |         | 3        |
| destunreachabletx                          | get                                                            |         | 3        |
|                                            | yes                                                            |         | 3        |
|                                            | no                                                             |         | 3        |
| dhcp                                       | get                                                            | 3       | 3        |
|                                            | off                                                            |         | 3        |
|                                            | client                                                         |         | 3        |
| dial                                       | addressbook "addr book name"                                   | 3       | 3        |
|                                            | auto "speed" "dialstr"                                         | 3       | 3        |
|                                            | manual <56 64> "dialstr1" "dialstr2" [h320]                    | 3       | 3        |
|                                            | manual "speed" "dialstr1" ["dialstr2"] [h323 h320 ip isdn sip] | 3       | 3        |
|                                            | "dialstr", "dialstr1", "dialstr2"                              | 3       | 3        |
|                                            | phone "dialstring"                                             | 3       | 3        |
|                                            | pots isdn_phone sip_speakerphone                               | 3       | 3        |
| dialchannels                               | get                                                            | 3       | 3        |
|                                            | set                                                            |         | 3        |
|                                            | n                                                              |         | 3        |
| diffservaudio, diffservfecc, diffservvideo | get                                                            | 3       | 3        |
|                                            | set {0..63}                                                    |         | 3        |
| directory                                  | get                                                            | 3       | 3        |
|                                            | yes                                                            |         | 3        |
|                                            | no                                                             |         | 3        |
| display (deprecated)                       | call                                                           |         | 3        |
|                                            | whoami                                                         |         | 3        |

| API Command      | Parameter             | User ID | Admin ID |
|------------------|-----------------------|---------|----------|
| displaygraphics  | get                   | 3       | 3        |
|                  | yes                   |         | 3        |
|                  | no                    |         | 3        |
| displayipext     | get                   | 3       | 3        |
|                  | yes                   |         | 3        |
|                  | no                    |         | 3        |
| displayparams    |                       |         | 3        |
| dns              | get                   |         | 3        |
|                  | {1..4}                |         | 3        |
|                  | set "xxx.xxx.xxx.xxx" |         | 3        |
| dsr              | get                   | 3       | 3        |
|                  | normal                |         | 3        |
|                  | inverted              |         | 3        |
| dsranswer        | get                   | 3       | 3        |
|                  | on                    |         | 3        |
|                  | off                   |         | 3        |
| dtr              | get                   | 3       | 3        |
|                  | normal                |         | 3        |
|                  | inverted              |         | 3        |
|                  | on                    |         | 3        |
| dualmonitor      | get                   | 3       | 3        |
|                  | yes                   | 3       | 3        |
|                  | no                    | 3       | 3        |
| dynamicbandwidth | get                   | 3       | 3        |
|                  | yes                   |         | 3        |
|                  | no                    |         | 3        |
| e164ext          | get                   | 3       | 3        |
|                  | set                   |         | 3        |
|                  | "e.164name"           |         | 3        |
| echo             | "string"              |         | 3        |

| API Command                  | Parameter              | User ID | Admin ID |
|------------------------------|------------------------|---------|----------|
| echocanceller                | get                    | 3       | 3        |
|                              | yes                    |         | 3        |
|                              | no                     |         | 3        |
| echoreply                    | get                    |         | 3        |
|                              | yes                    |         | 3        |
|                              | no                     |         | 3        |
| enablekeyboardnoisereduction | get                    | 3       | 3        |
|                              | yes                    |         | 3        |
|                              | no                     |         | 3        |
| enablelivemusicmode          | get                    | 3       | 3        |
|                              | yes                    |         | 3        |
|                              | no                     |         | 3        |
| enablepvec                   | get                    | 3       | 3        |
|                              | yes                    |         | 3        |
|                              | no                     |         | 3        |
| enablersvp                   | get                    | 3       | 3        |
|                              | yes                    |         | 3        |
|                              | no                     |         | 3        |
| encryption                   | get                    | 3       | 3        |
|                              | yes                    |         | 3        |
|                              | no                     |         | 3        |
|                              | requiredvideocallsonly |         | 3        |
|                              | requiredallcalls       |         | 3        |
| exit                         |                        | 3       | 3        |
| farcontrolnearcamera         | get                    | 3       | 3        |
|                              | yes                    |         | 3        |
|                              | no                     |         | 3        |

| API Command        | Parameter                         | User ID | Admin ID |
|--------------------|-----------------------------------|---------|----------|
| farnametimedisplay | get                               | 3       | 3        |
|                    | on                                |         | 3        |
|                    | off                               |         | 3        |
|                    | 15 30 60 120                      |         | 3        |
| flash              | callid                            | 3       | 3        |
|                    | duration                          | 3       | 3        |
| gaddrbook          | all                               | 3       | 3        |
|                    | batch {0..59}                     | 3       | 3        |
|                    | batch define "start_no" "stop_no" | 3       | 3        |
|                    | search "pattern" "count"          | 3       | 3        |
|                    | letter {a..z}                     | 3       | 3        |
|                    | range "start_no" "stop_no"        | 3       | 3        |
|                    | refresh                           | 3       | 3        |
| gatekeeperip       | get                               |         | 3        |
|                    | set "xxx.xxx.xxx.xxx"             |         | 3        |
| gatewayareacode    | get                               | 3       | 3        |
|                    | set "areacode"                    |         | 3        |
| gatewaycountrycode | get                               | 3       | 3        |
|                    | set "countrycode"                 |         | 3        |
| gatewayext         | get                               | 3       | 3        |
|                    | set "extension"                   |         | 3        |
| gatewaynumber      | get                               | 3       | 3        |
|                    | set "number"                      |         | 3        |
| gatewaynumbertype  | get                               | 3       | 3        |
|                    | did                               |         | 3        |
|                    | number+extension                  |         | 3        |
| gatewayprefix      | get "valid speed"                 | 3       | 3        |
|                    | set "value"                       |         | 3        |
| gatewaysetup       |                                   | 3       | 3        |

| API Command            | Parameter                                                                                                  | User ID | Admin ID |
|------------------------|------------------------------------------------------------------------------------------------------------|---------|----------|
| gatewaysuffix          | get "valid speed"                                                                                          | 3       | 3        |
|                        | set "value"                                                                                                |         | 3        |
| gential                | {0..9}                                                                                                     | 3       | 3        |
|                        | #                                                                                                          | 3       | 3        |
|                        | *                                                                                                          | 3       | 3        |
| generatetone           | on                                                                                                         | 3       | 3        |
|                        | off                                                                                                        | 3       | 3        |
| get screen             |                                                                                                            |         | 3        |
| getcallstate           |                                                                                                            | 3       | 3        |
| getconfiguredipaddress |                                                                                                            |         | 3        |
| h239enable             | get                                                                                                        | 3       | 3        |
|                        | yes                                                                                                        |         | 3        |
|                        | no                                                                                                         |         | 3        |
| h323name               | get                                                                                                        | 3       | 3        |
|                        | set "H.323name"                                                                                            |         | 3        |
| h331audiomode          | get                                                                                                        | 3       | 3        |
|                        | g729   g728   g711u   g711a   g722-56   g722-48   g7221-16   g7221-24   g7221-32   siren14   siren14stereo |         | 3        |
|                        | off                                                                                                        |         | 3        |
| h331dualstream         | get                                                                                                        | 3       | 3        |
|                        | on                                                                                                         |         | 3        |
|                        | off                                                                                                        |         | 3        |
| h331framerate          | get                                                                                                        | 3       | 3        |
|                        | 30 15 10 7.5                                                                                               |         | 3        |
| h331videoformat        | get                                                                                                        | 3       | 3        |
|                        | fcif                                                                                                       |         | 3        |
| h331videoprotocol      | get                                                                                                        | 3       | 3        |
|                        | h264 h263+ h263 h261                                                                                       |         | 3        |



| API Command                 | Parameter                                                                 | User ID | Admin ID |
|-----------------------------|---------------------------------------------------------------------------|---------|----------|
| hangup                      | phone                                                                     | 3       | 3        |
|                             | video                                                                     | 3       | 3        |
|                             | all                                                                       | 3       | 3        |
| history                     |                                                                           | 3       | 3        |
| homecallquality             | get                                                                       | 3       | 3        |
|                             | yes                                                                       |         | 3        |
|                             | no                                                                        |         | 3        |
| homerecentcalls             | get                                                                       | 3       | 3        |
|                             | yes                                                                       |         | 3        |
|                             | no                                                                        |         | 3        |
| homesystem                  | get                                                                       | 3       | 3        |
|                             | yes                                                                       |         | 3        |
|                             | no                                                                        |         | 3        |
| homesystemname              | get                                                                       | 3       | 3        |
|                             | yes                                                                       |         | 3        |
|                             | no                                                                        |         | 3        |
| hostname                    | get                                                                       | 3       | 3        |
|                             | set "hostname"                                                            |         | 3        |
| icmpoutpacketrate           | get                                                                       |         | 3        |
|                             | set integer value                                                         |         | 3        |
| ignoreredirect              | get                                                                       |         | 3        |
|                             | yes                                                                       |         | 3        |
|                             | no                                                                        |         | 3        |
| incompleteterevocationcheck | get                                                                       |         | 3        |
|                             | yes                                                                       |         | 3        |
|                             | no                                                                        |         | 3        |
| ipaddress                   | get                                                                       | 3       | 3        |
|                             | set "xxx.xxx.xxx.xxx"<br><b>Note:</b> set is not allowed while in a call. |         | 3        |
| ipdialspeed                 | get "valid speed"                                                         | 3       | 3        |
|                             | set "valid speed" <on, off>                                               |         | 3        |

| API Command                         | Parameter                                                                               | User ID | Admin ID |
|-------------------------------------|-----------------------------------------------------------------------------------------|---------|----------|
| ipisdninfo                          | get                                                                                     | 3       | 3        |
|                                     | both                                                                                    |         | 3        |
|                                     | ip-only                                                                                 |         | 3        |
|                                     | isdn-only                                                                               |         | 3        |
|                                     | none                                                                                    |         | 3        |
| ipprecaudio, ipprefecc, ipprecvideo | get                                                                                     | 3       | 3        |
|                                     | set                                                                                     |         | 3        |
| ipstat                              |                                                                                         |         | 3        |
| ipv6addrmode                        | get                                                                                     |         | 3        |
|                                     | client                                                                                  |         | 3        |
|                                     | manual                                                                                  |         | 3        |
|                                     | off                                                                                     |         | 3        |
| ipv6defaultgateway                  | get                                                                                     |         | 3        |
|                                     | set <IPv6 default gateway>                                                              |         | 3        |
| ipv6globaladdress                   | get                                                                                     |         | 3        |
|                                     | set <ipv6 global address>                                                               |         | 3        |
| ipv6linklocal                       | get                                                                                     |         | 3        |
|                                     | set <ipv6 link local address>                                                           |         | 3        |
| ipv6sitelocal                       | get                                                                                     |         | 3        |
|                                     | set <ipv6 site local address>                                                           |         | 3        |
| isdnareacode                        | get                                                                                     | 3       | 3        |
|                                     | set "area code"                                                                         |         | 3        |
| isdncountrycode                     | get                                                                                     | 3       | 3        |
|                                     | set "country code"                                                                      |         | 3        |
| isdndialingprefix                   | get                                                                                     | 3       | 3        |
|                                     | set "isdn prefix"                                                                       |         | 3        |
| isdndialspeed                       | get "valid speed"                                                                       | 3       | 3        |
|                                     | set "valid speed" <on, off>                                                             |         | 3        |
| isdnum                              | get 1b1 1b2 2b1 2b2 3b1 3b2 4b1 4b2                                                     | 3       | 3        |
|                                     | <b>Note:</b> set is not allowed while in a call.<br>set 1b1 1b2 2b1 2b2 3b1 3b2 4b1 4b2 |         | 3        |

| API Command                                                    | Parameter                                                                                               | User ID  | Admin ID |
|----------------------------------------------------------------|---------------------------------------------------------------------------------------------------------|----------|----------|
| isdnswitch<br><b>Note:</b> set is not allowed while in a call. | get                                                                                                     |          | 3        |
|                                                                | pt-to-pt_at&t_5_ess multipoint_at&t_5_ess ni-1 nortel_dms-100 standard_etsi_euro-isdn ts-031 ntt_ins-64 |          | 3        |
| keypadaudioconf                                                | get                                                                                                     | 3        | 3        |
|                                                                | yes                                                                                                     | 3        | 3        |
|                                                                | no                                                                                                      | 3        | 3        |
| language                                                       | get                                                                                                     | 3        | 3        |
|                                                                | set                                                                                                     |          | 3        |
| lanport<br><b>Note:</b> set is not allowed while in a call.    | get                                                                                                     |          | 3        |
|                                                                | 10, 10hdx, 10fdx, 100, 100hdx, 100fdx                                                                   |          | 3        |
| ldapauthenticationtype                                         | get                                                                                                     |          | 3        |
|                                                                | set                                                                                                     |          | 3        |
|                                                                | anonymous                                                                                               |          | 3        |
|                                                                | basic                                                                                                   |          | 3        |
|                                                                | ntlm                                                                                                    |          | 3        |
| ldapbasedn                                                     | get                                                                                                     |          | 3        |
|                                                                | set "base dn"                                                                                           |          | 3        |
| ldapbinddn                                                     | get                                                                                                     |          | 3        |
|                                                                | set "bind dn"                                                                                           |          | 3        |
| ldapdirectory                                                  | get                                                                                                     | 3        | 3        |
|                                                                | yes                                                                                                     |          | 3        |
|                                                                | no                                                                                                      |          | 3        |
| ldapntlm domain                                                | get                                                                                                     |          | 3        |
|                                                                | set "domain"                                                                                            |          | 3        |
| ldappassword                                                   | set <ntlm basic> ["password"]                                                                           | disabled | disabled |
| ldapserveraddress                                              | get                                                                                                     |          | 3        |
|                                                                | set "address"                                                                                           |          | 3        |
| ldapserverport                                                 | get                                                                                                     |          | 3        |
|                                                                | set                                                                                                     |          | 3        |

| API Command                  | Parameter         | User ID | Admin ID |
|------------------------------|-------------------|---------|----------|
| ldapsslenabled               | get               |         | 3        |
|                              | set [on, off]     |         | 3        |
| ldapusername                 | get               |         | 3        |
|                              | set "user name"   |         | 3        |
| linestate                    | get               | 3       | 3        |
|                              | register          | 3       | 3        |
|                              | unregister        | 3       | 3        |
| listen                       | video             | 3       | 3        |
|                              | phone             | 3       | 3        |
|                              | sleep             | 3       | 3        |
| localdatetime                | get               | 3       | 3        |
|                              | yes               |         | 3        |
|                              | no                |         | 3        |
| loginwindowduration          | get               |         | 3        |
|                              | set               |         | 3        |
| marqueedisplaytext           | get               | 3       | 3        |
|                              | set "text"        |         | 3        |
| maxgabinternationalcallspeed | get               | 3       | 3        |
|                              | set "valid speed" |         | 3        |
| maxgabinternetcallspeed      | get               | 3       | 3        |
|                              | set "valid speed" |         | 3        |
| maxgabisdncallspeed          | get               | 3       | 3        |
|                              | set "valid speed" |         | 3        |
| maxtimeincall                | get               | 3       | 3        |
|                              | set {0..999}      |         | 3        |
| mcupassword                  | "password"        | 3       | 3        |
| meetingpassword              | set "password"    | 3       | 3        |
| monitor1screensaveroutput    | get               | 3       | 3        |
|                              | black             |         | 3        |
|                              | no_signal         |         | 3        |

| API Command               | Parameter                       | User ID | Admin ID |
|---------------------------|---------------------------------|---------|----------|
| monitor2screensaveroutput | get                             | 3       | 3        |
|                           | black                           |         | 3        |
|                           | no_signal                       |         | 3        |
| mpautoanswer              | get                             | 3       | 3        |
|                           | yes                             |         | 3        |
|                           | no                              |         | 3        |
|                           | donotdisturb                    |         | 3        |
| mpmode                    | get                             | 3       | 3        |
|                           | auto                            | 3       | 3        |
|                           | discussion                      | 3       | 3        |
|                           | presentation                    | 3       | 3        |
|                           | fullscreen                      | 3       | 3        |
| mtumode                   | get                             | 3       | 3        |
|                           | default                         |         | 3        |
|                           | specify                         |         | 3        |
| mtusize                   | get                             | 3       | 3        |
|                           | 660 780 900 1020 1140 1260 1500 |         | 3        |
| mute                      | <register unregister>           | 3       | 3        |
|                           | near <get on off toggle>        | 3       | 3        |
|                           | far get                         | 3       | 3        |
| muteautoanswer            | get                             | 3       | 3        |
|                           | yes                             |         | 3        |
|                           | no                              |         | 3        |
| natconfig                 | get                             | 3       | 3        |
|                           | auto                            |         | 3        |
|                           | manual                          |         | 3        |
|                           | off                             |         | 3        |
| nath323compatible         | get                             | 3       | 3        |
|                           | yes                             |         | 3        |
|                           | set                             |         | 3        |

| API Command        | Parameter                             | User ID | Admin ID |
|--------------------|---------------------------------------|---------|----------|
| nearloop           | on                                    | 3       | 3        |
|                    | off                                   | 3       | 3        |
| netstats           | {0..n}                                | 3       | 3        |
| nonotify           | callstatus                            | 3       | 3        |
|                    | captions                              | 3       | 3        |
|                    | linestatus                            | 3       | 3        |
|                    | mutestatus                            | 3       | 3        |
|                    | screenchanges                         | 3       | 3        |
|                    | sysstatus                             | 3       | 3        |
|                    | sysalerts                             | 3       | 3        |
|                    | vidsourcechanges                      | 3       | 3        |
| notify             | notify                                | 3       | 3        |
|                    | callstatus                            | 3       | 3        |
|                    | captions                              | 3       | 3        |
|                    | linestatus                            | 3       | 3        |
|                    | mutestatus                            | 3       | 3        |
|                    | screenchanges                         | 3       | 3        |
|                    | sysstatus                             | 3       | 3        |
|                    | sysalerts                             | 3       | 3        |
|                    | vidsourcechanges                      | 3       | 3        |
| ntpmode            | get                                   | 3       | 3        |
|                    | auto                                  |         | 3        |
|                    | off                                   |         | 3        |
|                    | manual                                |         | 3        |
| ntpsecondaryserver | get                                   |         | 3        |
|                    | set <"server name" "xxx.xxx.xxx.xxx"> |         | 3        |
| ntpserver          | get                                   |         | 3        |
|                    | set <"server name" "xxx.xxx.xxx.xxx"> |         | 3        |
| numdigitsdid       | get                                   | 3       | 3        |
|                    | {0..24}                               |         | 3        |

| API Command           | Parameter                                             | User ID | Admin ID |
|-----------------------|-------------------------------------------------------|---------|----------|
| numdigitstxt          | get                                                   | 3       | 3        |
|                       | {0..24}                                               |         | 3        |
| oobcomplete           |                                                       |         | 3        |
| pause                 | {0..65535}                                            | 3       | 3        |
| phone                 | clear                                                 | 3       | 3        |
|                       | flash                                                 | 3       | 3        |
| peoplevideoadjustment | normal                                                |         | 3        |
|                       | stretch                                               |         | 3        |
|                       | zoom                                                  |         | 3        |
|                       | get                                                   | 3       | 3        |
| pip                   | <get on off camera swap register unregister location> | 3       | 3        |
|                       | location <get 0 1 2 3>                                | 3       | 3        |
| popupinfo             | register                                              |         | 3        |
|                       | unregister                                            |         | 3        |
|                       | get                                                   |         | 3        |
| preset                | <register unregister>                                 | 3       | 3        |
|                       | register get                                          | 3       | 3        |
|                       | far <go set> <{0..15}>                                | 3       | 3        |
|                       | near <go set> <{0..99}>                               | 3       | 3        |
| pricallbycall         | get                                                   | 3       | 3        |
|                       | set {0..31}                                           |         | 3        |
| prichannel            | get all                                               | 3       | 3        |
|                       | get {1..n}                                            | 3       | 3        |
|                       | set all <on off>                                      |         | 3        |
|                       | set {1..n} <on off>                                   |         | 3        |
| pricsu                | get                                                   | 3       | 3        |
|                       | internal                                              |         | 3        |
|                       | external                                              |         | 3        |
| pridialchannels       | get                                                   | 3       | 3        |
|                       | set {1..n}                                            |         | 3        |

| API Command      | Parameter                                                                  | User ID  | Admin ID |
|------------------|----------------------------------------------------------------------------|----------|----------|
| priintlprefix    | get                                                                        | 3        | 3        |
|                  | set "prefix"                                                               |          | 3        |
| prilinebuildout  | get                                                                        | 3        | 3        |
|                  | set <0 -7.5 -15 -22.5>                                                     |          | 3        |
|                  | set <0-133 134-266 267-399 400-533 534-665>                                |          | 3        |
| prilinesignal    | get                                                                        | 3        | 3        |
|                  | set <esf/b8zs crc4/hdb3 hdb3>                                              |          | 3        |
| prinumberingplan | get                                                                        | 3        | 3        |
|                  | isdn                                                                       |          | 3        |
|                  | unknown                                                                    |          | 3        |
| prioutsideline   | get                                                                        | 3        | 3        |
|                  | set "outside line"                                                         |          | 3        |
| priswitch        | get                                                                        |          | 3        |
|                  | set <att5ess   att4ess   norteldms ni2   net5/ctr4   nttins-1500   ts-038> |          | 3        |
| reboot           | [y now n]                                                                  | 3        | 3        |
| recentcalls      |                                                                            |          | 3        |
| registerall      |                                                                            |          | 3        |
| resetsystem      | deletesystemsettings                                                       |          | 3        |
|                  | deletelocaldirectory                                                       |          | 3        |
|                  | deletecdr                                                                  |          | 3        |
|                  | deletelogs                                                                 |          | 3        |
| roomphonenumber  | get                                                                        | 3        | 3        |
|                  | set "number"                                                               |          | 3        |
| rs232 baud       | get                                                                        | 3        | 3        |
|                  | 9600 14400 19200 38400 57600 115200                                        |          | 3        |
| rs232port1 baud  | get                                                                        | 3        | 3        |
|                  | 9600 14400 19200 38400 57600 115200                                        |          | 3        |
| rs232 mode       | off                                                                        |          | 3        |
|                  | control                                                                    | disabled | 3        |



| API Command          | Parameter                                      | User ID  | Admin ID |
|----------------------|------------------------------------------------|----------|----------|
| rs232port1 mode      | off                                            |          | 3        |
|                      | control                                        | disabled | 3        |
| rs366dialing         | get                                            | 3        | 3        |
|                      | on                                             |          | 3        |
|                      | off                                            |          | 3        |
| rt                   | get                                            | 3        | 3        |
|                      | normal                                         |          | 3        |
|                      | inverted                                       |          | 3        |
| rts                  | get                                            | 3        | 3        |
|                      | normal                                         |          | 3        |
|                      | inverted                                       |          | 3        |
| screen               |                                                | 3        | 3        |
|                      | register get                                   | 3        | 3        |
|                      | [register unregister]                          | 3        | 3        |
|                      | "screen name"                                  | 3        | 3        |
| screencontrol        | enable <all none "screen_name">                |          | 3        |
|                      | disable <all none "screen_name">               |          | 3        |
| serialnum            |                                                | 3        | 3        |
| servvalidatepeercert | get                                            |          | 3        |
|                      | yes                                            |          | 3        |
|                      | no                                             |          | 3        |
| session              | name "session name"                            | 3        | 3        |
|                      | find "session name"                            | 3        | 3        |
| sessionsenabled      | get                                            |          | 3        |
|                      | yes                                            |          | 3        |
|                      | no                                             |          | 3        |
| setpassword          | admin room "currentacctpasswd" "newacctpasswd" |          | 3        |
| showpopup            | "text to display"                              |          | 3        |

| API Command                                                       | Parameter                                             | User ID | Admin ID |
|-------------------------------------------------------------------|-------------------------------------------------------|---------|----------|
| sleep                                                             |                                                       | 3       | 3        |
|                                                                   | register                                              | 3       | 3        |
|                                                                   | unregister                                            | 3       | 3        |
| sleeptext                                                         | get                                                   | 3       | 3        |
|                                                                   | set "text"                                            |         | 3        |
| sleeptime                                                         | get                                                   | 3       | 3        |
|                                                                   | 0 1 3 15 30 60 120 <br>240 480                        |         | 3        |
| soundeffectsvolume                                                | get                                                   | 3       | 3        |
|                                                                   | set {0..10}                                           | 3       | 3        |
|                                                                   | test                                                  | 3       | 3        |
| spidnum<br><b>Note:</b><br>set is not allowed while in a call.    | get <all 1b1 1b2 2b1 2b2 3b1 3b2 4b1 4b2>             | 3       | 3        |
|                                                                   | set <1b1 1b2 2b1 2b2 3b1 3b2 4b1 4b2> ["spid number"] |         | 3        |
| sslverificationdepth                                              | get                                                   |         | 3        |
|                                                                   | set                                                   |         | 3        |
| st                                                                | get                                                   | 3       | 3        |
|                                                                   | normal                                                |         | 3        |
|                                                                   | inverted                                              |         | 3        |
| subnetmask<br><b>Note:</b><br>set is not allowed while in a call. | get                                                   | 3       | 3        |
|                                                                   | set "xxx.xxx.xxx.xxx"                                 |         | 3        |
| sysinfo                                                           | get                                                   | 3       | 3        |
|                                                                   | register                                              | 3       | 3        |
|                                                                   | unregister                                            | 3       | 3        |
| systemname                                                        | get                                                   | 3       | 3        |
|                                                                   | set "system name"                                     |         | 3        |
| systemsetting telnetenabled                                       | get                                                   |         | 3        |
|                                                                   | on                                                    |         | 3        |
|                                                                   | off                                                   |         | 3        |
|                                                                   | port24only                                            |         | 3        |

| API Command                                                     | Parameter                 | User ID | Admin ID |
|-----------------------------------------------------------------|---------------------------|---------|----------|
| tcpports<br><b>Note:</b><br>set is not allowed while in a call. | get                       | 3       | 3        |
|                                                                 | set                       |         | 3        |
| techsupport                                                     | “phone num”               | 3       | 3        |
| teleareacode                                                    | get                       | 3       | 3        |
|                                                                 | set “telephone_area_code” |         | 3        |
| teleniumber                                                     | get                       | 3       | 3        |
|                                                                 | set “telephone number”    |         | 3        |
| timediffgmt                                                     | get                       | 3       | 3        |
|                                                                 | {-12:00..+12:00}          |         | 3        |
| typesofservice                                                  | get                       | 3       | 3        |
|                                                                 | ipprecedence              |         | 3        |
|                                                                 | diffserv                  |         | 3        |
| udpports<br><b>Note:</b><br>set is not allowed while in a call. | get                       | 3       | 3        |
|                                                                 | set [{1024..49150}]       |         | 3        |
| unregisterall                                                   |                           |         | 3        |
| usefixedports                                                   | get                       | 3       | 3        |
|                                                                 | yes                       |         | 3        |
|                                                                 | no                        |         | 3        |
| usegatekeeper                                                   | get                       | 3       | 3        |
|                                                                 | off                       |         | 3        |
|                                                                 | specify                   |         | 3        |
|                                                                 | auto                      |         | 3        |
| usepathnavigator                                                | get                       | 3       | 3        |
|                                                                 | always                    |         | 3        |
|                                                                 | never                     |         | 3        |
|                                                                 | required                  |         | 3        |
| useroompassword                                                 | get                       |         | 3        |
|                                                                 | no                        |         | 3        |
|                                                                 | yes                       |         | 3        |

| API Command                                                             | Parameter                                                                                                            | User ID | Admin ID |
|-------------------------------------------------------------------------|----------------------------------------------------------------------------------------------------------------------|---------|----------|
| v35broadcastmode<br><b>Note:</b><br>set is not allowed while in a call. | get                                                                                                                  | 3       | 3        |
|                                                                         | on                                                                                                                   |         | 3        |
|                                                                         | off                                                                                                                  |         | 3        |
| v35dialingprotocol                                                      | get                                                                                                                  | 3       | 3        |
|                                                                         | rs366                                                                                                                |         | 3        |
| v35num<br><b>Note:</b><br>set is not allowed while in a call.           | get <1b1 1b2>                                                                                                        | 3       | 3        |
|                                                                         | set <1b1 1b2>   ["v35 number"]                                                                                       |         | 3        |
| v35portsused                                                            | get                                                                                                                  | 3       | 3        |
|                                                                         | <1 1+2>                                                                                                              |         | 3        |
| v35prefix                                                               | get "valid speed"                                                                                                    | 3       | 3        |
|                                                                         | set "valid speed" ["value"]                                                                                          |         | 3        |
| v35profile                                                              | get                                                                                                                  | 3       | 3        |
|                                                                         | adtran adtran_isu512 ascend ascend_vsx <br>ascend_max avaya_mcu custom_1 fvc.com <br>initial lucent_mcu madge_teleos |         | 3        |
| v35suffix                                                               | get "valid speed"                                                                                                    | 3       | 3        |
|                                                                         | set "valid speed" ["value"]                                                                                          |         | 3        |
| vcbutton                                                                | play {2..5}                                                                                                          | 3       | 3        |
|                                                                         | <get stop register unregister>                                                                                       | 3       | 3        |
|                                                                         | map <get {2..5}>                                                                                                     | 3       | 3        |
|                                                                         | source get                                                                                                           | 3       | 3        |
| vcraudioout                                                             | get                                                                                                                  | 3       | 3        |
|                                                                         | yes                                                                                                                  |         | 3        |
|                                                                         | no                                                                                                                   |         | 3        |
| vcrecordsource                                                          | get                                                                                                                  | 3       | 3        |
|                                                                         | <near   far   auto   content   content-or-near  <br>content-or-far   content-or-auto   none>                         | 3       | 3        |
| vgaqualitypreference                                                    | get                                                                                                                  | 3       | 3        |
|                                                                         | content                                                                                                              | 3       | 3        |
|                                                                         | people                                                                                                               | 3       | 3        |
|                                                                         | both                                                                                                                 | 3       | 3        |

| API Command      | Parameter                            | User ID  | Admin ID |
|------------------|--------------------------------------|----------|----------|
| videocallorder   | <isdn h323 sip gateway323> <1 2 3 4> |          | 3        |
| voicecallorder   | <isdn_phone pots> <1 2>              |          | 3        |
| volume           | get                                  | 3        | 3        |
|                  | set                                  |          | 3        |
|                  | up                                   |          | 3        |
|                  | down                                 |          | 3        |
|                  | register                             |          | 3        |
|                  | unregister                           |          | 3        |
|                  | range                                |          | 3        |
| vortex           | <0 1> mute <on off>                  | disabled | disabled |
|                  | <0 1> forward "vortex_macro"         | disabled | disabled |
| waitfor          | <systemready callcomplete>           | 3        | 3        |
| wake             |                                      | 3        | 3        |
| wanipaddress     | get                                  | 3        | 3        |
|                  | set "xxx.xxx.xxx.xxx"                |          | 3        |
| webport          | get                                  |          | 3        |
|                  | set                                  |          | 3        |
| whitelistenabled | get                                  |          | 3        |
|                  | yes                                  |          | 3        |
|                  | no                                   |          | 3        |



---

# Categorical List of API Commands

You can view the table of contents for this book to see an alphabetical list of available API commands. These commands are categorized into the following sections:

- [Local Directory Commands](#) on page [E-2](#)
- [Call Function Commands](#) on page [E-2](#)
- [Conference Setting Commands](#) on page [E-3](#)
- [Chair Control Commands](#) on page [E-4](#)
- [Global Services Commands](#) on page [E-4](#)
- [LAN, WAN, and IP Commands](#) on page [E-5](#)
- [H320, POTS and Miscellaneous Network Commands](#) on page [E-7](#)
- [Video and Audio Commands](#) on page [E-9](#)
- [Registration Commands](#) on page [E-11](#)
- [System Commands](#) on page [E-11](#)
- [User Interface and System Display/Sound Commands](#) on page [E-12](#)
- [Miscellaneous Commands](#) on page [E-13](#)

## Local Directory Commands

- [abk \(deprecated\)](#) on page 4-9 (all Polycom HDX system versions)
- [addrbook](#) on page 4-12 (Polycom HDX system versions 2.5 and later)

## Call Function Commands

### Calling Commands

- [answer](#) on page 4-28
- [dial](#) on page 4-95
- [flash](#) on page 4-135
- [gential](#) on page 4-154
- [gentialtonepots \(deprecated\)](#) on page 4-155
- [hangup](#) on page 4-176
- [phone](#) on page 4-265

### Call Status Request

- [advnetstats](#) on page 4-15
- [callinfo](#) on page 4-61
- [getcallstate](#) on page 4-158
- [netstats](#) on page 4-249

### Call Logging Data

- [callstats](#) on page 4-64
- [calldetail](#) on page 4-59
- [calldetailreport](#) on page 4-60
- [display \(deprecated\)](#) on page 4-102
- [recentcalls](#) on page 4-283

### Call Registrations

- [callstate](#) on page 4-62
- [listen](#) on page 4-225
- [notify](#) on page 4-250
- [nonotify](#) on page 4-251



## Call Account Settings

- [requireacctnumtodial](#) on page 4-288
- [setaccountnumber](#) on page 4-304
- [validateacctnum](#) on page 4-347

## Call Preference Settings

- [maxtimeincall](#) on page 4-232
- [videocallorder](#) on page 4-355
- [voicecallorder](#) on page 4-356

# Conference Setting Commands

## Conference Settings

- [autoanswer](#) on page 4-34
- [autoshowcontent](#) on page 4-35
- [basicmode](#) on page 4-37
- [contentauto](#) on page 4-84
- [dualmonitor](#) on page 4-114
- [dynamicbandwidth](#) on page 4-115
- [encryption](#) on page 4-126
- [enablepvec](#) on page 4-123
- [farcontrolnearcamera](#) on page 4-133
- [h239enable](#) on page 4-169
- [mpautoanswer](#) on page 4-239
- [mpmode](#) on page 4-240
- [muteautoanswer](#) on page 4-245
- [pip](#) on page 4-266
- [vgaqualitypreference](#) on page 4-354

## Conference Password Settings

- [mcpassword](#) on page 4-233
- [meetingpassword](#) on page 4-234

## Chair Control Commands

- [chaircontrol](#) on page 4-71

## Global Services Commands

### Calendar Commands

- [calendardomain](#) on page 4-44
- [calendarmeetings](#) on page 4-45
- [calendarpassword](#) on page 4-50
- [calendarplaytone](#) on page 4-51
- [calendarregisterwithserver](#) on page 4-52
- [calendarremindertime](#) on page 4-53
- [calendarresource](#) on page 4-54
- [calendarserver](#) on page 4-55
- [calendarshowpvtmeetings](#) on page 4-56
- [calendarstatus](#) on page 4-57
- [calendaruser](#) on page 4-58

### GAB and GDS Commands

- [addressdisplayedingab](#) on page 4-14
- [gabk \(deprecated\)](#) on page 4-136
- [gabpassword](#) on page 4-139
- [gabserverip](#) on page 4-140
- [gaddrbook](#) on page 4-141
- [maxgabinternationalcallspeed](#) on page 4-229
- [maxgabinternetcallspeed](#) on page 4-230
- [maxgabisdncallspeed](#) on page 4-231
- [registerthissystem](#) on page 4-285

### GMS Commands

- [gmscity](#) on page 4-160
- [gmscontactemail](#) on page 4-161
- [gmscontactfax](#) on page 4-162
- [gmscontactnumber](#) on page 4-163
- [gmscontactperson](#) on page 4-164

- [gmscountry](#) on page 4-165
- [gmsstate](#) on page 4-166
- [gmstechsupport](#) on page 4-167
- [gmsurl](#) on page 4-168

## LDAP Commands

- [ldapauthenticationtype](#) on page 4-214
- [ldapbasedn](#) on page 4-215
- [ldapbinddn](#) on page 4-216
- [ldapdirectory](#) on page 4-217
- [ldapntlmdomain](#) on page 4-218
- [ldappassword](#) on page 4-219
- [ldapserversaddress](#) on page 4-220
- [ldapserversport](#) on page 4-221
- [ldapsrlenabled](#) on page 4-222
- [ldapusername](#) on page 4-223

## SNMP Commands

- [enablesnmp](#) on page 4-125
- [snmpadmin](#) on page 4-310
- [snmpcommunity](#) on page 4-311
- [snmpconsoleip](#) on page 4-312
- [snmplocation](#) on page 4-313
- [snmpsystemdescription](#) on page 4-314
- [snmptrapversion](#) on page 4-315

## OCS Commands

- [ocsdirectory](#) on page 4-260

## LAN, WAN, and IP Commands

### H323 Commands

- [clientvalidatepeercert](#) on page 4-73
- [dynamicbandwidth](#) on page 4-115
- [e164ext](#) on page 4-116

- [enablersvp](#) on page 4-124
- [h323name](#) on page 4-170
- [ipdialspeed](#) on page 4-194
- [natconfig](#) on page 4-246
- [nath323compatible](#) on page 4-247
- [usepathnavigator](#) on page 4-336

## Gatekeeper Commands

- [gatekeeperip](#) on page 4-144
- [usegatekeeper](#) on page 4-335

## Gateway Commands

- [gatewayareacode](#) on page 4-145
- [gatewayareacode](#) on page 4-145
- [gatewayext](#) on page 4-147
- [gatewaynumber](#) on page 4-148
- [gatewaynumbertype](#) on page 4-149
- [gatewayprefix](#) on page 4-150
- [gatewaysetup](#) on page 4-151
- [gatewaysuffix](#) on page 4-152
- [numdigitsdid](#) on page 4-258
- [numdigitsext](#) on page 4-259

## LAN and WAN Commands

- [defaultgateway](#) on page 4-92
- [dhcp](#) on page 4-94
- [dns](#) on page 4-110
- [getconfiguredipaddress](#) on page 4-159
- [hostname](#) on page 4-183
- [ipv6addrmode](#) on page 4-198
- [ipv6globaladdress](#) on page 4-199
- [ipv6defaultgateway](#) on page 4-200
- [ipv6linklocal](#) on page 4-201
- [ipv6sitelocal](#) on page 4-202
- [ipaddress](#) on page 4-193
- [ipstat](#) on page 4-203
- [lanport](#) on page 4-213
- [subnetmask](#) on page 4-321

- [wanipaddress](#) on page 4-363
- [webport](#) on page 4-365

## Network and QoS Commands

- [destunreachabletx](#) on page 4-93
- [diffservaudio](#), [diffservfec](#), [diffservvideo](#) on page 4-100
- [echoreply](#) on page 4-119
- [enablefirewalltraversal](#) on page 4-120
- [icmpoutpacketrates](#) on page 4-185
- [ignoreredirect](#) on page 4-186
- [ipprecaudio](#), [ipprefec](#), [ipprecvideo](#) on page 4-197
- [mtumode](#) on page 4-242
- [mtusize](#) on page 4-243
- [ntpmode](#) on page 4-254
- [ntpserver](#) on page 4-256
- [ntpsecondaryserver](#) on page 4-255
- [systemsetting telnetenabled](#) on page 4-324
- [tcpports](#) on page 4-325
- [typeofservice](#) on page 4-331
- [udpports](#) on page 4-332
- [usefixedports](#) on page 4-334
- [webmonitoring](#) on page 4-364

## Network Security Commands

- [incompleterevoationcheck](#) on page 4-192
- [loginwindowduration](#) on page 4-227
- [servvalidatepeercert](#) on page 4-301
- [sessionsenabled](#) on page 4-303
- [sslverificationdepth](#) on page 4-320
- [whitelistenabled](#) on page 4-366

## H320, POTS and Miscellaneous Network Commands

### ISDN - Global Commands

- [areacode](#) on page 4-29
- [dialchannels](#) on page 4-99

- [isdnareacode](#) on page 4-204
- [isdncountrycode](#) on page 4-205
- [isdndialingprefix](#) on page 4-206
- [isdndialspeed](#) on page 4-207
- [isdnum](#) on page 4-209
- [isdnswitch](#) on page 4-210

## ISDN - BRI Commands

- [bri1enable, bri2enable, bri3enable, bri4enable](#) on page 4-38
- [briallenable](#) on page 4-39
- [spidnum](#) on page 4-317

## ISDN - PRI Commands

- [pricallbycall](#) on page 4-271
- [prichannel](#) on page 4-272
- [pricsu](#) on page 4-274
- [pridialchannels](#) on page 4-275
- [priintlprefix](#) on page 4-276
- [prilinebuildout](#) on page 4-277
- [prilinesignal](#) on page 4-278
- [prinumberingplan](#) on page 4-279
- [prioutsideline](#) on page 4-280
- [priswitch](#) on page 4-281

## V35 Commands

- [cts](#) on page 4-88
- [dcd](#) on page 4-90
- [dcdfilter](#) on page 4-91
- [dsr](#) on page 4-111
- [dsranswer](#) on page 4-112
- [dtr](#) on page 4-113
- [h331audiomode](#) on page 4-171
- [h331dualstream](#) on page 4-172
- [h331framerate](#) on page 4-173
- [h331videoformat](#) on page 4-174
- [h331videoprotocol](#) on page 4-175
- [rs366dialing](#) on page 4-295
- [rt](#) on page 4-296

- [rts](#) on page 4-297
- [st](#) on page 4-319
- [v35broadcastmode](#) on page 4-339
- [v35dialingprotocol](#) on page 4-340
- [v35num](#) on page 4-341
- [v35portsused](#) on page 4-343
- [v35prefix](#) on page 4-344
- [v35profile](#) on page 4-345
- [v35suffix](#) on page 4-346

## POTS Commands

- [roomphonenumber](#) on page 4-291
- [teleareacode](#) on page 4-327
- [telenumber](#) on page 4-328

## Miscellaneous Network Commands

- [advnetstats](#) on page 4-15
- [linestate](#) on page 4-224
- [netstats](#) on page 4-249
- [nonotify](#) on page 4-250
- [notify](#) on page 4-251

## Video and Audio Commands

### Audio Commands

- [audiometer](#) on page 4-30
- [audiotransmitlevel](#) on page 4-32
- [echocanceller](#) on page 4-118
- [enablekeyboardnoisereduction](#) on page 4-121
- [enablelivemusicmode](#) on page 4-122
- [mute](#) on page 4-244
- [nonotify](#) on page 4-250
- [notify](#) on page 4-251
- [soundeffectsvolume](#) on page 4-316
- [vcaudioout](#) on page 4-351
- [volume](#) on page 4-357

- [vortex](#) on page 4-359

## Content Commands

- [autoshowcontent](#) on page 4-35
- [camera](#) on page 4-65
- [contentauto](#) on page 4-84
- [vcbutton](#) on page 4-348

## Camera Control/Input Select Commands

- [camera](#) on page 4-65
- [farcontrolnearcamera](#) on page 4-133
- [preset](#) on page 4-269

## Camera Input Setting Commands

- [backlightcompensation](#) on page 4-36
- [camera](#) on page 4-65
- [cameradirection](#) on page 4-69
- [camerainput](#) on page 4-70
- [configparam](#) on page 4-79
- [nonotify](#) on page 4-250
- [notify](#) on page 4-251

## Monitor Video Output Setting Commands

- [configdisplay](#) on page 4-77
- [configpresentation](#) on page 4-80
- [contentsplash](#) on page 4-85
- [contentvideoadjustment](#) on page 4-86
- [dualmonitor](#) on page 4-114
- [monitor1 \(deprecated\)](#) on page 4-235
- [monitor1screensaveroutput](#) on page 4-236
- [monitor2 \(deprecated\)](#) on page 4-237
- [monitor2screensaveroutput](#) on page 4-238
- [numberofmonitors \(deprecated\)](#) on page 4-257
- [peoplevideoadjustment](#) on page 4-264
- [pip](#) on page 4-266
- [vcrecordsource](#) on page 4-352



## Registration Commands

- [all register](#) on page 4-19
- [all unregister](#) on page 4-21
- [audiotransmitlevel](#) on page 4-32
- [callstate](#) on page 4-62
- [camera](#) on page 4-65
- [chaircontrol](#) on page 4-71
- [configchange \(deprecated\)](#) on page 4-76
- [linestate](#) on page 4-224
- [listen](#) on page 4-225
- [mute](#) on page 4-244
- [nonotify](#) on page 4-250
- [notify](#) on page 4-251
- [pip](#) on page 4-266
- [preset](#) on page 4-269
- [registerall \(deprecated\)](#) on page 4-284
- [screen](#) on page 4-298
- [sysinfo](#) on page 4-322
- [unregisterall \(deprecated\)](#) on page 4-333
- [vcbutton](#) on page 4-348
- [volume](#) on page 4-357

## System Commands

### System Setting Commands

- [allowabkchanges](#) on page 4-22
- [allowcamerapresetssetup](#) on page 4-23
- [alldialing](#) on page 4-24
- [allowmixedcalls](#) on page 4-25
- [allowusersetup](#) on page 4-26
- [confirmdiradd](#) on page 4-82
- [confirmdiradd](#) on page 4-83
- [country](#) on page 4-87
- [daylightsavings](#) on page 4-89
- [gdsdirectory](#) on page 4-153
- [language](#) on page 4-212
- [remotemonenable](#) on page 4-287

- [rs232 baud, rs232port1 baud](#) on page 4-292
- [rs232 mode, rs232port1 mode](#) on page 4-293
- [setpassword](#) on page 4-305
- [sleeptext](#) on page 4-308
- [sleeptime](#) on page 4-309
- [systemname](#) on page 4-323
- [techsupport](#) on page 4-326
- [timediffgmt](#) on page 4-330
- [useroompassword](#) on page 4-338

## Query Commands for System Information

- [serialnum](#) on page 4-300
- [sysinfo](#) on page 4-322
- [version](#) on page 4-353
- [whoami](#) on page 4-367

## Diagnostic Commands

- [colorbar](#) on page 4-75
- [generatetone](#) on page 4-156
- [nearloop](#) on page 4-248
- [reboot](#) on page 4-282

## User Interface and System Display/Sound Commands

### Sound Setting Commands

- [alertusertone](#) on page 4-17
- [alertvideotone](#) on page 4-18
- [keypadaudioconf](#) on page 4-211

### Display Setting Commands

- [directory](#) on page 4-101
- [displayglobaladdresses](#) on page 4-104
- [displaygraphics](#) on page 4-105
- [displayipext](#) on page 4-106
- [displayipisdninfo](#) (deprecated) on page 4-107

- [farnametimedisplay](#) on page 4-134
- [get screen](#) on page 4-157
- [homequality](#) on page 4-178
- [homemultipoint \(deprecated\)](#) on page 4-179
- [homerecentcalls](#) on page 4-180
- [homesystem](#) on page 4-181
- [homesystemname](#) on page 4-182
- [ipisdninfo](#) on page 4-196
- [localdatetime](#) on page 4-226
- [marqueedisplaytext](#) on page 4-228
- [popupinfo](#) on page 4-268
- [screen](#) on page 4-298
- [screencontrol](#) on page 4-299
- [showpopup](#) on page 4-306

## IR Emulation Commands and Control

- [button](#) on page 4-40
- [remotecontrol](#) on page 4-286

## Miscellaneous Commands

- [!](#) on page 4-7
- [amxdd](#) on page 4-27
- [cmdecho](#) on page 4-74
- [displayparams](#) on page 4-108
- [echo](#) on page 4-117
- [exit](#) on page 4-128
- [exportdirectory](#) on page 4-129
- [exportprofile](#) on page 4-131
- [history](#) on page 4-177
- [importdirectory](#) on page 4-187
- [importprofile](#) on page 4-190
- [oobcomplete](#) on page 4-262
- [pause](#) on page 4-263
- [resetsystem](#) on page 4-289
- [session](#) on page 4-302
- [sleep](#) on page 4-307
- [telnetechoeol](#) on page 4-329

- [waitfor](#) on page 4-361
- [wake](#) on page 4-362

---

# Index

## Symbols

! command 4-7

## A

abk (deprecated) command 4-9

account number

command for requiring 4-288

command for setting 4-304

command for validating 4-347

adapters

audio 2-54

BNC to S-Video 2-18

HDCI PowerCam Plus 2-35

HDCI Sony 2-40

HDCI Sony VISCA 2-39

HDCI VISCA 2-36

microphone 2-49

null modem 2-62

S-Video to RCA 2-19

V.35/RS-449/RS-530 2-8

addrbook command 4-12

address

LDAP server 4-220

addressdisplayedingab command 4-14

advnetstats command 4-15

alertusertone command 4-17

alertvideotone command 4-18

all register command 4-19

all unregister command 4-21

allowabkchanges command 4-22

allowcamerapresetssetup command 4-23

allowdialing command 4-23, 4-24

allowmixedcalls command 4-25

allowusersetup command 4-26

AMX, Device Discovery 4-27

amxdd command 4-27

answer command 4-28

API

session command 4-302

using over LAN 3-4

using over RS-232 3-1

API resources 3-5

contact information 3-5

controller code downloads 3-4

Knowledge Base 3-5

video test numbers 3-5

area code

command for BRI 4-29

command for gateway 4-145

command for ISDN 4-204

command for system 4-327

areacode command 4-29

attenuator, subwoofer volume 2-58

audio

cable 2-54, 2-55

connector, balanced 2-57

integration 1-21

audio mode, command for H.331 calls 4-171

audio out, VCR 4-351

audiometer command 4-30

audiotransmitlevel command 4-32

authentication type

LDAP server 4-214

auto answer, command for multipoint 4-239

auto mode, command for multipoint display 4-240

autoanswer command 4-34

## B

B channel status messages B-1

back panels C-1

backlightcompensation command 4-36

bandwidth 4-354

base DN

LDAP server 4-215

basicmode command 4-37

baud rate, command to set RS-232 port 4-292

bind DN

LDAP server 4-216

BNC adapter 2-18

BNC to S-Video cable 2-17  
 BRI cable 2-5  
 briallenable command 4-39  
 brienable commands 4-38  
 broadcaster setting 4-72  
 broadcasting, V.35 command 4-339  
 button command 4-40

## C

### cables

analog telephone 2-7  
 audio 2-54, 2-55  
 BNC 2-24  
 BNC monitor 2-22  
 BNC to S-Video 2-17  
 BRI 2-5  
 CAT 5e LAN 2-1  
 Component A/V Monitor 2-26  
 composite video 2-32  
 DVI 2-21, 2-22, 2-23  
 DVI Monitor 2-25  
 DVI to VGA 2-16, 2-20  
 HDCI 2-27, 2-30, 2-34, 2-35, 2-36, 2-37, 2-39, 2-40  
 HDMI monitor 2-21  
 HDX component video 2-24  
 ISDN 2-5  
 LAN 2-3  
 microphone 2-48, 2-49, 2-51  
 microphone host 2-46  
 Polycom HDX component monitor 2-23  
 POTS 2-7  
 PowerCam break-out 2-42  
 PowerCam control 2-43  
 PowerCam Plus primary 2-33  
 PowerCam primary 2-41  
 PRI 2-5  
 RCA 2-24  
 RS-366 2-10, 2-11, 2-13  
 RS-449 2-11  
 RS-530 2-13  
 serial 2-60  
 S-Video 2-16  
 V.35 2-9, 2-10  
 VCR/DVD composite 2-31  
 VISCA 2-43  
 Vortex 2-56  
 calendardomain command 4-44  
 calendarmeetings command 4-45  
 calendarpasword command 4-50  
 calendarplaytone command 4-51  
 calendarregisterwithserver 4-52

calendarregisterwithserver command 4-52  
 calendarremindertime command 4-53  
 calendarresource command 4-54  
 calendarserver command 4-55  
 calendarshowpvtmeetings 4-56  
 calendarshowpvtmeetings command 4-56  
 call quality, command for access 4-178  
 call speed  
     command for Internet 4-230  
     command for ISDN 4-231  
     international calls, maximum speed 4-229  
     maximum command 4-229  
 call status, displaying B-1  
 calldetail command 4-59  
 calldetailreport command 4-60  
 callinfo command 4-61  
 callstate command 4-62  
 callstats command 4-64  
 camera command 4-65  
 camera presets, command to allow 4-23  
 cameradirection command 4-69  
 camerainput command 4-70  
 cameras, connecting  
     Polycom EagleEye 1080 camera 1-9  
     PowerCam as main camera 1-12  
     PowerCam as secondary camera 1-13, 1-14  
     PowerCam Plus as main camera 1-15  
     PowerCam Plus as second camera 1-16, 1-18  
     Sony BRC-H700 PTZ camera 1-18  
     Sony EVI-HD1 camera 1-9  
     Sony PTZ camera 1-17  
     Vaddio 300 PTZ camera 1-20  
     Vaddio 70 and 100 PTZ camera 1-19  
 Canon PTZ camera 1-19  
 chaircontrol command 4-71  
 city, command for Global Management System 4-160  
 clientvalidatepeercert command 4-73  
 cmdecho command 4-74  
 colorbar command 4-75  
 command response syntax 4-3  
 command, configuring parameters 4-79  
 composite video cable 2-32  
 configchange command 4-76  
 configdisplay command 4-77  
 configparam command 4-79  
 configpresentation command 4-80  
 configuration settings 4-79

- configuring parameters 4-79
- confirmdiradd command 4-82
- confirmdiridel command 4-83
- connections, back panel C-1
- connectors
  - balanced audio 2-57
  - subwoofer 2-58
- contact information 3-5
- contact, command for Global Management System 4-161, 4-164
- contentauto command 4-84
- contentsplash command 4-85
- contentvideoadjustment command 4-86
- control
  - flow 4-5
- controller code downloads 3-4
- conventions, syntax 4-2
- country code
  - command for gateway 4-146
  - command for ISDN 4-205
- country command 4-87
- country, command for Global Management System 4-165
- Crestron systems 2-62, 3-4
- cts command 4-88

## D

- date and time, command to display 4-226
- daylightsavings command 4-89
- dcd command 4-90
- dcdfilter command 4-91
- defaultgateway command 4-92
- delay between commands 4-5
- destunreachabletx command 4-93
- Device Discovery, AMX 4-27
- dhcp command 4-94
- dial command 4-95
- dialchannels command 4-99
- dialing
  - command for allowing 4-23, 4-24
  - command for RS-366 4-295
- dialing order
  - command for video calls 4-355
  - command for voice calls 4-356
- dialing prefix
  - command for PRI international 4-276
  - command for V.35 4-344
- dialing speed

- command for IP 4-194
- command for ISDN 4-207
- dialing tones, generating 4-155
- diffservaudio command 4-100
- diffservfec command 4-100
- diffservvideo command 4-100
- directory
  - command for allowing changes 4-22
  - command for confirming additions 4-82
  - command for confirming deletions 4-83
- directory command 4-101
- discussion mode, command for multipoint display 4-240
- display command 4-102
- displayglobaladdresses command 4-104
- displaygraphics command 4-105
- displayipext command 4-106
- displayipisdninfo command 4-107
- displayparams command 4-108
- dns command 4-110
- do not disturb setting
  - for multipoint calls 4-239
  - for point-to-point calls 4-34
- downloads, controller code 3-4
- dsr command 4-111
- dsranswer command 4-112
- DTMF dialing tones, generating 4-155
- dtr command 4-113
- dual stream setting, command for H.331 calls 4-172
- dualmonitor command 4-114
- DVI cable 2-20
- DVI to VGA cable 2-16
- dynamicbandwidth command 4-115

## E

- e164ext command 4-116
- echo command 4-117
- echocanceller command 4-118
- echoreply command 4-119
- ELMO PTZ camera 1-17
- email contact, command for Global Management System 4-161
- enablefirewalltraversal command 4-120
- enablekeyboardnoisereduction command 4-121
- enablelivemusicmode command 4-122
- enablepvec command 4-123
- enablersvp command 4-124

enablesnmp command 4-125  
 encryption command 4-126  
 exit command 4-128  
 exportdirectory command 4-129  
 exportprofile command 4-131  
 extension, command for gateway 4-147

## F

farcontrolnearcamera command 4-133  
 farnametimedisplay command 4-134  
 fax, command for Global Management System 4-162  
 firewall traversal, H.460 traversal 4-120  
 flash command 4-135  
 flow control 4-5  
 frame rate, command for H.331 calls 4-173  
 fullscreen mode, command for multipoint display 4-240

## G

gabk command 4-136  
 gabpassword command 4-139  
 gabsverip command 4-140  
 gaddrbook 4-141  
 gaddrbook command 4-141  
 gatekeeper, command for mode 4-335  
 gatekeeperip command 4-144  
 gateway, command for default 4-92  
 gatewayareacode command 4-145  
 gatewaycountrycode command 4-146  
 gatewayext command 4-147  
 gatewaynumber command 4-148  
 gatewaynumbertype command 4-149  
 gatewayprefix command 4-150  
 gatewaysetup command 4-151  
 gatewaysuffix command 4-152  
 GDS  
     command for display 4-104  
     command for server 4-140  
     password 4-139  
 gdsdirectory command 4-153  
 gendial command 4-154  
 gendialtonepots command 4-155  
 generatetone command 4-156  
 get screen command 4-157  
 getcallstate command 4-158  
 getconfiguredipaddress command 4-159

global directory  
     displaying address in 4-14  
     maximum call speed 4-229, 4-230, 4-231  
     returning entries 4-136  
 Global Management System  
     command for email 4-161  
     command for support number 4-167  
 gmscopy command 4-160  
 gmscontactemail command 4-161  
 gmscontactfax command 4-162  
 gmscontactnumber command 4-163  
 gmscontactperson command 4-164  
 gmscopy command 4-165  
 gmsstate command 4-166  
 gmstechsupport command 4-167  
 gmsurl command 4-168

## H

H.460 firewall traversal 4-120  
 h239enable command 4-169  
 h323name command 4-170  
 h331audiomode command 4-171  
 h331dualstream command 4-172  
 h331framerate command 4-173  
 h331videoframe command 4-174  
 h331videoprotocol command 4-175  
 hangup command 4-176  
 HDCI analog camera cable 2-27  
 HDCI camera break-out cable 2-30  
 HDCI Polycom EagleEye 1080 Camera cable 2-37  
 HDCI PowerCam 2-34  
 HDCI PowerCam Plus adapter 2-35, 2-36, 2-39, 2-40  
 history command 4-177  
 history list 4-7  
 home screen IP and ISDN information display 4-196  
 homequality command 4-178  
 homemultipoint command 4-179  
 homerecentcalls command 4-180  
 homesystem command 4-181  
 homesystemname command 4-182  
 hostname command 4-183

## I

icmpoutpacketrates command 4-185  
 icons, command for displaying 4-105



- ignoreredirect command 4-186
- importdirectory command 4-187
- importprofile command 4-190
- incompleterevoationcheck command 4-192
- InstantDesigner, recommendation 1-25
- inverted signal
  - command for CTS 4-88
  - command for DCD 4-90
  - command for DSR 4-111
  - command for DTR 4-113
  - command for RT 4-296
  - command for RTS 4-297
  - command for ST 4-319
- IP command for line state changes 4-224
- IP dialing speed 4-194
- IP information display on home screen 4-196
- ipaddress command 4-193
- ipdialspeed command 4-194
- ipisdninfo command 4-196
- ipprecaudio command 4-197
- ipprecfecc command 4-197
- ipprecvideo command 4-197
- ipstat command 4-203
- ipv6addrmode command 4-198
- ipv6defaultgateway command 4-200
- ipv6globaladdress command 4-199
- ipv6linklocal command 4-201
- ipv6sitelocal command 4-202
- IR codes C-3
- ISDN cable 2-5
- ISDN command for line state changes 4-224
- ISDN dialing speed 4-207
- ISDN information display on home screen 4-196
- isdnareacode command 4-204
- isdncountrycode command 4-205
- isdndialingprefix command 4-206
- isdndialspeed command 4-207
- isdnnum command 4-209
- isdnswitch command 4-210
  
- K**
- keypadaudioconf command 4-211
- Knowledge Base 3-5
  
- L**
- LAN cable 2-3
- LAN CAT 5e cable 2-1
- language command 4-212
  
- lanport command 4-213
- LDAP
  - SSL encryption state 4-222
- LDAP server
  - address 4-220
  - authentication type 4-214
  - base DN 4-215
  - bind DN 4-216
  - password 4-219
  - port 4-221
- ldapauthenticationtype command 4-214
- ldapbasedn command 4-215
- ldapbinddn command 4-216
- ldapdirectory command 4-217
- ldapntlm domain command 4-218
- ldappassword command 4-219
- ldapserversaddress command 4-220
- ldapserversport command 4-221
- ldapsrlenabled command 4-222
- ldapusername command 4-223
- linestate command 4-224
- listen command 4-225
- localdatetime command 4-226
- loginwindow command 4-227
  
- M**
- marqueedisplaytext command 4-228
- maxgabinternationalcallspeed command 4-229
- maxgabinternetcallspeed command 4-230
- maxgabisdncallspeed command 4-231
- maxtimeincall command 4-232
- mcupassword command 4-233
- microphone host cable 2-46
- monitor
  - command for split-screen 4-114
  - content presentation 4-80
- monitor1 command 4-235
- monitor1screensaveroutput command 4-236, 4-238
- monitor2 command 4-237
- mpautoanswer command 4-239
- mpmode command 4-240
- mtumode command 4-242
- mtusize command 4-243
- multipoint button, command for access 4-179
- multipoint display mode, command for setting 4-240
- mute command 4-244

muteautoanswer command 4-245

## N

natconfig command 4-246

nath323compatible command 4-247

nearloop command 4-248

netstats command 4-249

nonotify command 4-250

notifications, line state changes 4-224

notify command 4-251

ntpmode command 4-254

ntpsecondaryserver command 4-255

ntpserver command 4-256

null modem adapter 2-62

numberofmonitors command 4-257

numdigitsdid command 4-258

numdigitsext command 4-259

## O

oobcomplete command 4-262

## P

parameters, configuring 4-79

parameters, setting multiple 4-79

password

command for GDS 4-139

LDAP server 4-219

remote access 4-338

room 4-338

PathNavigator, command for multipoint calls 4-336

pause command 4-263

People 2-45

People+Content, H.239 command 4-169

peoplevideoadjustment command 4-264

phone call, command to answer 4-28

phone command 4-265

phone flash command 4-135

phone number

command for Global Management System contact 4-163

command for Global Management System technical support 4-326

command for room 4-291

command for system 4-328

pip command 4-266

polling 4-5

Polycom 2-4, 2-15, 2-50

Polycom CMA system, command for multipoint calls 4-336

Polycom EagleEye 1080 Camera cable 2-37

popupinfo command 4-268

port

LDAP server 4-221

port settings

command for fixed 4-334

command for LAN 4-213

command for TCP 4-325

command for the system's Web interface 4-365

command for UDP 4-332

POTS cable 2-7

POTS line, generating DTMF dialing tones 4-155

PowerCam

break-out cable 2-42

connecting as main camera 1-12

connecting as secondary camera 1-13, 1-14

control cable 2-43

primary cable 2-41

PowerCam HDCI 2-34

PowerCam Plus

connecting as main camera 1-15

connecting as second camera 1-16, 1-18

primary cable 2-33

PowerCam Plus HDCI adapter 2-35, 2-36, 2-39, 2-40

presentation mode, command for multipoint display 4-240

preset command 4-269

PRI cable 2-5

PRI channel information 4-272

PRI port assignments 2-6

pricallbycall command 4-271

prichannel command 4-272

pricsu command 4-274

pridialchannels command 4-275

priintlprefix command 4-276

prilinebuildout command 4-277

prilinesignal command 4-278

prinumberingplan command 4-279

prioutsideline command 4-280

priswitch command 4-281

processing

commands 4-5

PVEC, command to enable 4-123

## Q

quality preference 4-354

**R**

RCA adapter 2-19  
 ReadManager, command for multipoint calls 4-336  
 reboot command 4-282  
 recent calls button, command for access 4-180  
 recentcalls command 4-283  
 registerall command 4-284  
 registerthissystem command 4-285  
 registrations 4-5  
 remote control IR codes C-3  
 remotecontrol command 4-286  
 remotemonenable command 4-287  
 requireacctnumtodial command 4-288  
 resetsystem command 4-289  
 resources, API 3-5  
 response  
   syntax 4-3  
 restarting, commands that restart the system without a prompt 4-5  
 room design A-1  
 room layout examples 1-1-1-3  
 roomphonenumber command 4-291  
 RS-232  
   interface  
     configuring 3-1  
     starting an API session 3-3  
 rs232 baud command 4-292  
 rs232 mode command 4-293  
 rs232port1 baud command 4-292  
 rs232port1 mode command 4-293  
 RS-366 cable 2-10, 2-11, 2-13  
 rs366dialing command 4-295  
 RS-449 cable 2-11  
 RS-530 cable 2-13  
 RSVP, command to enable 4-124  
 rt command 4-296  
 rts command 4-297

**S**

screen command 4-298  
 screen saver setting 4-236, 4-238  
 screencontrol command 4-299  
 Secure RS-232 Interface API Permissions D-1  
 sending commands  
   not during call establishment 4-5  
 serial

  cable 2-60  
 serialnum command 4-300  
 server  
   command for DNS 4-110  
   command for GDS 4-140  
   command for NTP 4-256  
 servervalidatepeer cert command 4-301  
 session command 4-302  
 sessionsenabled command 4-303  
 setaccountnumber command 4-304  
 setpassword command 4-305  
 showpopup command 4-306  
 sleep command 4-307  
 sleeptext command 4-308  
 sleeptime command 4-309  
 SNMP, command for enabling 4-125  
 snmpadmin command 4-310  
 snmpcommunity command 4-311  
 snmpconsoleip command 4-312  
 snmplocation command 4-313  
 snmpsystemdescription command 4-314  
 snmptrapversion command 4-315  
 soundeffects volume command 4-316  
 SoundStructure  
   connecting 1-26  
 speaker test, command for 4-156  
 spidnum command 4-317  
 SSL encryption state  
   LDAP 4-222  
 sslverificationdepth command 4-320  
 st command 4-319  
 statistics  
   command for advanced network 4-15  
   command for IP 4-203  
   command for network 4-249  
 status messages, B channel B-1  
 status notifications, command for registering 4-322  
 STD code, command for ISDN 4-204  
 subnetmask command 4-321  
 subwoofer volume attenuator 2-58  
 S-Video  
   adapter 2-18, 2-19  
   cable 2-16, 2-17  
 syntax  
   command response 4-3  
   conventions 4-2  
 sysinfo command 4-322

system button, command for access 4-181  
systemname command 4-323  
systemsetting telnetenabled command 4-324

## T

tcpports command 4-325  
technical support 3-5  
technical support, command for Global Management System 4-167  
techsupport command 4-326  
teleareacode command 4-327  
telenium command 4-328  
Telnet session 3-4  
telnetechoeol command 4-329  
test numbers, video 3-5  
time in call, command 4-232  
timediffgmt command 4-330  
tones, command for testing 4-156  
typeofservice command 4-331

## U

udpports command 4-332  
unregisterall command 4-333  
URL, command for Global Management System 4-168  
usefixedports command 4-334  
usegatekeeper command 4-335  
usepathnavigator command 4-336  
user settings, command for access 4-26  
useroompassword command 4-338

## V

V.35 cable 2-9, 2-10  
V.35/RS-449/RS-530 adapter 2-8  
v35broadcastmode command 4-339  
v35dialingprotocol command 4-340  
v35num command 4-341  
v35portsused command 4-343  
v35prefix command 4-344  
v35profile command 4-345  
v35suffix command 4-346  
validateacctnum command 4-347  
vcbbutton command 4-348  
VCR audio out, command for controlling 4-351  
VCR/DVD composite cable 2-31  
vcraudioout command 4-351  
vcrrecordsource command 4-352

version command 4-353  
VGA  
  cable 2-20  
vgaqualitypreference  
  command for video calls 4-354  
vgaqualitypreference command 4-354  
Video 2-16  
video call, command to answer 4-28  
video integration 1-5  
video protocol, command for H.331 calls 4-175  
video quality 4-354  
video test numbers 3-5  
videocallorder command 4-355  
VISCA cable 2-43  
Visual Concert  
  command for controlling 4-348  
voicecallorder command 4-356  
volume command 4-357  
Vortex  
  cable 2-56  
  connecting 1-25  
vortex command 4-359

## W

waitfor command 4-361  
wanipaddress command 4-363  
webmonitoring command 4-364  
webport command 4-365  
whitelistenabled command 4-366  
whoami command 4-367