

Figure 1-13 Remove the cassette tray

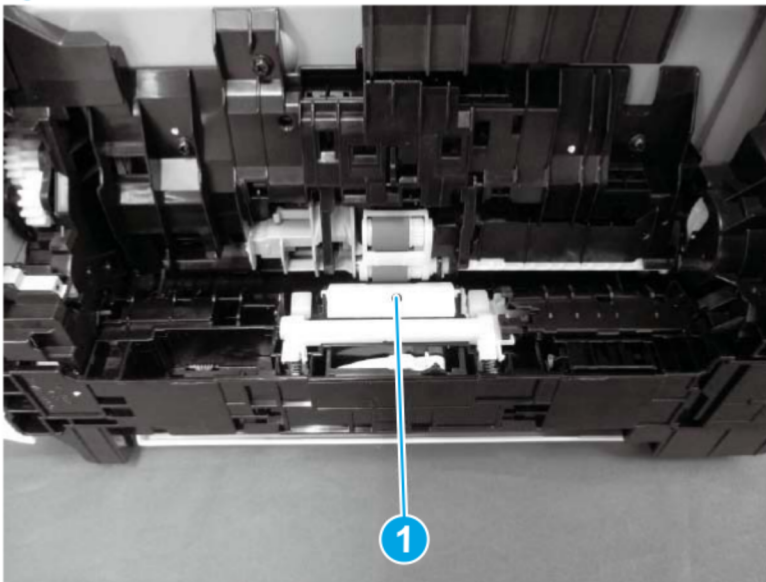


Step 2: Remove the cassette tray separation roller assembly

1. Turn the printer front side up, so that it is resting on the rear door or duplexer. Remove the separation roller cover (callout 1).

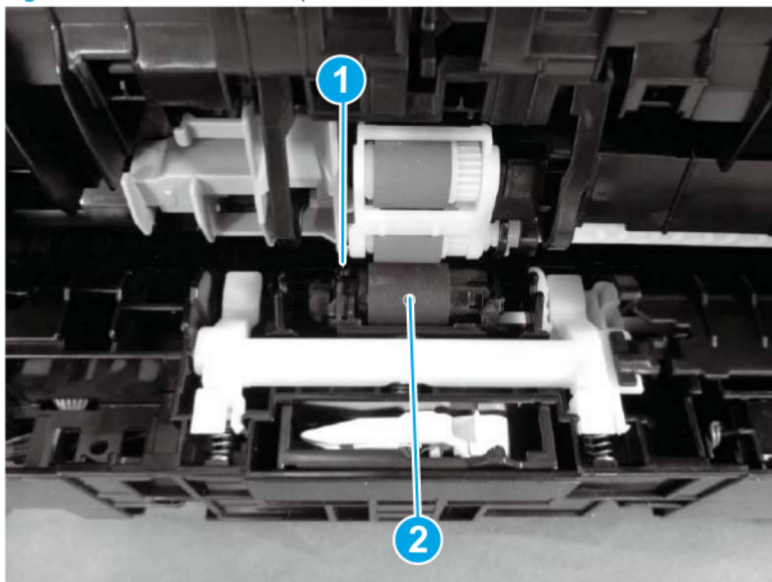
 **TIP:** Use a small, flat-blade screwdriver to release the cover.

Figure 1-14 Remove the separation roller cover



2. Release one tab (callout 1), and then remove the separation roller (callout 2).

Figure 1-15 Remove the separation roller



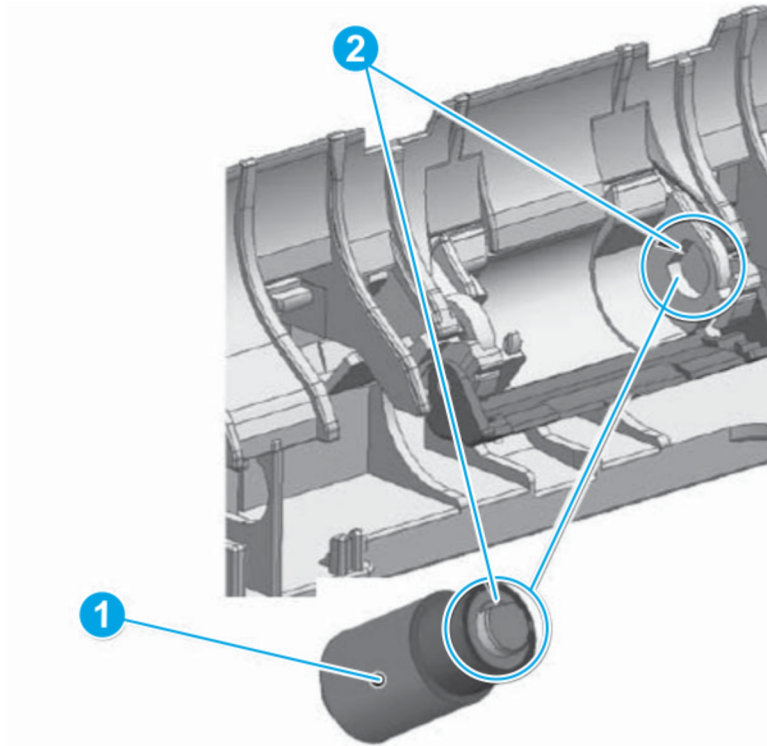
3. Reverse the removal steps to install the assembly. Also use the following special installation instructions.

 **NOTE:** Continue to reverse the removal steps to finish installing the assembly.

#### Special installation instructions: Cassette tray separation roller

- ▲ When installing the separation roller (callout 1), position the D-shaped locator on the end of the roller into the D-shaped opening on the guide (callout 2).

Figure 1-16 Install the separation roller





### Step 3: Unpack the replacement assembly

1. Dispose of the defective part.


 **NOTE:** HP recommends responsible disposal of the defective part.

<http://www8.hp.com/us/en/hp-information/environment/product-recycling.html>

2. Unpack the replacement part from the packaging.

 **CAUTION:**  Some parts are sensitive to electrostatic discharge (ESD). Always perform service work at an ESD-protected workstation or mat. If an ESD workstation or mat is not available, touch the sheet-metal chassis to provide a static ground before touching an ESD-sensitive assembly. Protect the ESD-sensitive assemblies by placing them in ESD pouches when they are out of the printer.

If the replacement part is a roller or pad, avoid touching the spongy part of it. Skin oils on the roller or pad can cause paper pickup and/or print-quality problems. HP recommends using disposable gloves when handling rollers or pads or washing your hands before touching rollers or pads.

 **IMPORTANT:** Make sure that all of the shipping materials (for example shipping tape) are removed from the replacement part prior to installation.

3. To install an assembly, reverse the removal steps.

 **NOTE:** When applicable, special installation instructions are provided for an assembly at the end of the removal procedure. Always completely read the removal instructions and follow all special installation instructions.